

Glass Architectural Hardware

ASSA ABLOY IN BRIEF

ASSA ABLOY is the global leader in door opening solutions

Since its formation in 1994, ASSA ABLOY has grown rapidly over the last 20 years, from a regional company to an international Group with around 44,000 employees.

ASSA ABLOY is represented on both mature and emerging markets worldwide with leading positions in Europe, North America and Asia Pacific.

ASSA ABLOY's leading market presence in the Asia Pacific region is based on the industry's largest and most valuable brand portfolio.

ASSA ABLOY recently acquired major stake in ENOX Hardware India Private Limited, a privately owned company with deep rooted family values.



ENOX E

ENOX in brief

ENOX as a brand is extensively used in mid level markets across all sectors of the industry like Hospitality, Commercial, Residential, Infrastructure and Healthcare. ENOX Hardware has a diversified product portfolio ranging from door controls hardware to aluminum profiles to furniture fittings but our major business churning products are Glass Architectural Hardware and Glass Sliding Solutions. With the continuous support of and untiring efforts of our in-house product management team, we've developed an entire range of sliding systems be it manual or automatic, wood or glass.

ENOX in India, started its journey from selling door hardware in 2007 and now has successfully managed to grow exponentially with about 225 employees.

Mission Statement

Superior customer service, Quality and Commitment with Profitable Growth

Vision

- To be India's leading consumer company for Glass Hardware and Sliding Solutions
- To be the company that best understands and satisfies the product, service and self-fulfillment needs of our customers.
- To offer a pleasant working environment to our employees.



SOLUTIONS FOR SMART SPACES

CONTENT

Glass Shower Fittings	001 - 051
Glass Shower Knob	052 - 054
Glass Shower Handles	055 - 057
Glass Sealing Profiles	058 - 062
Glass Sliding Shower Fittings	063 - 104
Glass Patch Fittings	105 - 156
Glass Openable Door Lock	157 - 180
Glass Sliding Door Lock	181 - 189
Glass Sliding Door Handles	190 - 194
Glass Openable Door Handles	195 - 201



Glass Architectural Hardware

Elegant and reliable solutions which offer effortless operational comfort combined with stability.



CHANGE THE WAY YOU SHOWER.

It's time to welcome state-of-the-art technology into the bathroom. It's time to expect a revolution in your showering experience. A revolution that delivers the ultimate luxury and comfort while you shower. It's the new benchmark in showering luxury. And it awaits the touch of your finger's command.

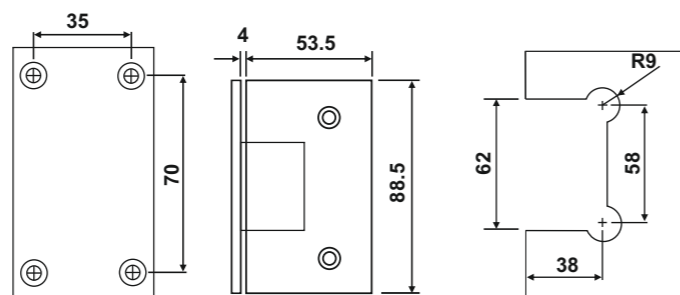
Openable Shower Solution

Glass Shower Fittings

ESH - 101 Wall to Glass



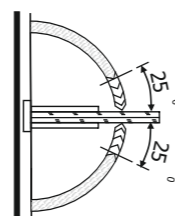
Article No.	Finish
ESH - 101	Satin Stainless Steel (SSS)
ESH - 101	Polished Stainless Steel (PSS)
ESH - 101	Rose Gold (RG) <small>NEW</small>
ESH - 101	Black Matt (BM) <small>NEW</small>



Glass cut-out top and bottom

Features :

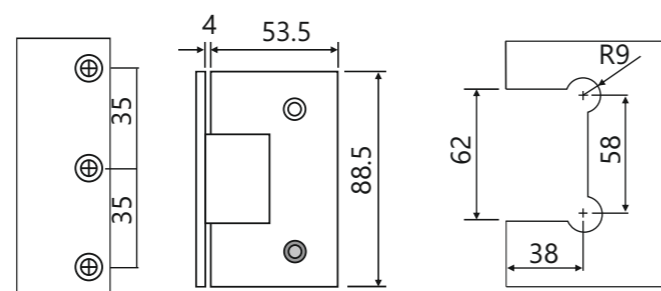
- Door Thickness : 6mm to 10mm
- Door Weight : Maximum **4.5 kgs**
- Material : Stainless Steel
- Finish : Satin Stainless Steel (SSS)
Polished Stainless Steel (PSS)

Double Action Spring
Return Door From 25° In Each Direction

ESH - 105 Wall to Glass (One Side)



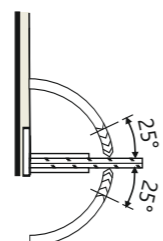
Article No.	Finish
ESH - 105	Satin Stainless Steel (SSS)
ESH - 105	Polished Stainless Steel (PSS)



Glass cut-out top and bottom

Features :

- Door Thickness : 6mm to 10mm
- Door Weight : Maximum **4.5 kgs**
- Material : Stainless Steel
- Finish : Satin Stainless Steel (SSS)
Polished Stainless Steel (PSS)

Double Action Spring
Return Door From 25° In Each Direction

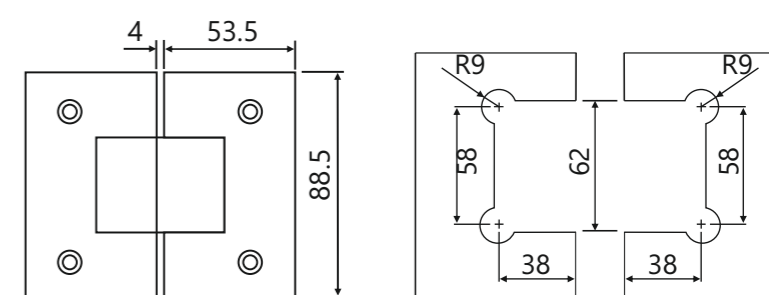
Openable Shower Solution

Glass Shower Fittings

ESH - 102 Glass to Glass 180°



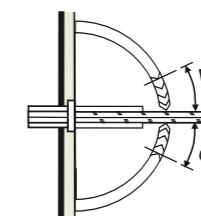
Article No.	Finish
ESH - 102	Satin Stainless Steel (SSS)
ESH - 102	Polished Stainless Steel (PSS)
ESH - 102	Rose Gold (RG) <small>NEW</small>
ESH - 102	Black Matt (BM) <small>NEW</small>



Glass cut-out top and bottom

Features :

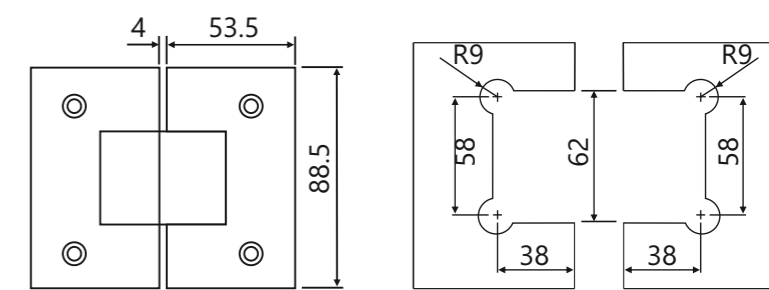
- Door Thickness : 6mm to 10mm
- Door Weight : Maximum **4.5 kgs**
- Material : Stainless Steel
- Finish : Satin Stainless Steel (SSS)
Polished Stainless Steel (PSS)

Double Action Spring
Return Door From 25° In Each Direction

ESH - 103 Glass to Glass 135°



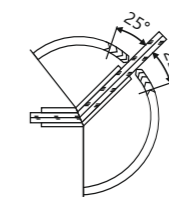
Article No.	Finish
ESH - 103	Satin Stainless Steel (SSS)
ESH - 103	Polished Stainless Steel (PSS)
ESH - 103	Rose Gold (RG) <small>NEW</small>
ESH - 103	Black Matt (BM) <small>NEW</small>



Glass cut-out top and bottom

Features :

- Door Thickness : 6mm to 10mm
- Door Weight : Maximum **4.5 kgs**
- Material : Stainless Steel
- Finish : Satin Stainless Steel (SSS)
Polished Stainless Steel (PSS)

Double Action Spring
Return Door From 25° In Each Direction

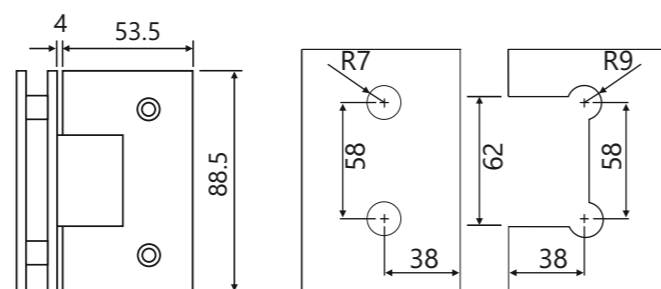
Openable Shower Solution

Glass Shower Fittings

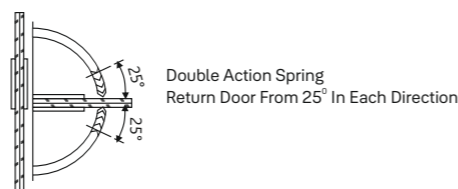
ESH - 104 A Glass to Glass 90°



Article No.	Finish
ESH - 104 A	Satin Stainless Steel (SSS)
ESH - 104 A	Polished Stainless Steel (PSS)
ESH - 104 A	Rose Gold (RG) NEW
ESH - 104 A	Black Matt (BM) NEW



Glass cut-out top and bottom

Double Action Spring
Return Door From 25° In Each Direction

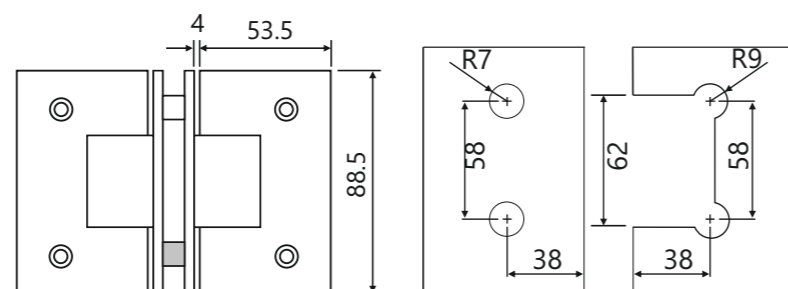
Features :

- Door Thickness : 6mm to 10mm
- Door Weight : Maximum **4.5 kgs**
- Material : Stainless Steel
- Finish : Satin Stainless Steel (SSS)
Polished Stainless Steel (PSS)

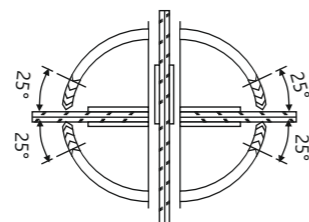
ESH - 104 B Glass to Glass



Article No.	Finish
ESH - 104 B	Satin Stainless Steel (SSS)
ESH - 104 B	Polished Stainless Steel (PSS)



Glass cut-out top and bottom

Double Action Spring
Return Door From 25° In Each Direction

Features :

- Door Thickness : 6mm to 10mm
- Door Weight : Maximum **4.5 kgs**
- Material : Stainless Steel
- Finish : Satin Stainless Steel (SSS)
Polished Stainless Steel (PSS)

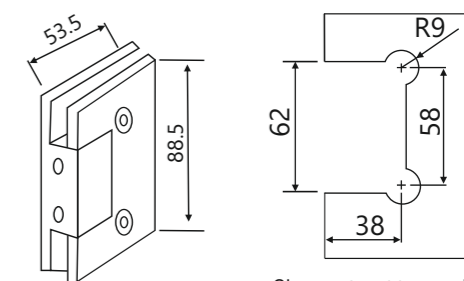
Openable Shower Solution

Glass Shower Fittings

ESH - 107 Fixed Clip



Article No.	Finish
ESH - 107	Satin Stainless Steel (SSS)
ESH - 107	Polished Stainless Steel (PSS)
ESH - 107	Rose Gold (RG) NEW
ESH - 107	Black Matt (BM) NEW



Glass cut-out top and bottom

Features :

- Door Thickness : 6mm to 10mm
- Material : Stainless Steel
- Finish : Satin Stainless Steel (SSS)
Polished Stainless Steel (PSS)





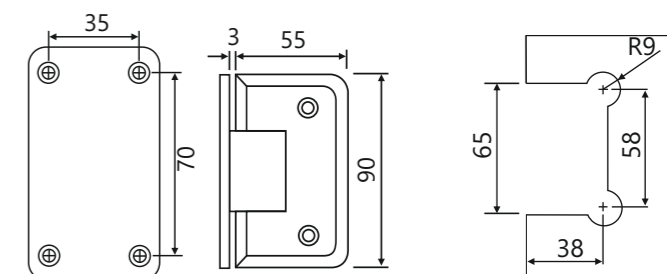
Openable Shower Solution

Glass Shower Fittings

ESH - 201 Wall to Glass



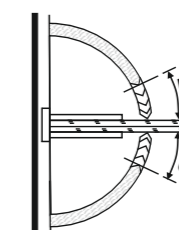
Article No.	Finish
ESH - 201	Brushed Nickel (BN)
ESH - 201	Bright Chrome Plated (CP)



Glass cut-out top and bottom

Features :

- Door Thickness : 6mm to 10mm
- Door Weight : Maximum 4.5 kgs
- Material : Brass
- Finish : Brushed Nickel (BN)
Bright Chrome Plated (CP)

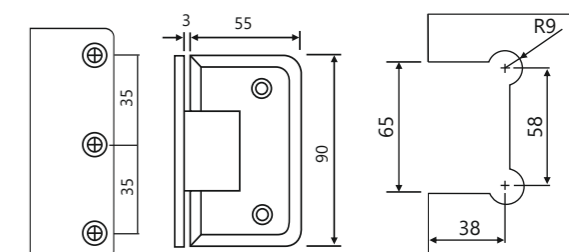


Double Action Spring
Return Door From 25° In Each Direction

ESH - 205 Wall to Glass (One Side)



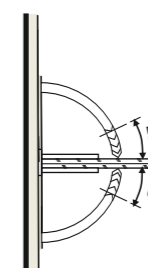
Article No.	Finish
ESH - 205	Brushed Nickel (BN)
ESH - 205	Bright Chrome Plated (CP)



Glass cut-out top and bottom

Features :

- Door Thickness : 6mm to 10mm
- Door Weight : Maximum 4.5 kgs
- Material : Brass
- Finish : Brushed Nickel (BN)
Bright Chrome Plated (CP)



Double Action Spring
Return Door From 25° In Each Direction

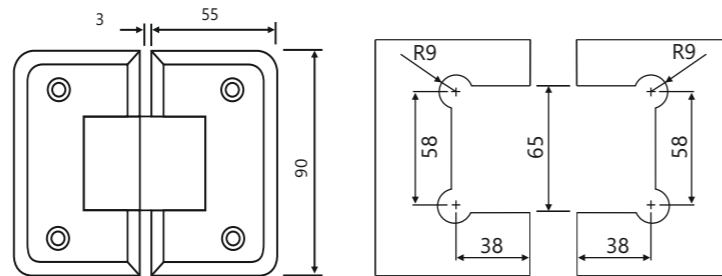
Openable Shower Solution

Glass Shower Fittings

ESH - 202 Glass to Glass 180°



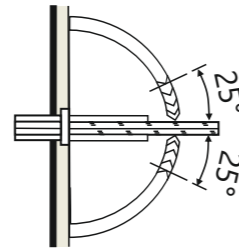
Article No.	Finish
ESH - 202	Brushed Nickel (BN)
ESH - 202	Bright Chrome Plated (CP)



Glass cut-out top and bottom

Features :

- Door Thickness : 6mm to 10mm
- Door Weight : Maximum 4.5 kgs
- Material : Brass
- Finish : Brushed Nickel (BN)
Bright Chrome Plated (CP)

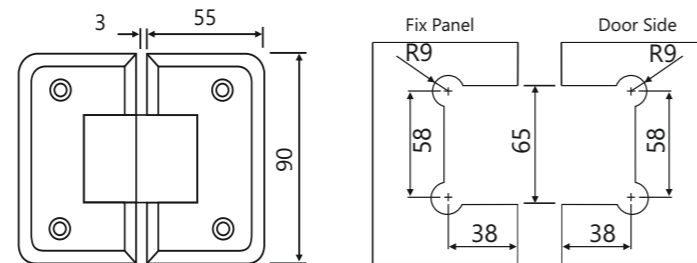


Double Action Spring
Return Door From 25° In Each Direction

ESH - 203 Glass to Glass 135°



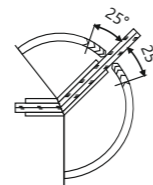
Article No.	Finish
ESH - 203	Brushed Nickel (BN)
ESH - 203	Bright Chrome Plated (CP)



Glass cut-out top and bottom

Features :

- Door Thickness : 6mm to 10mm
- Door Weight : Maximum 4.5 kgs
- Material : Brass
- Finish : Brushed Nickel (BN)
Bright Chrome Plated (CP)



Double Action Spring
Return Door From 25° In Each Direction

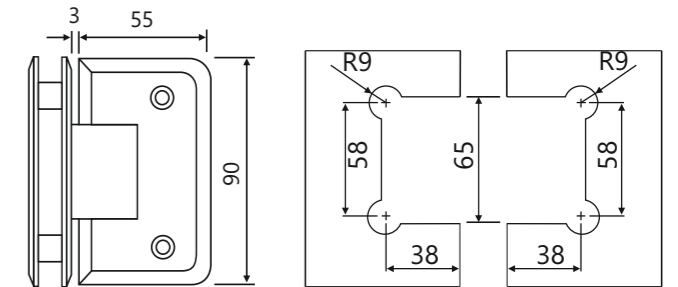
Openable Shower Solution

Glass Shower Fittings

ESH - 204 Glass to Glass 180°



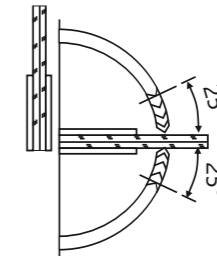
Article No.	Finish
ESH - 204	Brushed Nickel (BN)
ESH - 204	Bright Chrome Plated (CP)



Glass cut-out top and bottom

Features :

- Door Thickness : 6mm to 10mm
- Door Weight : Maximum 4.5 kgs
- Material : Brass
- Finish : Brushed Nickel (BN)
Bright Chrome Plated (CP)

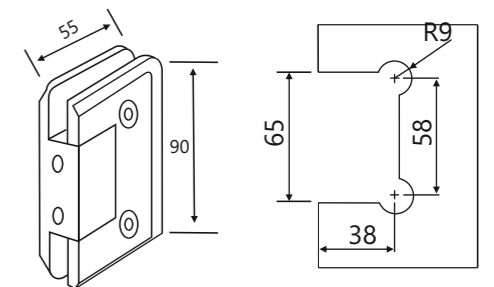


Double Action Spring
Return Door From 25° In Each Direction

ESH - 207 Fixed Clip



Article No.	Finish
ESH - 207	Brushed Nickel (BN)
ESH - 207	Bright Chrome Plated (CP)



Glass cut-out top and bottom

Features :

- Door Thickness : 6mm to 10mm
- Door Weight : Maximum 4.5 kgs
- Material : Brass
- Finish : Brushed Nickel (BN)
Bright Chrome Plated (CP)

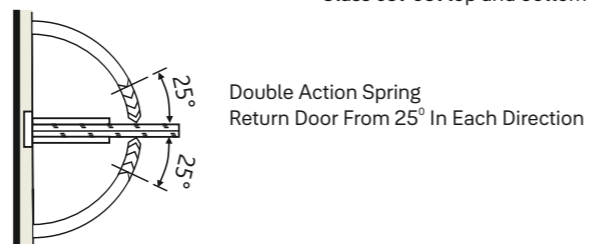
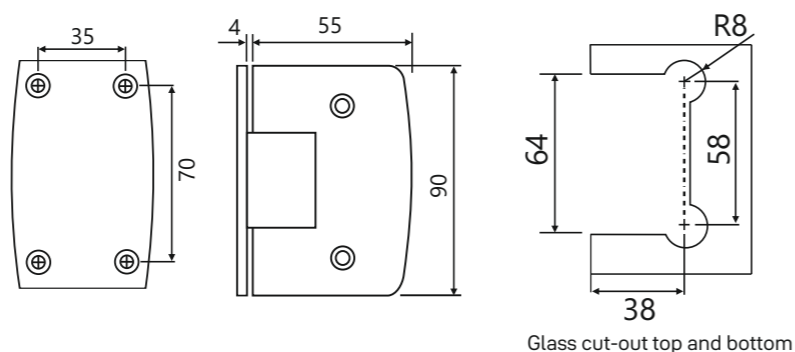
Openable Shower Solution

Glass Shower Fittings

ESH - 1201 Wall to Glass



Article No.	Finish
ESH - 1201	Brushed Nickel (BN)
ESH - 1201	Bright Chrome Plated (CP)



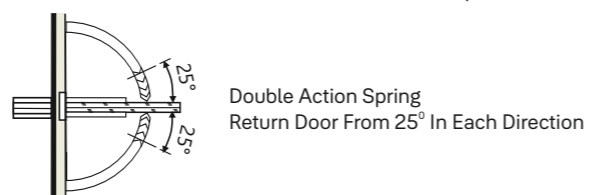
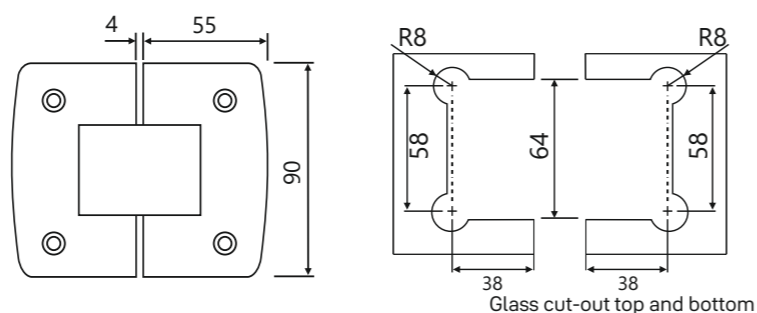
Features :

- Door Thickness : 8mm to 10mm
- Door Weight : Maximum 4.5 kgs
- Material : Brass
- Finish : Brushed Nickel (BN)
Bright Chrome Plated (CP)

ESH - 1202 Glass to Glass 180°



Article No.	Finish
ESH - 1202	Brushed Nickel (BN)
ESH - 1202	Bright Chrome Plated (CP)



Features :

- Door Thickness : 8mm to 10mm
- Door Weight : Maximum 4.5 kgs
- Material : Brass
- Finish : Brushed Nickel (BN)
Bright Chrome Plated (CP)

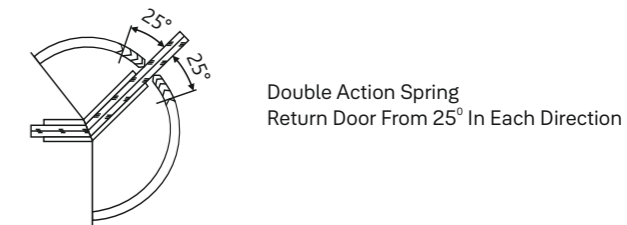
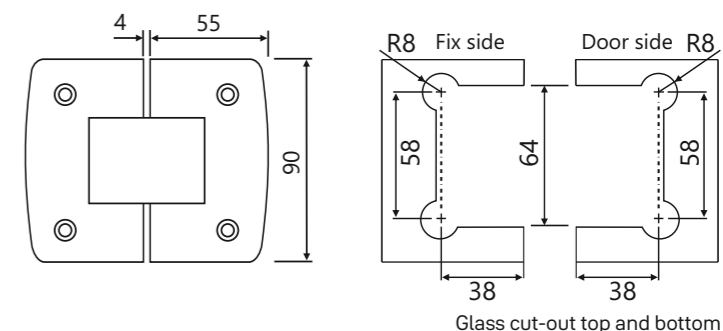
Openable Shower Solution

Glass Shower Fittings

ESH - 1203 Glass to Glass 135°



Article No.	Finish
ESH - 1203	Brushed Nickel (BN)
ESH - 1203	Bright Chrome Plated (CP)



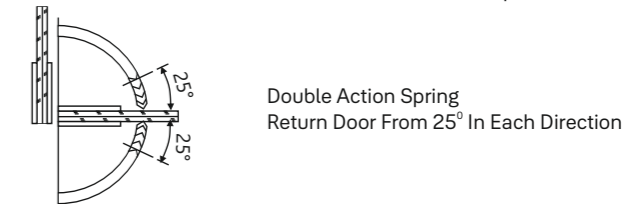
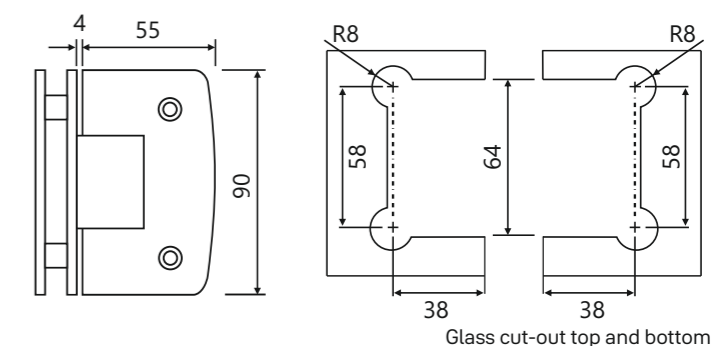
Features :

- Door Thickness : 8mm to 10mm
- Door Weight : Maximum 4.5 kgs
- Material : Brass
- Finish : Brushed Nickel (BN)
Bright Chrome Plated (CP)

ESH - 1204 Glass to Glass 90°



Article No.	Finish
ESH - 1204	Brushed Nickel (BN)
ESH - 1204	Bright Chrome Plated (CP)



Features :

- Door Thickness : 8mm to 10mm
- Door Weight : Maximum 4.5 kgs
- Material : Brass
- Finish : Brushed Nickel (BN)
Bright Chrome Plated (CP)

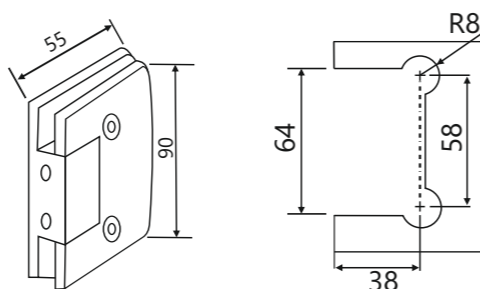
Openable Shower Solution

Glass Shower Fittings

ESH - 1207 Fixed Clip



Article No.	Finish
ESH - 1207	Brushed Nickel (BN)
ESH - 1207	Bright Chrome Plated (CP)



Glass cut-out top and bottom

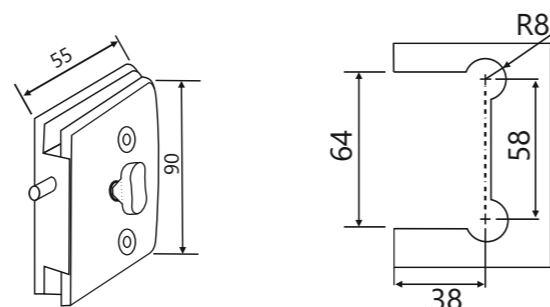
Features :

- Door Thickness : 8mm to 10mm
- Material : Brass
- Finish : Brushed Nickel (BN)
Bright Chrome Plated (CP)

ESH - 1209 Shower Door Lock with Indicator (Bolt Latch)



Article No.	Finish
ESH - 1209	Brushed Nickel (BN)
ESH - 1209	Bright Chrome Plated (CP)



Glass cut-out top and bottom

Features :

- Door Thickness : 8mm to 10mm
- Material : Brass
- Finish : Brushed Nickel (BN)
Bright Chrome Plated (CP)

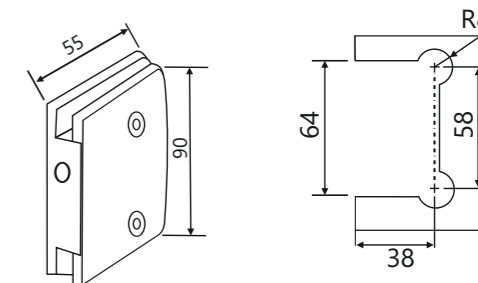
Openable Shower Solution

Glass Shower Fittings

ESH - 1210 Strike Box for ESH 1209



Article No.	Finish
ESH - 1210	Brushed Nickel (BN)
ESH - 1210	Bright Chrome Plated (CP)



Glass cut-out top and bottom

Features :

- Door Thickness : 8mm to 10mm
- Material : Brass
- Finish : Brushed Nickel (BN)
Bright Chrome Plated (CP)



Openable Shower Solution

Glass Shower Fittings

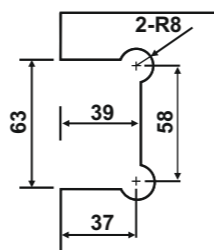
ESH - 2101 Wall to Glass



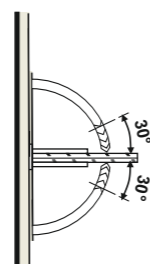
Article No.	Finish
ESH - 2101	Brushed Nickel (BN)
ESH - 2101	Bright Chrome Plated (CP)

Features :

- Door Thickness : 8mm to 10mm
- Door Width : Maximum 1000mm
- Door Weight : Maximum 4.5 kgs
- Finish : Brushed Nickel (BN)
Bright Chrome Plated (CP)



Glass cut-out top and bottom



Double Action Spring
Return Door From 30° In Each Direction

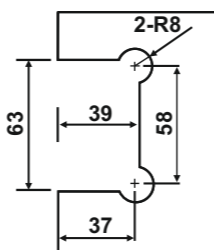
ESH - 2105 Wall to Glass (One Side)



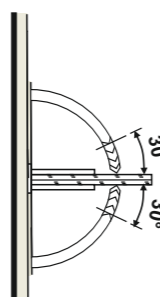
Article No.	Finish
ESH - 2105	Brushed Nickel (BN)
ESH - 2105	Bright Chrome Plated (CP)

Features :

- Door Thickness : 8mm to 10mm
- Door Width : Maximum 1000mm
- Door Weight : Maximum 4.5 kgs
- Finish : Brushed Nickel (BN)
Bright Chrome Plated (CP)



Glass cut-out top and bottom



Double Action Spring
Return Door From 30° In Each Direction

Openable Shower Solution

Glass Shower Fittings

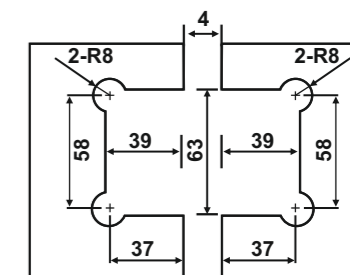
ESH - 2102 Glass to Glass 180°



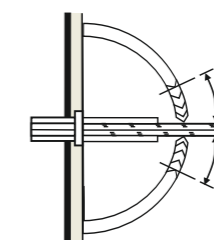
Article No.	Finish
ESH - 2102	Brushed Nickel (BN)
ESH - 2102	Bright Chrome Plated (CP)

Features :

- Door Thickness : 8mm to 10mm
- Door Width : Maximum 1000mm
- Door Weight : Maximum 4.5 kgs
- Finish : Brushed Nickel (BN)
Bright Chrome Plated (CP)



Glass cut-out top and bottom



Double Action Spring
Return Door From 25° In Each Direction

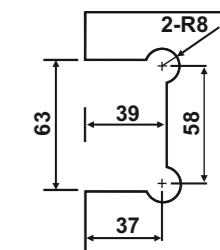
ESH - 2107 Fixed Clip



Article No.	Finish
ESH - 2107	Brushed Nickel (BN)
ESH - 2107	Bright Chrome Plated (CP)

Features :

- Door Thickness : 8mm to 10mm
- Material : Brass
- Finish : Brushed Nickel (BN)
Bright Chrome Plated (CP)



Glass cut-out top and bottom

Heavy Duty Glass Shower Hinges



Glass Architectural Hardware

www.enox.in

ENOX E

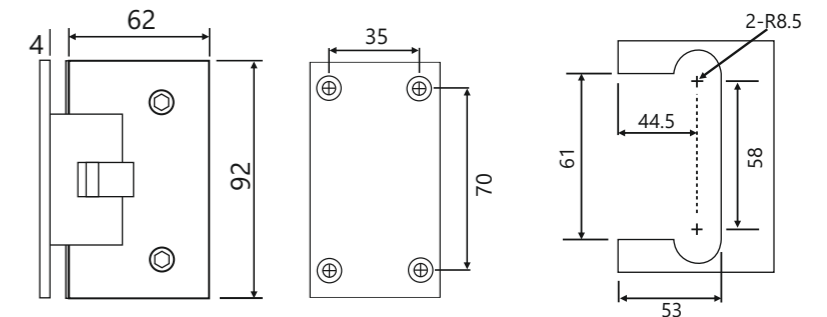
ASSA ABLOY

Openable Shower Solution

Heavy Duty Glass Shower Fittings

ESH - 1701 Wall to Glass

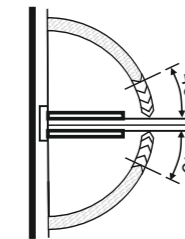
Article No.	Finish
ESH - 1701	Satin Stainless Steel (SSS)



Glass cut-out top and bottom

Features :

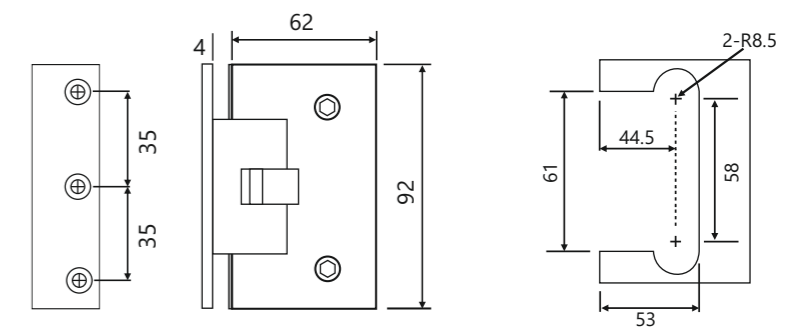
- Door Thickness : 8mm to 10mm.
- Door Weight : Maximum **80 Kgs.**
- Door Width : **800mm to 1200mm.**
- Material : Stainless Steel.
- Finish : Satin Stainless Steel (SSS).



Double Action Spring
Return Door From 40° In Each Direction

ESH - 1705 Wall to Glass (One Side)

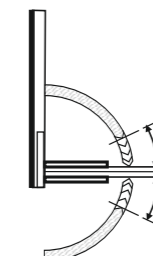
Article No.	Finish
ESH - 1705	Satin Stainless Steel (SSS)



Glass cut-out top and bottom

Features :

- Door Thickness : 8mm to 10mm.
- Door Weight : Maximum **80 Kgs.**
- Door Width : **800mm to 1200mm.**
- Material : Stainless Steel.
- Finish : Satin Stainless Steel (SSS).



Double Action Spring
Return Door From 40° In Each Direction

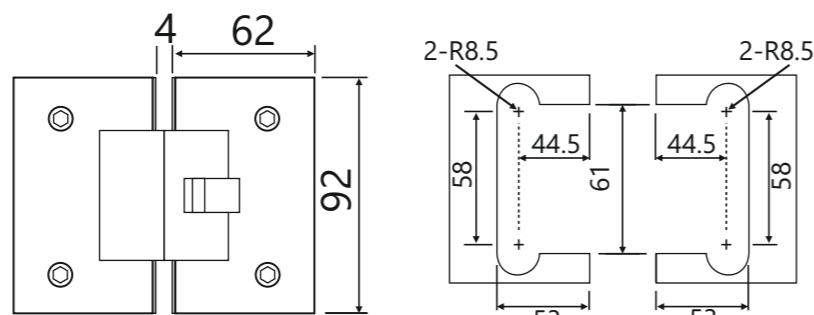
Openable Shower Solution

Glass Shower Fittings

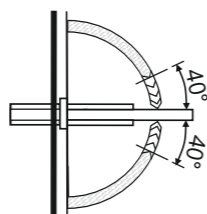
ESH - 1702 Glass to Glass 180°



Article No.	Finish
ESH - 1702	Satin Stainless Steel (SSS)



Glass cut-out top and bottom



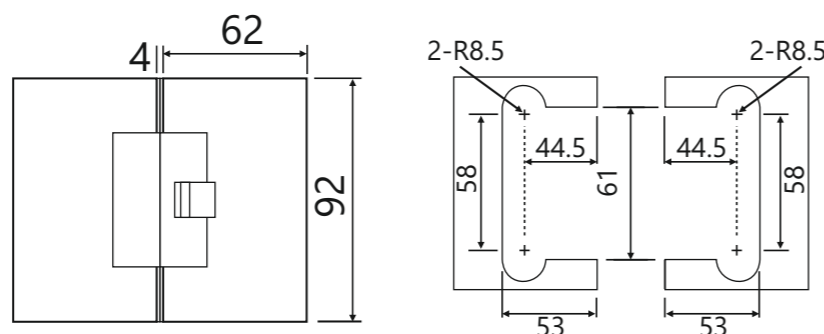
Double Action Spring
Return Door From 40° In Each Direction

- Features :**
- Door Thickness : 8mm to 10mm.
 - Door Weight : Maximum **80 Kgs.**
 - Door Width : **800mm to 1200mm.**
 - Material : Stainless Steel.
 - Finish : Satin Stainless Steel (SSS).

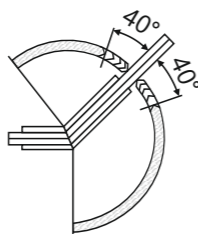
ESH - 1703 Glass to Glass 135°



Article No.	Finish
ESH - 1703	Satin Stainless Steel (SSS)



Glass cut-out top and bottom



Double Action Spring
Return Door From 40° In Each Direction

- Features :**
- Door Thickness : 8mm to 10mm.
 - Door Weight : Maximum **80 Kgs.**
 - Door Width : **800mm to 1200mm.**
 - Material : Stainless Steel.
 - Finish : Satin Stainless Steel (SSS).

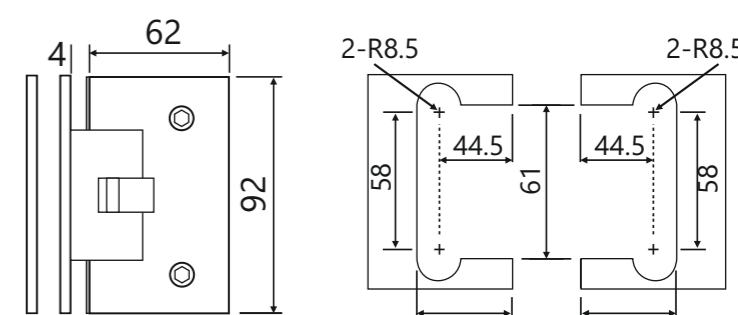
Openable Shower Solution

Glass Shower Fittings

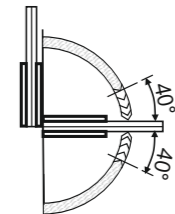
ESH - 1704 Glass to Glass 90°



Article No.	Finish
ESH - 1704	Satin Stainless Steel (SSS)



Glass cut-out top and bottom



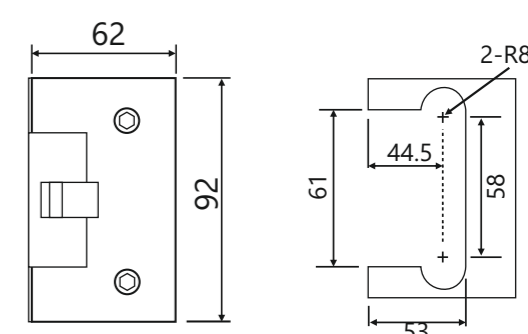
Double Action Spring
Return Door From 40° In Each Direction

- Features :**
- Door Thickness : 8mm to 10mm.
 - Door Weight : Maximum **80 Kgs.**
 - Door Width : **800mm to 1200mm.**
 - Material : Stainless Steel.
 - Finish : Satin Stainless Steel (SSS).

ESH - 1707 Fixed Clip



Article No.	Finish
ESH - 1707	Satin Stainless Steel (SSS)



Glass cut-out top and bottom

- Features :**
- Door Thickness : 8mm to 10mm.
 - Material : Stainless Steel.
 - Finish : Satin Stainless Steel (SSS).



SOFT CLOSE

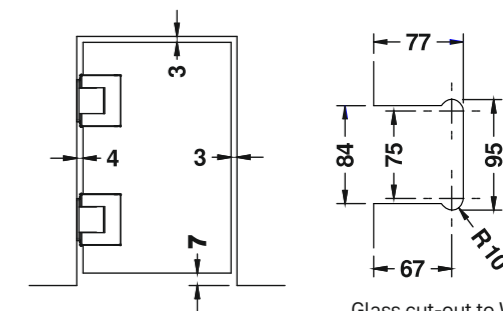
Openable Shower Solution

Hydraulic Self Closing Hinges

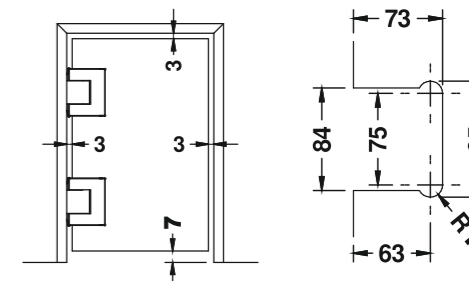
ESH - 3001 Wall to Glass Hinges 90°



Article No.	Finish
ESH - 3001	Polished Stainless Steel (PSS)



Glass cut-out to Wall



Glass cut-out to Frame

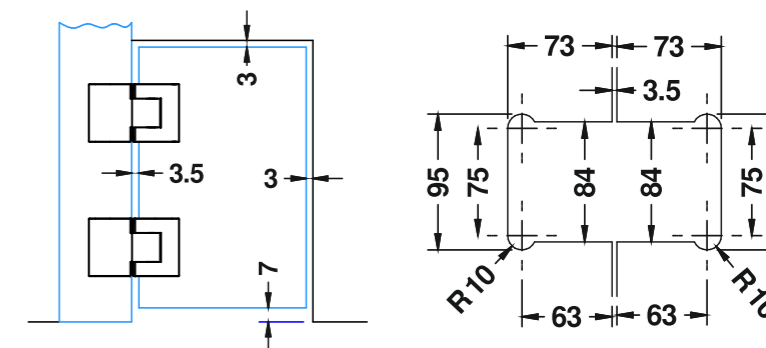
Features :

- Door Thickness : 8mm to 12mm.
- Finish : Polished Stainless Steel (PSS)

ESH - 3002 Glass to Glass Hinges 180°



Article No.	Finish
ESH - 3002	Polished Stainless Steel (PSS)



Glass cut-out top and bottom

Features :

- Door Thickness : 8mm to 12mm.
- Finish : Polished Stainless Steel (PSS)

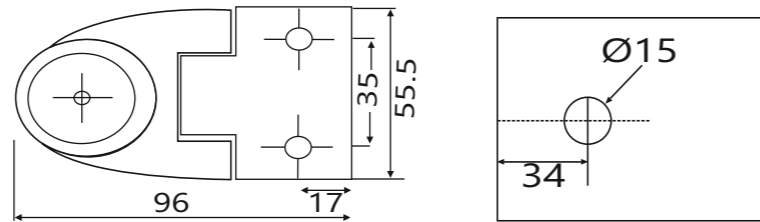
Openable Shower Solution

Special Shower Hinges (Stainless Steel) SUS - 304

ESH - 901 Wall to Glass



Article No.	Finish
ESH - 901	Satin Stainless Steel (SSS)



Glass cut-out top and bottom

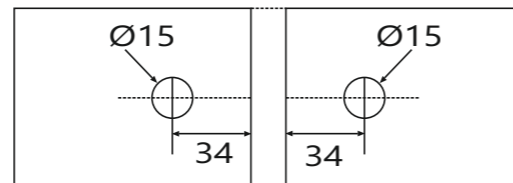
Features :

- Door Thickness : 6mm to 10mm.
- Door Weight : Maximum **30 Kgs**.
- Material : Stainless Steel.
- Finish : Satin Stainless Steel (SSS).

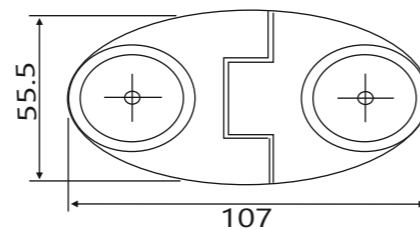
ESH - 902 Glass to Glass



Article No.	Finish
ESH - 902	Satin Stainless Steel (SSS)



Glass cut-out top and bottom



Features :

- Door Thickness : 6mm to 10mm.
- Door Weight : Maximum **30 Kgs**.
- Material : Stainless Steel.
- Finish : Satin Stainless Steel (SSS).

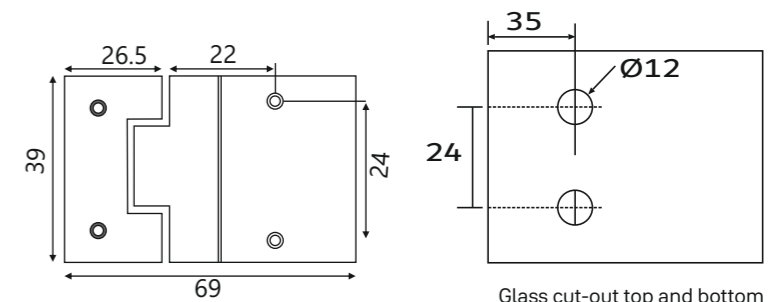
Openable Shower Solution

Special Shower Hinges (Stainless Steel) SUS - 304

ESH - 1001 Wall to Glass



Article No.	Finish
ESH - 1001	Satin Stainless Steel (SSS)



Glass cut-out top and bottom

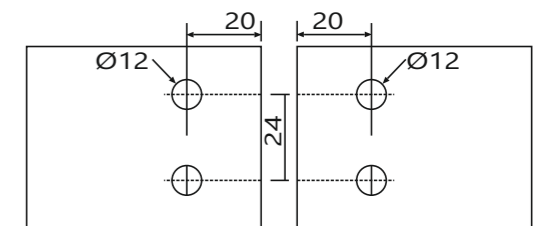
Features :

- Door Thickness : 6mm to 8mm.
- Door Weight : Maximum **20 Kgs**.
- Material : Stainless Steel.
- Finish : Satin Stainless Steel (SSS).

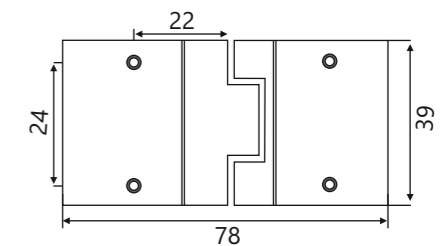
ESH - 1002 Glass to Glass



Article No.	Finish
ESH - 1002	Satin Stainless Steel (SSS)



Glass cut-out top and bottom



Features :

- Door Thickness : 6mm to 8mm.
- Door Weight : Maximum **20 Kgs**.
- Material : Stainless Steel.
- Finish : Satin Stainless Steel (SSS).

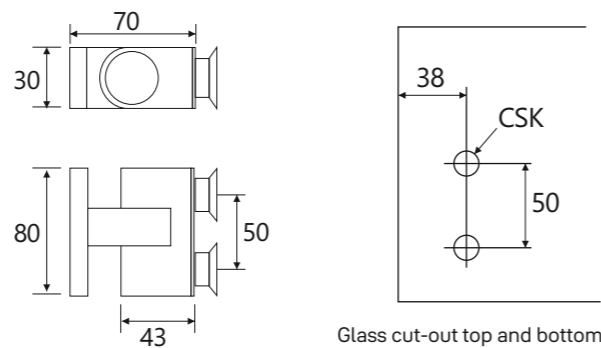
Openable Shower Solution

Special Shower Hinges (Stainless Steel) SUS - 304

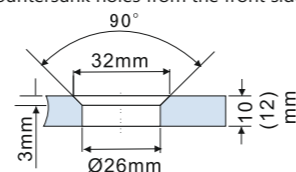
SGSF - 097 Wall to Glass Hinges (Onside Openable)



Article No.	Finish
SGSF - 097	Satin Stainless Steel (SSS)



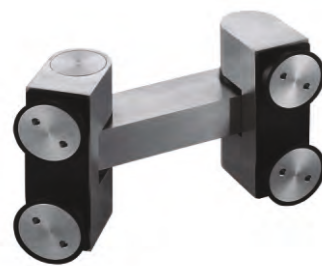
Countersunk holes from the front side



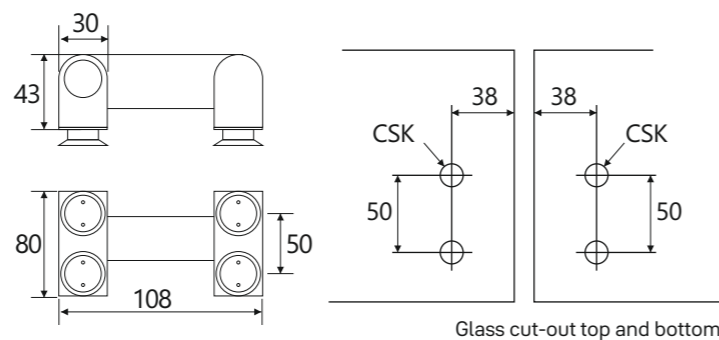
Features :

- Door Thickness : 8mm to 10mm.
- Door Weight : Maximum **40 Kgs**.
- Material : Stainless Steel
- Finish : Satin Stainless Steel (SSS).

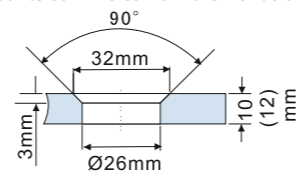
SGSF - 098 Glass to Glass Hinges (Onside Openable)



Article No.	Finish
SGSF - 098	Satin Stainless Steel (SSS)



Countersunk holes from the front side



Features :

- Door Thickness : 8mm to 10mm.
- Door Weight : Maximum **40 Kgs**.
- Material : Stainless Steel.
- Finish : Satin Stainless Steel (SSS).

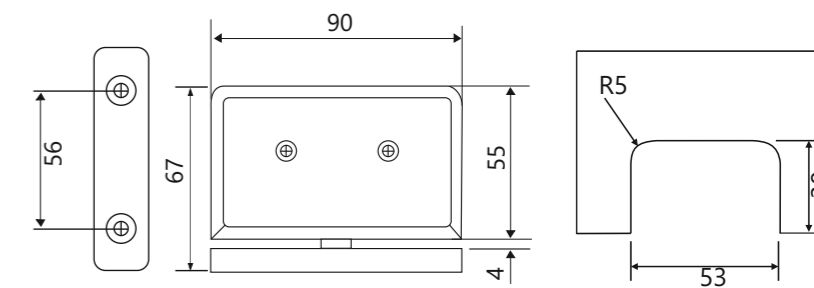
Openable Shower Solution

Shower Pivot Hinges

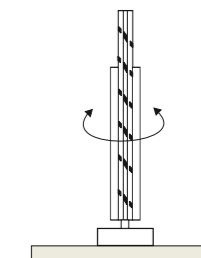
ESH - 206 Glass Pivot



Article No.	Finish
ESH - 206	Brushed Nickel (BN)
ESH - 206	Bright Chrome Plated (CP)



Glass cut-out top and bottom



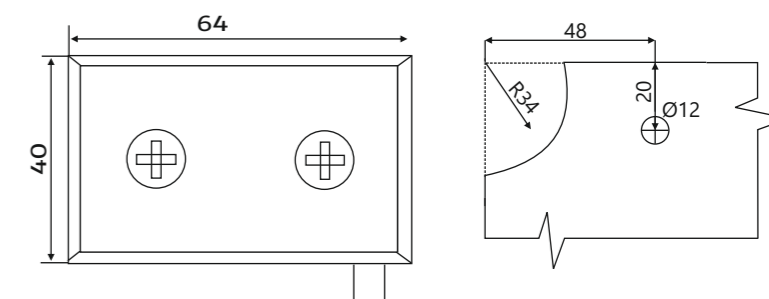
Features :

- Door Thickness : 6mm to 10mm
- Door Weight : Maximum **45 Kgs**
- Material : Brass
- Finish : Brushed Nickel (BN)
Bright Chrome Plated (CP)

ESH - 808 Glass Pivot Hinges



Article No.	Finish
ESH - 808	Brushed Nickel (BN)



Glass cut-out top and bottom

Features :

- Door Thickness : 6mm to 10mm
- Door Width : **500mm** maximum
- Door Weight : Maximum **10 Kgs**
- Material : White Metal (Zinc Alloy)
- Finish : Brushed Nickel (BN)

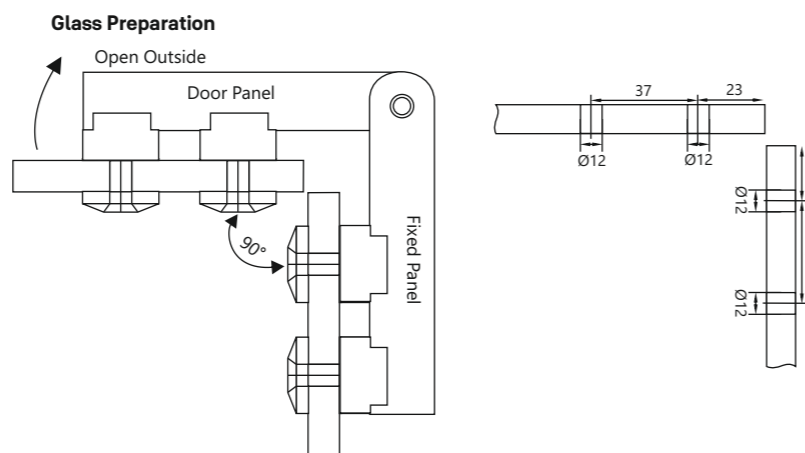
Openable Shower Solution

Square Rod Hinges (Stainless Steel) SUS 304

ESH - 1602 Glass to Glass

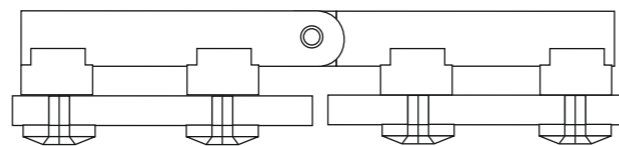
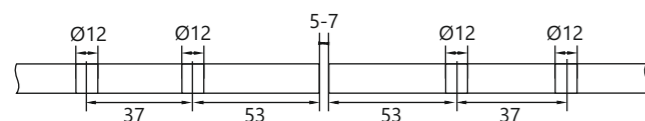
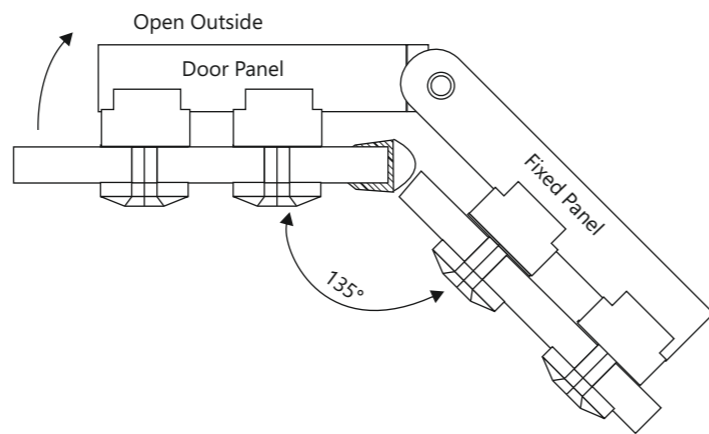
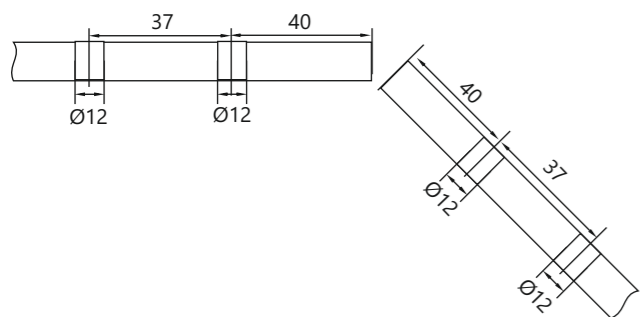


Article No.	Finish
ESH - 1602	Satin Stainless Steel (SSS)



Features :

- Door Thickness : 8mm to 10mm
- Door Width : 500mm maximum
- Door Weight : Maximum 20 kgs
- Material : Stainless Steel
- Finish : Satin Stainless Steel (SSS)



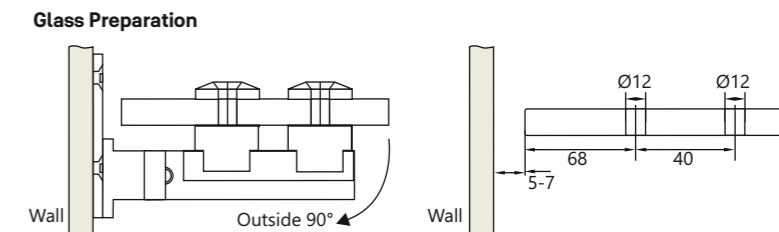
Openable Shower Solution

Square Rod Hinges (Stainless Steel) SUS 304

ESH - 1601 Wall to Glass



Article No.	Finish
ESH - 1601	Satin Stainless Steel (SSS)



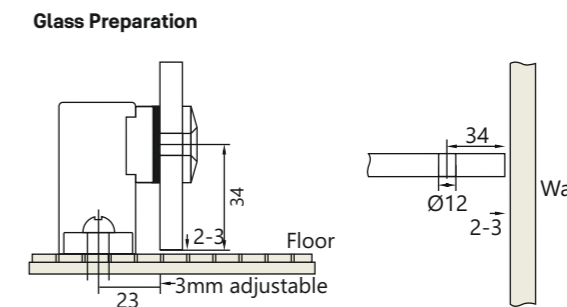
Features :

- Door Thickness : 8mm to 10mm
- Door Width : 500mm Maximum
- Door Weight : Maximum 20 kgs
- Material : Stainless Steel
- Finish : Satin Stainless Steel (SSS)

ESH - 1607 Bracket for 90° Wall to Glass



Article No.	Finish
ESH - 1607	Satin Stainless Steel (SSS)



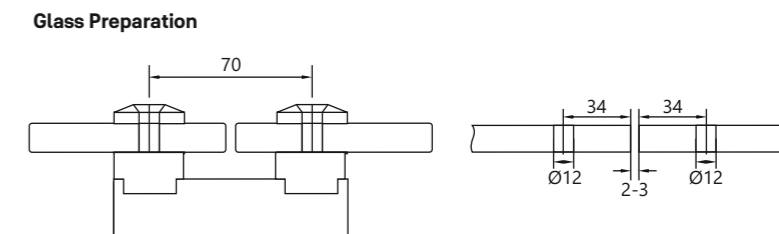
Features :

- Door Thickness : 8mm to 10mm
- Material : Stainless Steel
- Finish : Satin Stainless Steel (SSS)

ESH - 1614 Bracket for 180° Glass to Glass



Article No.	Finish
ESH - 1614	Satin Stainless Steel (SSS)



Features :

- Door Thickness : 8mm to 10mm
- Material : Stainless Steel
- Finish : Satin Stainless Steel (SSS)

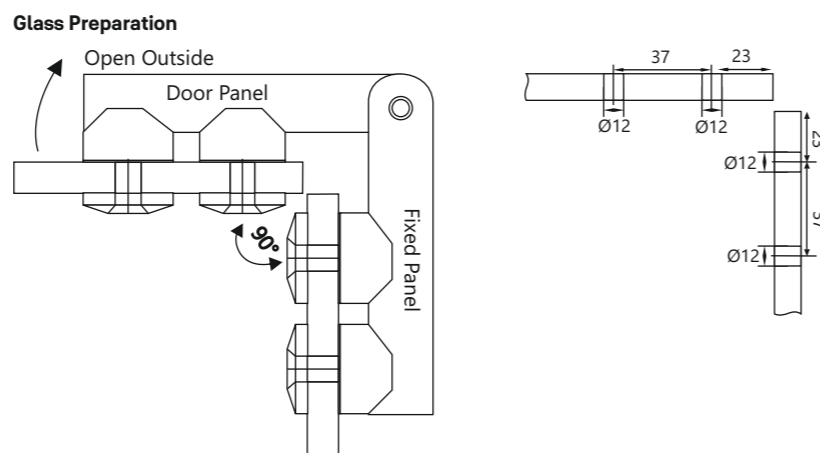
Openable Shower Solution

Square Rod Hinges (Stainless Steel) SUS 304

ESH - 1102 Glass to Glass / Hinge

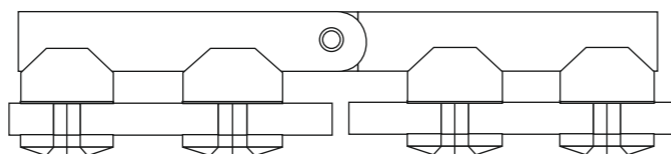
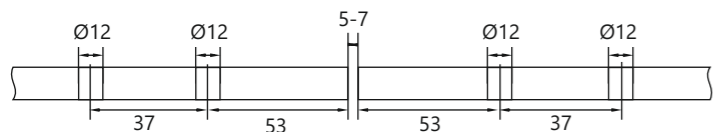
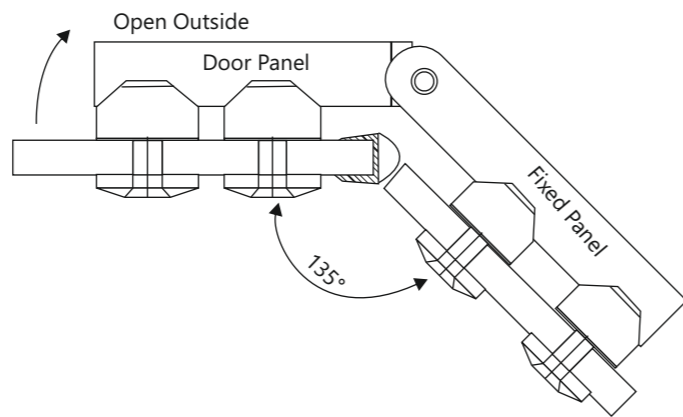
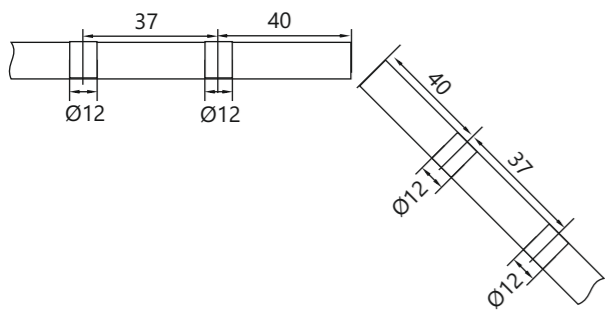


Article No.	Finish
ESH - 1102	Satin Stainless Steel (SSS)



Features :

- Door Thickness : 8mm to 10mm
- Door Width : 500mm Maximum
- Door Weight : Maximum 20 kgs
- Material : Stainless Steel
- Finish : Satin Stainless Steel (SSS)



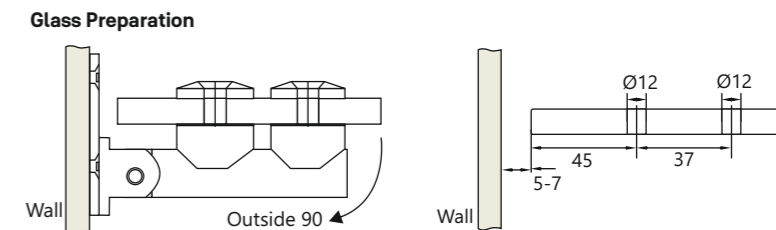
Openable Shower Solution

Square Rod Hinges (Stainless Steel) SUS 304

ESH - 1101 Wall to Glass / Hinge



Article No.	Finish
ESH - 1101	Satin Stainless Steel (SSS)



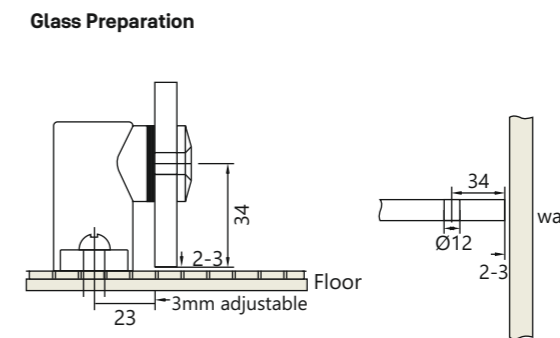
Features :

- Door Thickness : 8mm to 10mm
- Door Width : 500mm Maximum
- Door Weight : Maximum 20 kgs
- Material : Stainless Steel
- Finish : Satin Stainless Steel (SSS)

ESH - 1107 Bracket for 90° Wall to Glass



Article No.	Finish
ESH - 1107	Satin Stainless Steel (SSS)



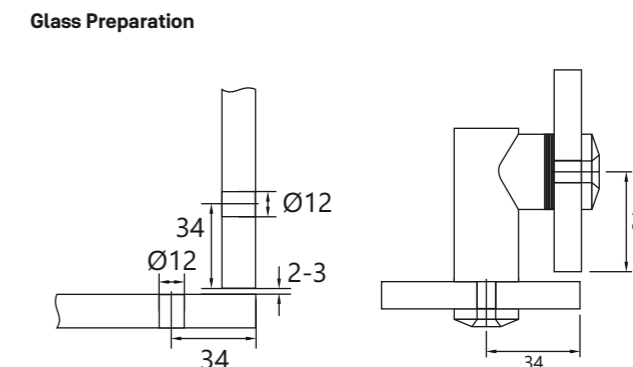
Features :

- Door Thickness : 8mm to 10mm
- Material : Stainless Steel
- Finish : Satin Stainless Steel (SSS)

ESH - 1108 Bracket for 90° Wall to Glass



Article No.	Finish
ESH - 1108	Satin Stainless Steel (SSS)



Features :

- Door Thickness : 8mm to 10mm
- Material : Stainless Steel
- Finish : Satin Stainless Steel (SSS)

Openable Shower Solution

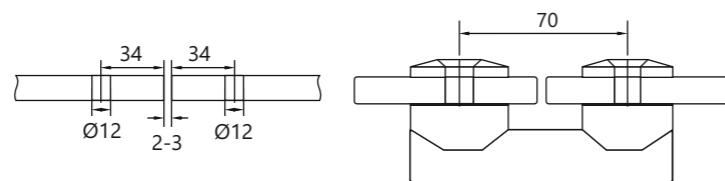
Square Rod Hinges (Stainless Steel) SUS 304

ESH - 1114 Bracket for 180° Glass to Glass



Article No.	Finish
ESH - 1114	Satin Stainless Steel (SSS)

Glass Preparation



Features :

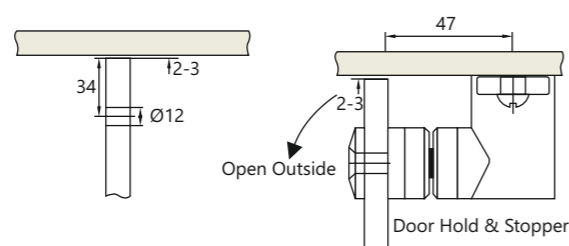
- Door Thickness : 8mm to 10mm
- Material : Stainless Steel
- Finish : Satin Stainless Steel (SSS)

ESH - 1109 Door Stop for Wall to Glass



Article No.	Finish
ESH - 1109	Satin Stainless Steel (SSS)

Glass Preparation



Features :

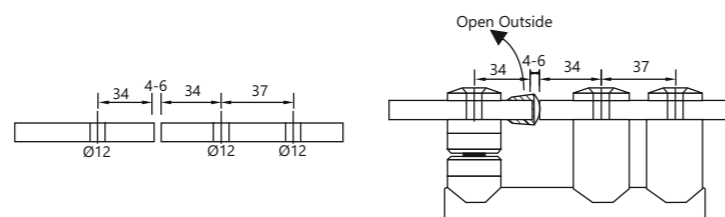
- Door Thickness : 8mm to 10mm
- Material : Stainless Steel
- Finish : Satin Stainless Steel (SSS)

ESH - 1110 Door Stop for 180° Glass to Glass



Article No.	Finish
ESH - 1110	Satin Stainless Steel (SSS)

Glass Preparation



Features :

- Door Thickness : 8mm to 10mm
- Material : Stainless Steel
- Finish : Satin Stainless Steel (SSS)

Openable Shower Solution

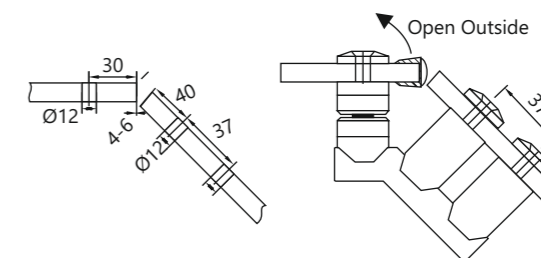
Square Rod Hinges (Stainless Steel) SUS 304

ESH - 1111 Door Stop for 135° Glass to Glass



Article No.	Finish
ESH - 1111	Satin Stainless Steel (SSS)

Glass Preparation



Features :

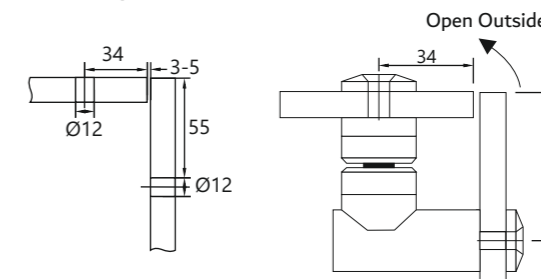
- Door Thickness : 8mm to 10mm
- Material : Stainless Steel
- Finish : Satin Stainless Steel (SSS)

ESH - 1112 Door Stop for 90° Glass to Glass



Article No.	Finish
ESH - 1112	Satin Stainless Steel (SSS)

Glass Preparation



Features :

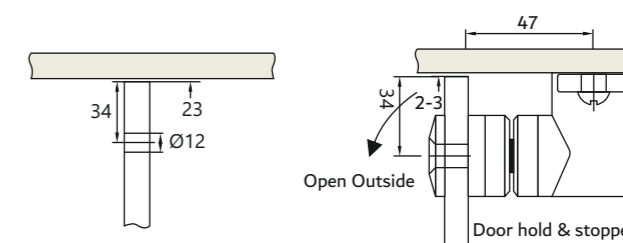
- Door Thickness : 8mm to 10mm
- Material : Stainless Steel
- Finish : Satin Stainless Steel (SSS)

ESH - 1113 Door Stop Part for ESH - 1109 / 1110 / 1111 / 1112



Article No.	Finish
ESH - 1113	Satin Stainless Steel (SSS)

Glass Preparation



Features :

- Door Thickness : 8mm to 10mm
- Material : Stainless Steel
- Finish : Satin Stainless Steel (SSS)

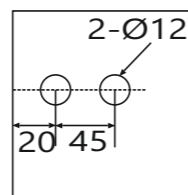
Openable Shower Solution

Special Shower Hinges

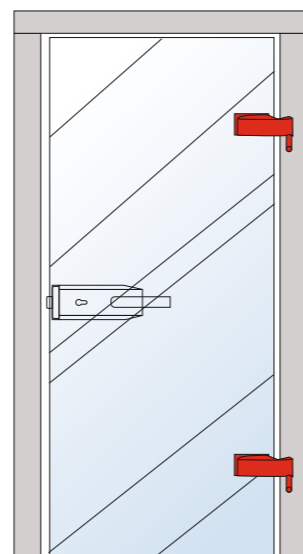
ESH - 903 Wall to Glass Hinges (Offset)



Article No.	Finish
ESH - 903	Satin Stainless Steel (SSS)



Glass cut-out top and bottom



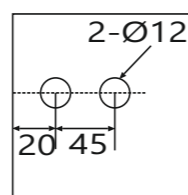
Features :

- Door Thickness : 8mm to 10mm.
- Door Weight : Maximum **40 Kgs.**
- Material : Stainless Steel.
- Finish : Satin Stainless Steel (SSS).

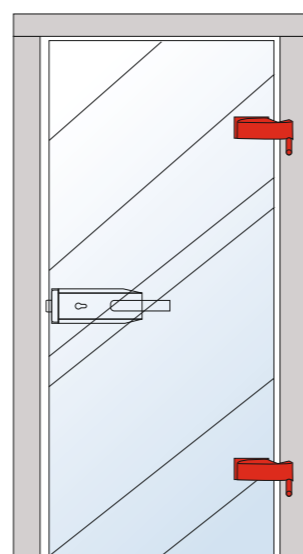
EPF - 751 Wall to Glass Hinges (Offset)



Article No.	Finish
EPF - 751	Satin Stainless Steel (SSS)



Glass cut-out top and bottom



Features :

- Door Thickness : 8mm to 10mm.
- Door Weight : Maximum **40 Kgs.**
- Material : White Metal (Zinc Alloy).
- Finish : Brush Nickel (BN).

Openable Shower Solution

Shelf Bracket

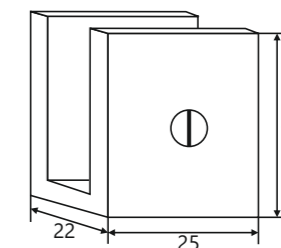
ESH - 1401 Shelf Bracket



Article No.	Finish
ESH - 1401	Satin Stainless Steel (SSS)

Features :

- Glass Thickness : 10mm to 12mm
- Material : Stainless Steel
- Finish : Satin Stainless Steel (SSS)



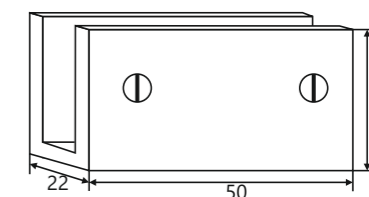
ESH - 1402 Shelf Bracket



Article No.	Finish
ESH - 1402	Satin Stainless Steel (SSS)

Features :

- Glass Thickness : 10mm to 12mm
- Material : Stainless Steel
- Finish : Satin Stainless Steel (SSS)



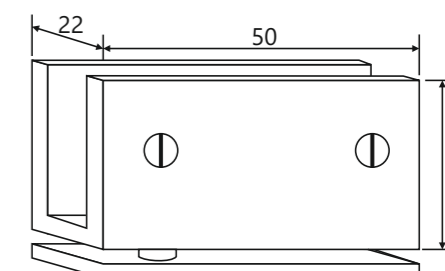
ESH - 1403 Glass Pivot



Article No.	Finish
ESH - 1403	Satin Stainless Steel (SSS)

Features :

- Glass Thickness : 10mm to 12mm
- Door Width : Maximum **450mm.**
- Material : Stainless Steel
- Finish : Satin Stainless Steel (SSS)



Openable Shower Solution

Shower Header

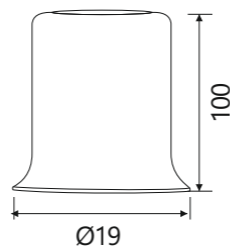
ESH - 212 Rod to Wall Connector



Article No.	Finish
ESH - 212	Brushed Nickel (Bn)
ESH - 212	Bright Chrome Plated (CP)
ESH - 212	Rose Gold (RG)
ESH - 212	Black Matt (BM)

Features:

- Rod to Wall Connector
- For Ø 19mm Swift Rod
- Finish : Brushed Nickel (BN).
Bright Chrome Plated (CP).



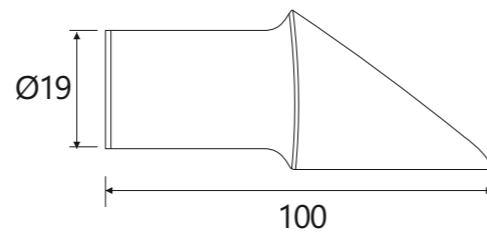
ESH - 213 Rod to Side Wall Connector



Article No.	Finish
ESH - 213	Brushed Nickel (Bn)
ESH - 213	Bright Chrome Plated (CP)

Features:

- Rod to Wall Connector
- For Ø 19mm Swift Rod
- Finish : Brushed Nickel (BN).
Bright Chrome Plated (CP).



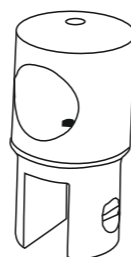
ESH - 214 Bracket for Rod to Glass



Article No.	Finish
ESH - 214	Brushed Nickel (Bn)
ESH - 214	Bright Chrome Plated (CP)
ESH - 214	Rose Gold (RG)
ESH - 214	Black Matt (BM)

Features:

- Rod Support With Glass
- For Ø 19mm Swift Rod
- Glass Thickness : 8mm to 12mm.
- Finish : Brushed Nickel (BN).
Bright Chrome Plated (CP).



Openable Shower Solution

Shower Header

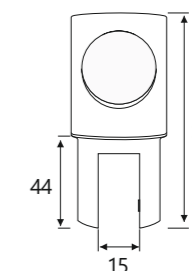
ESH - 215 Bracket for Top Rod to Glass Connector



Article No.	Finish
ESH - 215	Brushed Nickel (Bn)
ESH - 215	Bright Chrome Plated (CP)

Features:

- Rod Support With Glass (One Side Blind)
- For Ø 19mm Swift Rod
- Glass Thickness : 8mm to 12mm.
- Finish : Brushed Nickel (BN).
Bright Chrome Plated (CP).



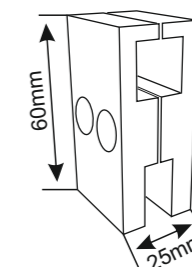
ESH - 11212 Rod to Fix Glass Connector



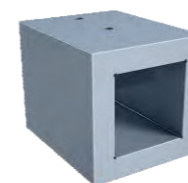
Article No.	Finish
ESH - 11212	Satin Stainless Steel (SSS)

Features:

- For 15mm X 15mm Rod
- Rod Support with Glass
- Finish : Satin Stainless Steel (SSS).



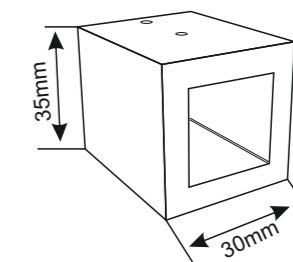
ESH - 11214 Wall to Rod Connector



Article No.	Finish
ESH - 11214	Satin Stainless Steel (SSS)

Features:

- For 15mm X 15mm Rod
- Rod to Wall Connector
- Finish : Satin Stainless Steel (SSS).



Openable Shower Solution

Shower Header

ESH - 11216 Rod Connector



Article No.	Finish
ESH - 11216	Satin Stainless Steel (SSS)

Features:

- For 15mm X 15mm Rod
- Rod to Rod Connector
- Finish : Satin Stainless Steel (SSS).

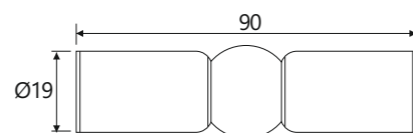
ESH - 216 Rod Connector



Article No.	Finish
ESH - 216	Brushed Nickel (Bn)
ESH - 216	Bright Chrome Plated (CP)
ESH - 216	Rose Gold (RG) <small>NEW</small>
ESH - 216	Black Matt (BM) <small>NEW</small>

Features:

- Rod to Rod Connector (Universal)
- For Ø 19mm Swift Rod
- Finish : Brushed Nickel (BN).
Bright Chrome Plated (CP).



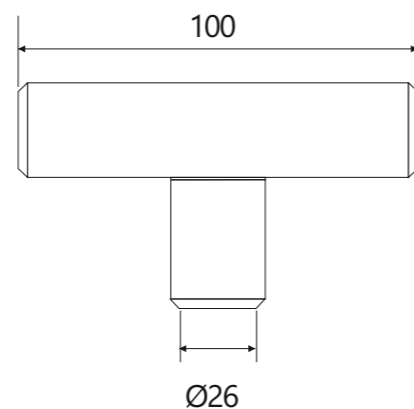
ESH - 217 Bracket for T Rod to Glass



Article No.	Finish
ESH - 217	Brushed Nickel (Bn)
ESH - 217	Bright Chrome Plated (CP)

Features:

- For Ø 19mm Swift Rod
- 'T' Type Road Connector
- Finish : Brushed Nickel (BN).
Bright Chrome Plated (CP).



Openable Shower Solution

Swift Rod

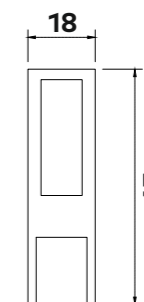
ESH - 7013 Bracket for Glass Support for ESH 7008



Article No.	Finish
ESH - 7013	Satin Stainless Steel (SSS)

Features :

- For Flate Rod (ESH 7008)
- Material : Stainless Steel.
- Finish : Satin Stainless Steel (SSS).



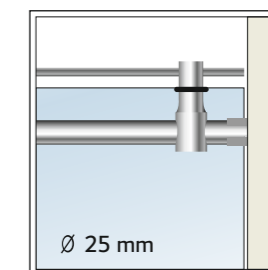
Swift Rod - 001 - Ø25



Article No.	Finish
Swift Rod - 001	Satin Stainless Steel (SSS)

Features :

- Material : Stainless Steel.
- Finish : Satin Stainless Steel.
- Size : 2000mm / 2500mm / 3000mm / 3600mm.



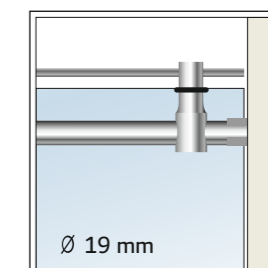
Swift Rod - 002 - Ø19



Article No.	Finish
Swift Rod - 002	Satin Stainless Steel (SSS)
Swift Rod - 002	Rose Gold (RG) <small>NEW</small>
Swift Rod - 002	Black Matt (BM) <small>NEW</small>

Features :

- Material : Stainless Steel.
- Finish : Satin Stainless Steel.
- Size : 2000mm / 2500mm / 3000mm / 3600mm



Openable Shower Solution

Swift Rod

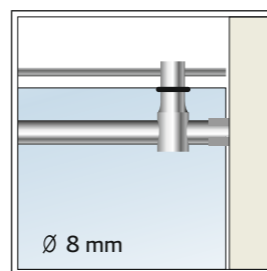
Swift Rod - 003 - Ø8



Article No.	Finish
Swift Rod - 003	Satin Stainless Steel (SSS)

Features :

- Material : Stainless Steel.
- Finish : Satin Stainless Steel.
- Size : 1000mm / 1500mm / 2000mm / 2500mm.



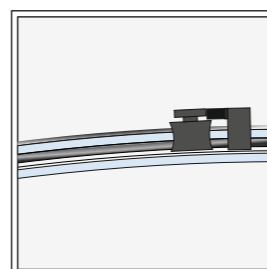
Swift Rod BD - 001 (For Bend Glass) Ø25



Article No.	Finish
Swift Rod BD - 001	Satin Stainless Steel (SSS)

Features :

- Material : Stainless Steel.
- Finish : Satin Stainless Steel.
- Size : 2000mm / 2600mm / 3600mm.



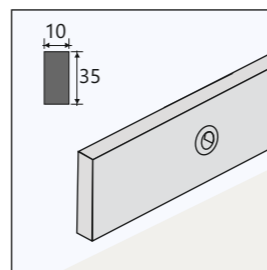
SGSF - 086 Rectangular Track (Solid)



Article No.	Finish
SGSF - 086	Satin Stainless Steel (SSS)

Features :

- Material : Stainless Steel.
- Finish : Satin Stainless Steel.
- Size : 2000mm.



Openable Shower Solution

Swift Rod

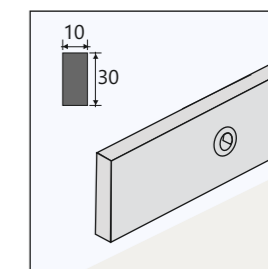
ESH - 7008



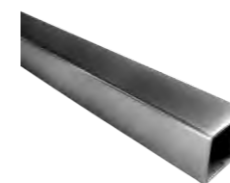
Article No.	Finish
ESH - 7008	Satin Stainless Steel (SSS)

Features :

- Material : Stainless Steel.
- Finish : Satin Stainless Steel.
- Size : 1650mm / 2000mm / 2200mm / 2500mm / 3000mm /



Swift Rod - 007



Article No.	Finish
Swift Rod - 007	Satin Stainless Steel (SSS)

Features :

- 15mm X 15mm Rod
- Square Rod.
- Size : 2000mm / 3000mm / 3600mm

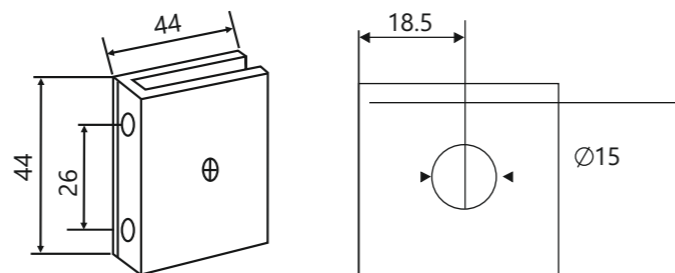
Openable Shower Solution

Shower Connector (Stainless Steel)

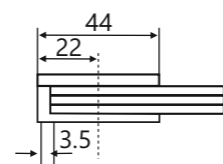
ESH - 401 Shower Screen Fixing Brackets for Floor / Wall to Glass



Article No.	Finish
ESH - 401	Satin Stainless Steel (SSS)
ESH - 401	Polished Satin Steel (PSS)
ESH - 401	Rose Gold (RG) NEW
ESH - 401	Black Matt (BM) NEW



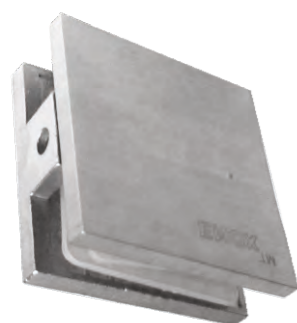
Glass Preparation



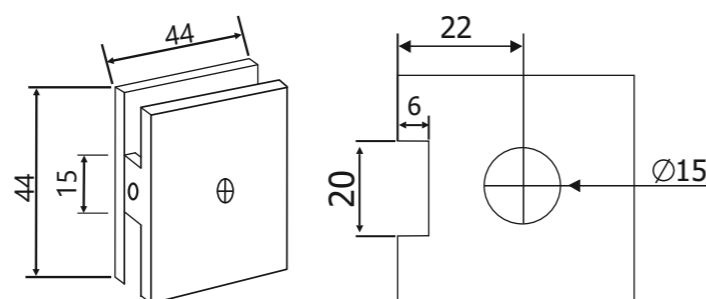
Features :

- Door Thickness : 10mm to 12mm
- Material : Stainless Steel
- Finish : Satin Stainless Steel (SSS)
Polished Stainless Steel (PSS)

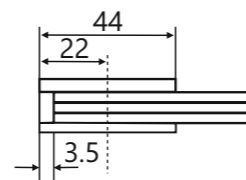
ESH - 401 A Shower Screen Fixing Brackets for Floor / Wall to Glass



Article No.	Finish
ESH - 401 A	Satin Stainless Steel (SSS)
ESH - 401 A	Polished Satin Steel (PSS)



Glass Preparation



Features :

- Door Thickness : 10mm to 12mm
- Material : Stainless Steel
- Finish : Satin Stainless Steel (SSS)
Polished Stainless Steel (PSS)

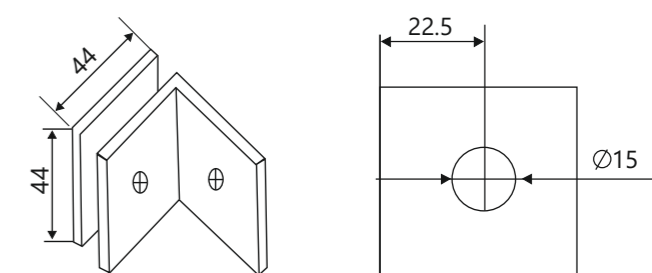
Openable Shower Solution

Shower Connector (Stainless Steel)

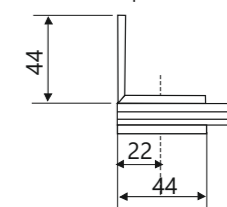
ESH - 402 Shower Screen Fixing Brackets for Floor / Wall to Glass



Article No.	Finish
ESH - 402	Satin Stainless Steel (SSS)
ESH - 402	Polished Satin Steel (PSS)
ESH - 402	Rose Gold (RG) NEW
ESH - 402	Black Matt (BM) NEW



Glass Preparation



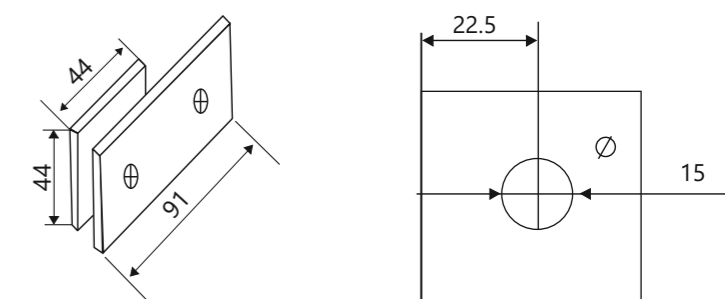
Features :

- Door Thickness : 10mm to 12mm
- Material : Stainless Steel
- Finish : Satin Stainless Steel (SSS)
Polished Stainless Steel (PSS)

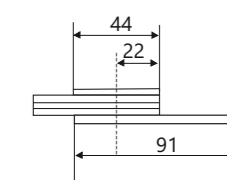
ESH - 403 Shower Screen Fixing Brackets for 180° Wall to Glass



Article No.	Finish
ESH - 403	Satin Stainless Steel (SSS)
ESH - 403	Polished Satin Steel (PSS)



Glass Preparation



Features :

- Door Thickness : 10mm to 12mm
- Material : Stainless Steel
- Finish : Satin Stainless Steel (SSS)
Polished Stainless Steel (PSS)

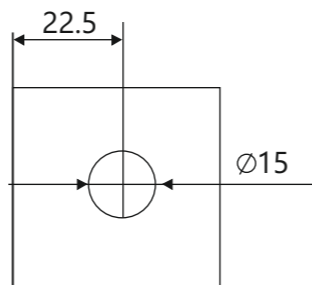
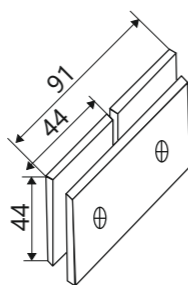
Openable Shower Solution

Shower Connector (Stainless Steel)

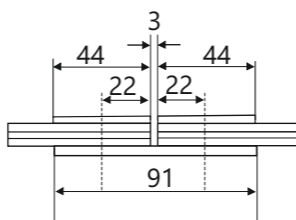
ESH - 404 Shower Screen Fixing Brackets for 180° Glass to Glass Application



Article No.	Finish
ESH - 404	Satin Stainless Steel (SSS)
ESH - 404	Polished Satin Steel (PSS)



Glass Preparation



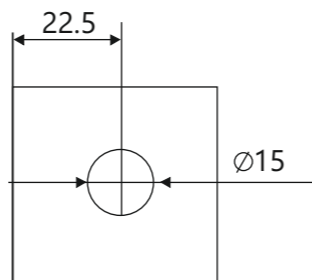
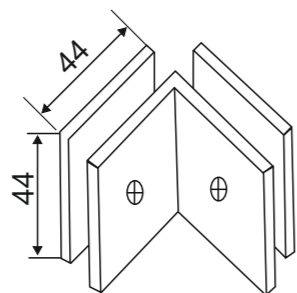
Features :

- Door Thickness : 10mm to 12mm
- Material : Stainless Steel
- Finish : Satin Stainless Steel (SSS)
Polished Stainless Steel (PSS)

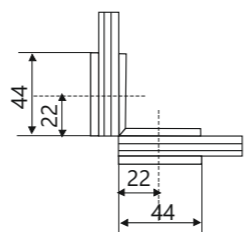
ESH - 405 Shower Screen Fixing Brackets for 90° Glass to Glass



Article No.	Finish
ESH - 405	Satin Stainless Steel (SSS)
ESH - 405	Polished Satin Steel (PSS)



Glass Preparation



Features :

- Door Thickness : 10mm to 12mm
- Material : Stainless Steel
- Finish : Satin Stainless Steel (SSS)
Polished Stainless Steel (PSS)

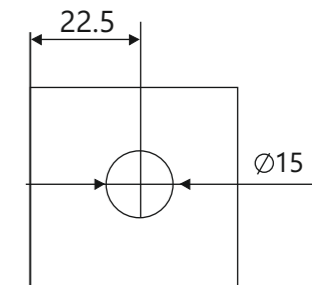
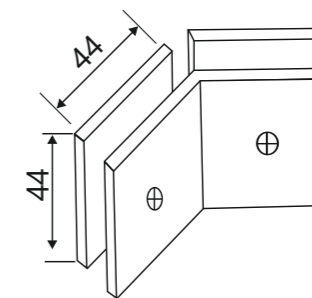
Openable Shower Solution

Shower Connector (Stainless Steel)

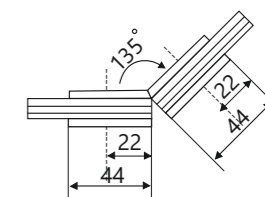
ESH - 406 Shower Screen Fixing Brackets for 135° Glass to Glass



Article No.	Finish
ESH - 406	Satin Stainless Steel (SSS)
ESH - 406	Polished Satin Steel (PSS)



Glass Preparation



Features :

- Door Thickness : 10mm to 12mm
- Material : Stainless Steel
- Finish : Satin Stainless Steel (SSS)
Polished Stainless Steel (PSS)



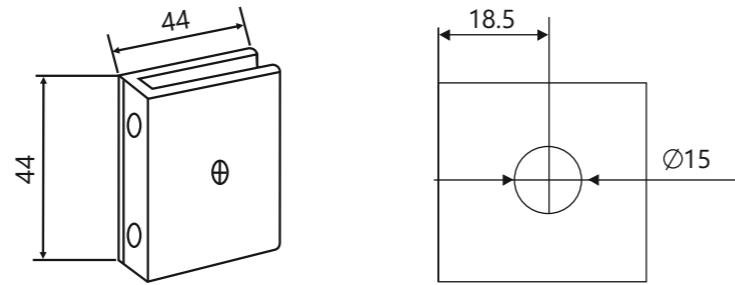
Openable Shower Solution

Semi Round Shower Connector (Stainless Steel) SS304

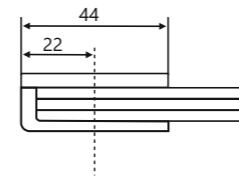
ESH - 411 Shower Screen Fixing Brackets for Floor / Wall to Glass



Article No.	Finish
ESH - 411	Satin Stainless Steel (SSS)
ESH - 411	Polished Satin Steel (PSS)



Glass Preparation



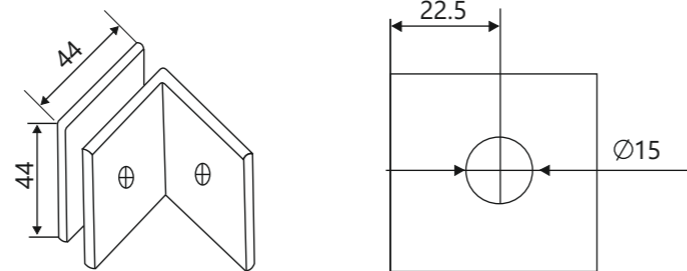
Features :

- Material : Stainless Steel
- Door Thickness : 10mm to 12mm
- Finish : Satin Stainless Steel (SSS)
Polished Stainless Steel (PSS)

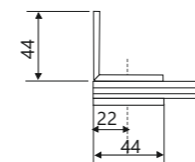
ESH - 412 Shower Screen Fixing Brackets for Floor / Wall to Glass



Article No.	Finish
ESH - 412	Satin Stainless Steel (SSS)
ESH - 412	Polished Satin Steel (PSS)



Glass Preparation



Features :

- Material : Stainless Steel
- Door Thickness : 10mm to 12mm
- Finish : Satin Stainless Steel (SSS)
Polished Stainless Steel (PSS)

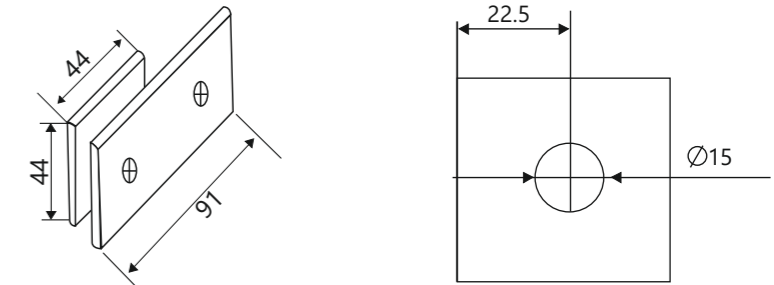
Openable Shower Solution

Semi Round Shower Connector (Stainless Steel) SS304

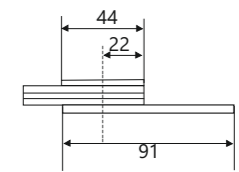
ESH - 413 Shower Screen Fixing Brackets for 180° Wall to Glass



Article No.	Finish
ESH - 413	Satin Stainless Steel (SSS)
ESH - 413	Polished Satin Steel (PSS)



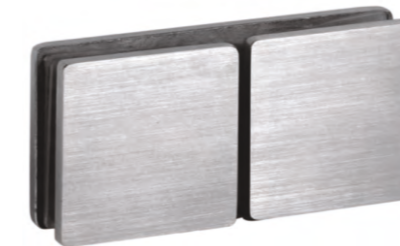
Glass Preparation



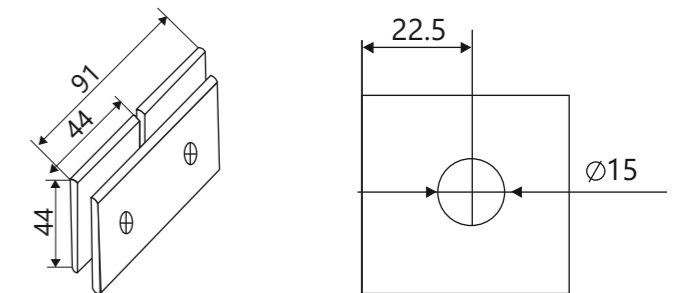
Features :

- Material : Stainless Steel
- Door Thickness : 10mm to 12mm
- Finish : Satin Stainless Steel (SSS)
Polished Stainless Steel (PSS)

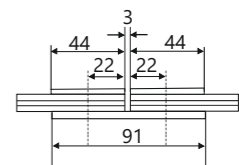
ESH - 414 Shower Screen Fixing Brackets for 180° Glass to Glass



Article No.	Finish
ESH - 414	Satin Stainless Steel (SSS)
ESH - 414	Polished Satin Steel (PSS)



Glass Preparation



Features :

- Material : Stainless Steel
- Door Thickness : 10mm to 12mm
- Finish : Satin Stainless Steel (SSS)
Polished Stainless Steel (PSS)

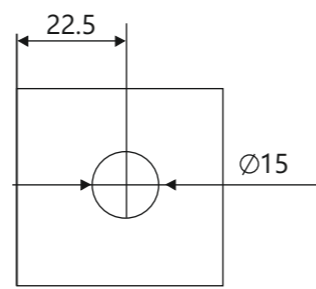
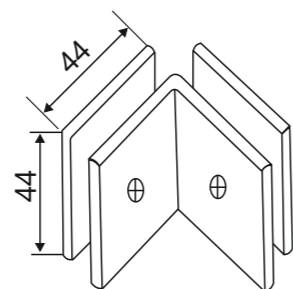
Openable Shower Solution

Semi Round Shower Connector (Stainless Steel) SS304

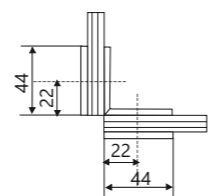
ESH - 415 Shower Screen Fixing Brackets for 90° Glass to Glass



Article No.	Finish
ESH - 415	Satin Stainless Steel (SSS)
ESH - 415	Polished Satin Steel (PSS)



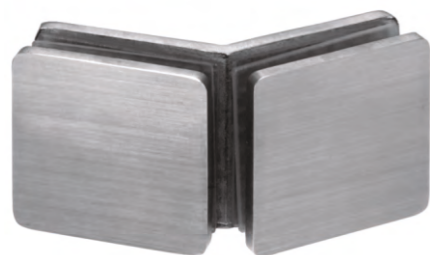
Glass Preparation



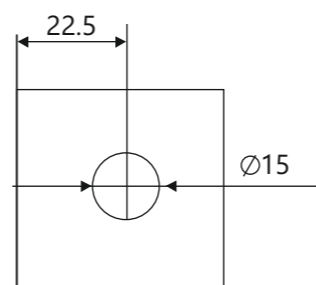
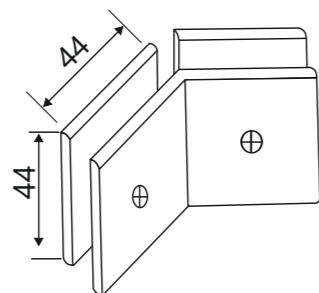
Features :

- Material : Stainless Steel
- Door Thickness : 10mm to 12mm
- Finish : Satin Stainless Steel (SSS)
Polished Stainless Steel (PSS)

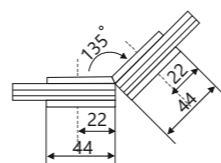
ESH - 416 Shower Screen Fixing Brackets for 135° Glass to Glass



Article No.	Finish
ESH - 416	Satin Stainless Steel (SSS)
ESH - 416	Polished Satin Steel (PSS)



Glass Preparation



Features :

- Material : Stainless Steel
- Door Thickness : 10mm to 12mm
- Finish : Satin Stainless Steel (SSS)
Polished Stainless Steel (PSS)

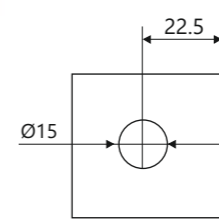
Openable Shower Solution

Semi Round Shower Connector (Stainless Steel) SS304

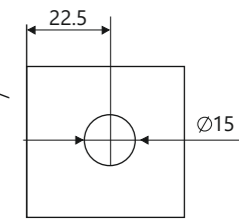
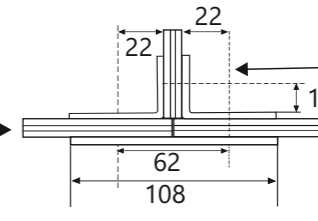
ESH - 418 Shower Screen Fixing Brackets for Three Way 90° Glass to Glass



Article No.	Finish
ESH - 418	Satin Stainless Steel (SSS)
ESH - 418	Polished Satin Steel (PSS)



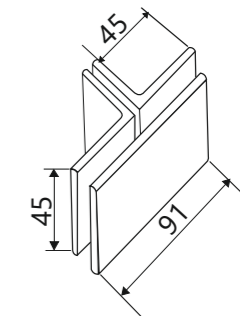
Glass Preparation



Glass Preparation

Features :

- Material : Stainless Steel
- Door Thickness : 10mm to 12mm
- Finish : Satin Stainless Steel (SSS)
Polished Stainless Steel (PSS)



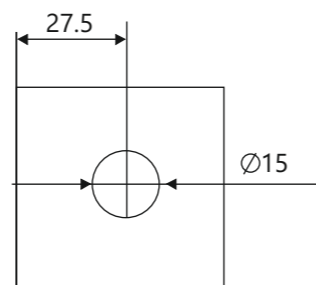
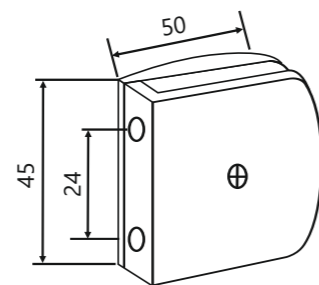
Openable Shower Solution

Curved Shower Connector (Brass)

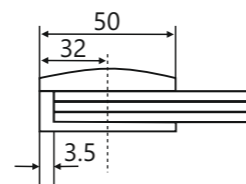
ESH - 1301 Shower Screen Fixing Brackets For Floor / Wall To Glass



Article No.	Finish
ESH - 1301	Brushed Nickel (BN)
ESH - 1301	Bright Chrome Plated (CP)



Glass Preparation



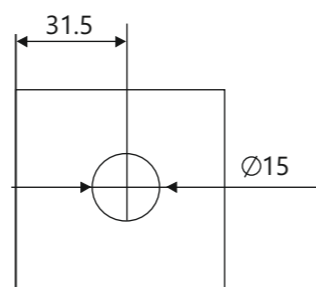
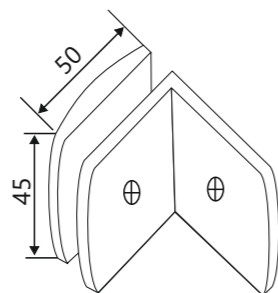
Features :

- Material : Brass
- Door Thickness : 8mm to 10mm
- Finish : Brushed Nickel (BN)
Bright Chrome Plated (CP)

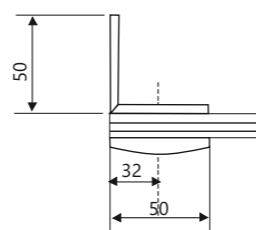
ESH - 1302 Shower Screen Fixing Brackets For Floor / Wall To Glass



Article No.	Finish
ESH - 1302	Brushed Nickel (BN)
ESH - 1302	Bright Chrome Plated (CP)



Glass Preparation



Features :

- Material : Brass
- Door Thickness : 8mm to 10mm
- Finish : Brushed Nickel (BN)
Bright Chrome Plated (CP)

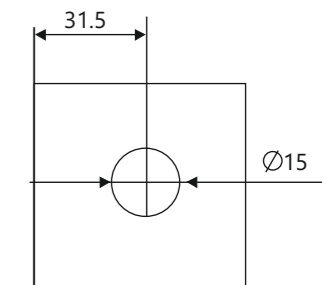
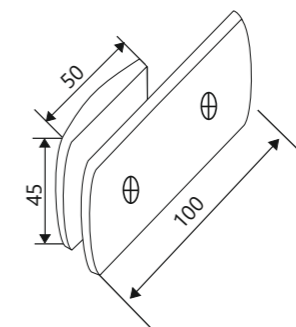
Openable Shower Solution

Curved Shower Connector (Brass)

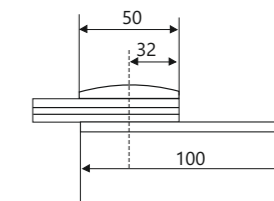
ESH - 1303 Shower Screen Fixing Brackets for 180° Wall to Glass



Article No.	Finish
ESH - 1303	Brushed Nickel (BN)
ESH - 1303	Bright Chrome Plated (CP)



Glass Preparation



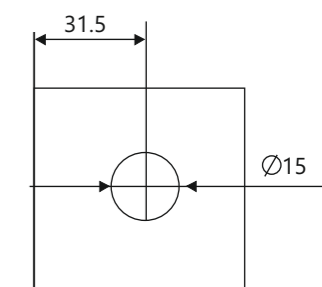
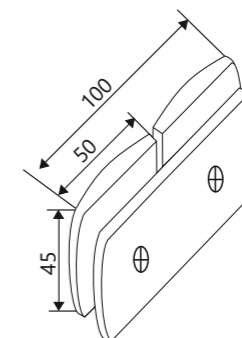
Features :

- Material : Brass
- Door Thickness : 8mm to 10mm
- Finish : Brushed Nickel (BN)
Bright Chrome Plated (CP)

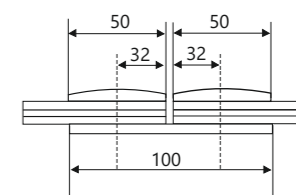
ESH - 1304 Shower Screen Fixing Brackets for 180° Glass to Glass



Article No.	Finish
ESH - 1304	Brushed Nickel (BN)
ESH - 1304	Bright Chrome Plated (CP)



Glass Preparation



Features :

- Material : Brass
- Door Thickness : 8mm to 10mm
- Finish : Brushed Nickel (BN)
Bright Chrome Plated (CP)

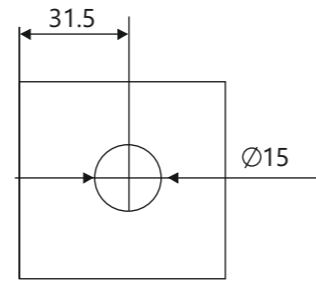
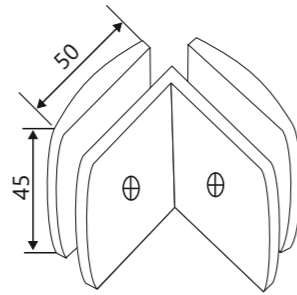
Openable Shower Solution

Curved Shower Connector (Brass)

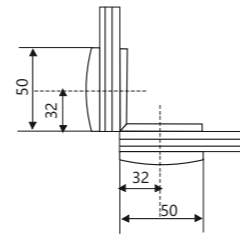
ESH - 1305 Shower Screen Fixing Brackets for 90° Glass to Glass



Article No.	Finish
ESH - 1305	Brushed Nickel (BN)
ESH - 1305	Bright Chrome Plated (CP)



Glass Preparation



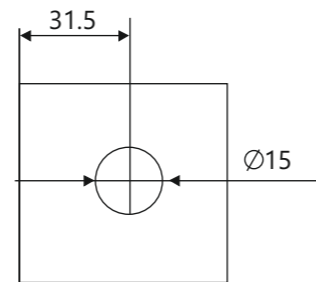
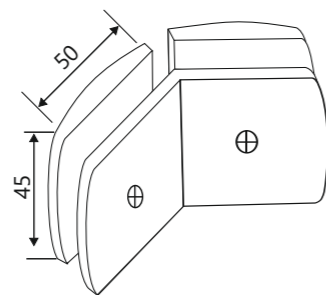
Features :

- Material : Brass
- Door Thickness : 8mm to 10mm
- Finish : Brushed Nickel (BN)
Bright Chrome Plated (CP)

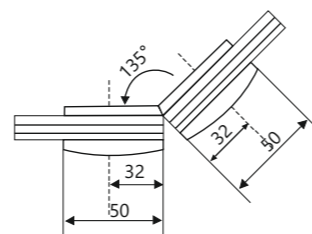
ESH - 1306 Shower Screen Fixing Brackets for 135° Glass to Glass



Article No.	Finish
ESH - 1306	Brushed Nickel (BN)
ESH - 1306	Bright Chrome Plated (CP)



Glass Preparation



Features :

- Material : Brass
- Door Thickness : 8mm to 10mm
- Finish : Brushed Nickel (BN)
Bright Chrome Plated (CP)

Shower Knob

Shower Knob



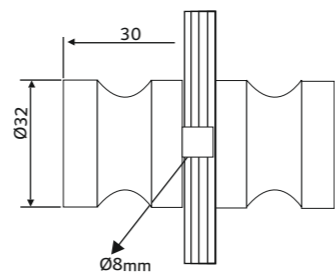
Openable Shower Solution

Shower Knob

EH - 001



Article No.	Finish
EH - 001	Brushed Nickel (BN)
EH - 001	Bright Chrome Plated (CP)



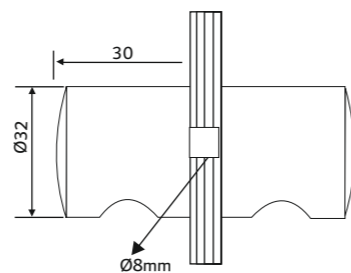
Features :

- Material : Brass
- Door Thickness : 8mm to 12mm
- Finish : Brushed Nickel (BN)
Bright Chrome Plated (CP)

EH - 002



Article No.	Finish
EH - 002	Brushed Nickel (BN)
EH - 002	Bright Chrome Plated (CP)



Features :

- Material : Brass
- Door Thickness : 8mm to 12mm
- Finish : Brushed Nickel (BN)
Bright Chrome Plated (CP)

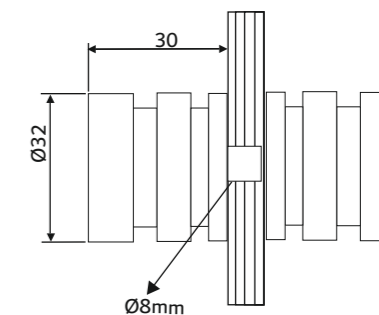
Openable Shower Solution

Shower Knob

EH - 003



Article No.	Finish
EH - 003	Brushed Nickel (BN)
EH - 003	Bright Chrome Plated (CP)



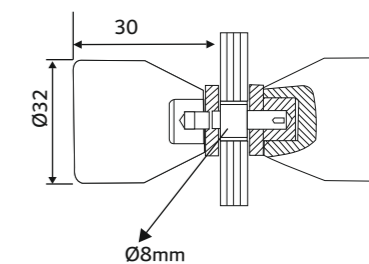
Features :

- Material : Brass
- Door Thickness : 8mm to 12mm
- Finish : Brushed Nickel (BN)
Bright Chrome Plated (CP)

EH - 013



Article No.	Finish
EH - 013	Brushed Nickel (BN)
EH - 013	Bright Chrome Plated (CP)



Features :

- Material : Brass
- Door Thickness : 8mm to 12mm
- Finish : Brushed Nickel (BN)
Bright Chrome Plated (CP)

Openable Shower Solution

Shower Door Handle

EH - 005 / 006 / 007 / 008 / 009 / 010 / 011 / 012 Glass Door Handle

Glass Shower Handle

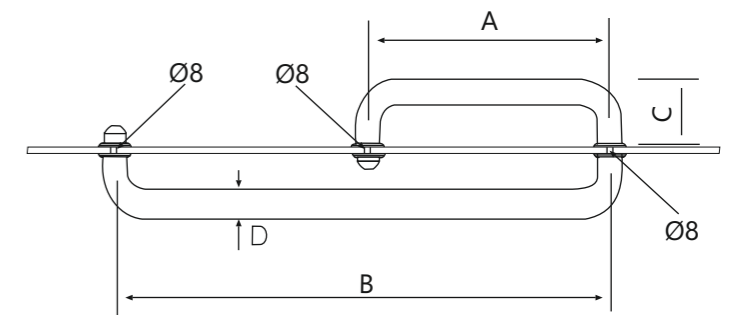


Shower Door Handle
Shower Door Handle



Features :

- Material : Stainless Steel
- Door Thickness : 8mm to 12mm
- Finish : Satin Stainless Steel (SSS)
Polished Stainless Steel (PSS)



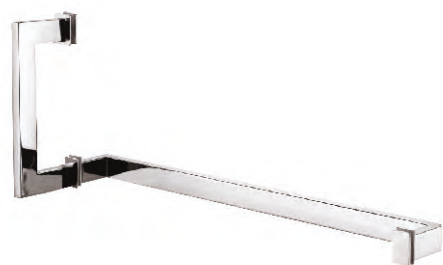
Technical Detail

Product code	Finish	Size			
		A	B	C	D
EH - 08	SSS / PSS	150	400	62	19
EH - 05	SSS / PSS	150	450	62	19
EH - 06	SSS / PSS	200	400	62	19
EH - 07	SSS / PSS	200	450	62	19
EH - 09	SSS	150	400	72	25
EH - 10	SSS	150	450	72	25
EH - 11	SSS	200	400	72	25
EH - 12	SSS	200	450	72	25

Openable Shower Solution

Shower Door Handle

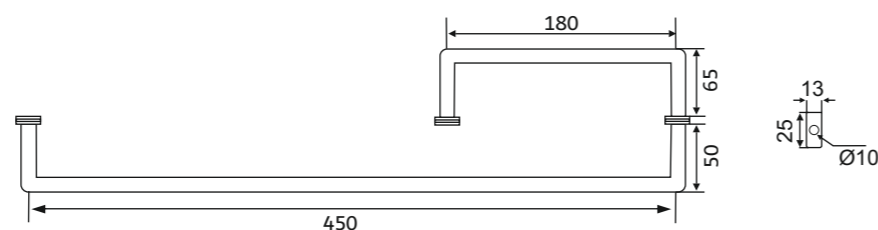
EH - 014



Article No.	Finish
EH - 014	Satin Stainless Steel (SSS)

Features :

- For 8 mm to 12 mm Glass.
- Material : Stainless Steel.
- Finish : Satin Stainless Steel (SSS).



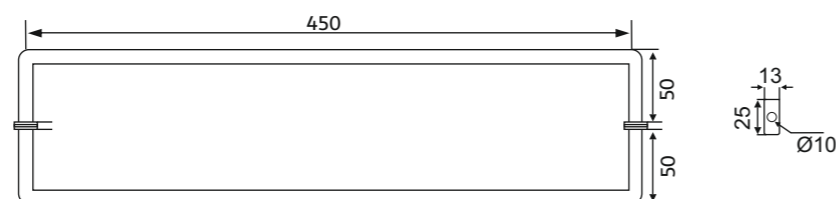
EH - 015



Article No.	Finish
EH - 015	Satin Stainless Steel (SSS)

Features :

- For 8 mm to 12 mm Glass.
- Material : Stainless Steel.
- Finish : Satin Stainless Steel (SSS).



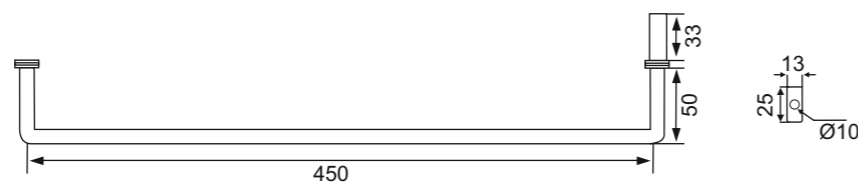
EH - 016



Article No.	Finish
EH - 016	Satin Stainless Steel (SSS)

Features :

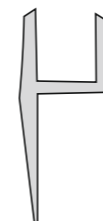
- For 8 mm to 12 mm Glass.
- Material : Stainless Steel.
- Finish : Satin Stainless Steel (SSS).



Openable Shower Solution

Glass Sealing Profiles

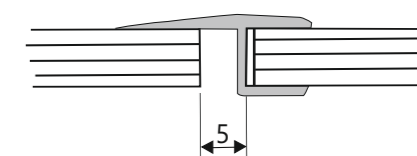
EGP - 501 Glass to Glass 180°



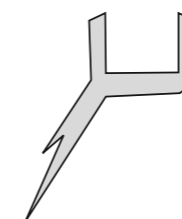
Article No.	Finish
EGP - 501	Transparent

Features :

- Weather Seal Used Between Door Panels.
- Seal Acts also as Doorstop.
- Door Can Only Open Outward.
- For 8mm / 10mm / 12mm Glass.
- Size : 2200mm.
- Finish : Transparent.



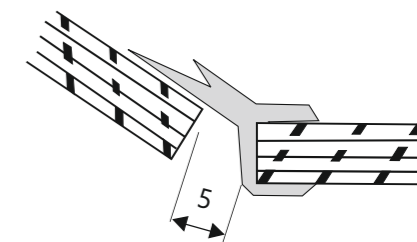
EGP - 502 Glass to Glass 135°



Article No.	Finish
EGP - 502	Transparent

Features :

- Weather Seal Used Between Door Panels.
- Glass to Glass hinge 135°.
- Door Can Only Open Outward.
- For 8mm / 10mm / 12mm Glass.
- Size : 2200mm.
- Finish : Transparent.



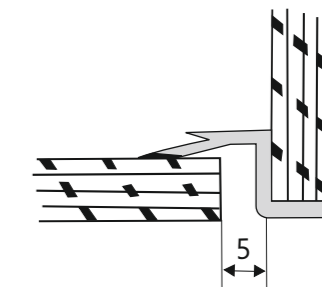
EGP - 503 Glass to Glass 90°



Article No.	Finish
EGP - 503	Transparent

Features :

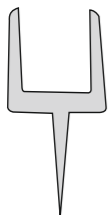
- Weather Seal Used Between Door Panels.
- Glass to Glass hinge 90°.
- Door Can Only Open Outward.
- For 8mm / 10mm / 12mm Glass.
- Size : 2200mm.
- Finish : Transparent.



Openable Shower Solution

Glass Sealing Profiles

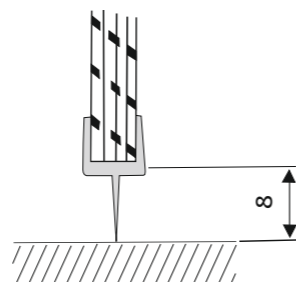
EGP - 504 Glass to Floor



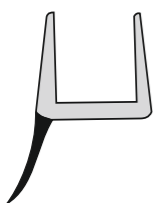
Article No.	Finish
EGP - 504	Transparent

Features :

- Center & Bottom Seal For Sealing double action door and wall.
- For 8mm / 10mm / 12mm Glass.
- Size : 2200mm.
- Finish : Transparent.



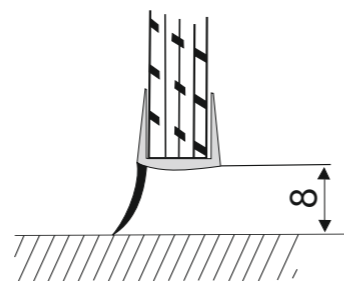
EGP - 505 Glass to Floor/Wall



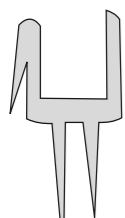
Article No.	Finish
EGP - 505	Transparent

Features :

- Wall & Bottom Seal with Soft lip.
- For 8mm / 10mm / 12mm Glass.
- Size : 2200mm.
- Finish : Transparent.



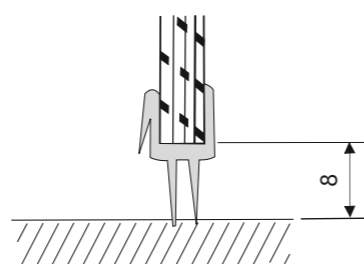
EGP - 506 Glass to Floor



Article No.	Finish
EGP - 506	Transparent

Features :

- Bottom Seal.
- Extruded with water run off plate.
- For 8mm / 10mm / 12mm Glass.
- Size : 2200mm.
- Finish : Transparent.



Openable Shower Solution

Glass Sealing Profiles

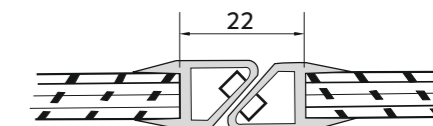
EGP - 507 Glass to Glass 180°



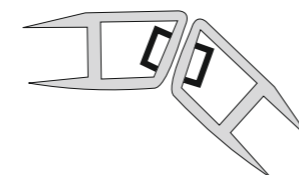
Article No.	Finish
EGP - 507	Transparent

Features :

- Magnetic Seal for 180°.
- Door Can Only Open Outward.
- For 8mm / 10mm / 12mm Glass.
- Size : 2200mm.
- Finish : Transparent with White / Black Magnet.



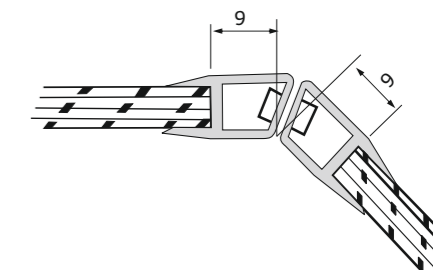
EGP - 508 Glass to Glass 135°



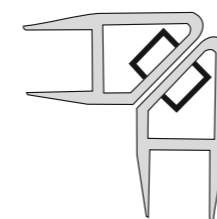
Article No.	Finish
EGP - 508	Transparent

Features :

- Magnetic Seal for 135°.
- Door Can Only Open Outward.
- For 8mm / 10mm / 12mm Glass.
- Size : 2200mm.
- Finish : Transparent with White / Black Magnet.



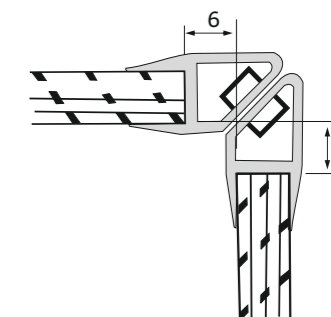
EGP - 509 Glass to Glass 90°



Article No.	Finish
EGP - 509	Transparent

Features :

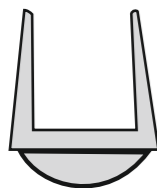
- Magnetic Seal for 90°.
- Door Can Only Open Outward.
- For 8mm / 10mm / 12mm Glass.
- Size : 2200mm.
- Finish : Transparent with White / Black Magnet.



Openable Shower Solution

Glass Sealing Profiles

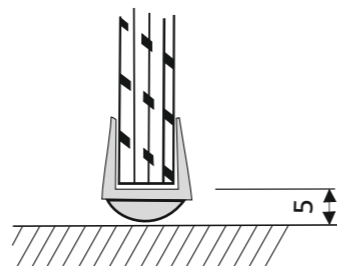
EGP - 510 Glass to Floor/Wall



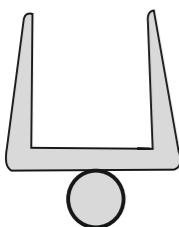
Article No.	Finish
EGP - 510	Transparent

Features :

- Weather Seal Used Between Door Side Panels.
- Opposite Hinge end .
- For 8mm / 10mm / 12mm Glass.
- Size : 2200mm.
- Finish : Transparent.



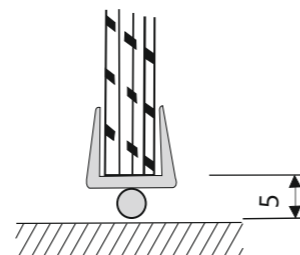
EGP - 511 Glass to Floor / Wall



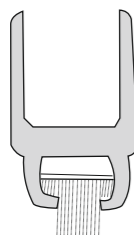
Article No.	Finish
EGP - 511	Transparent

Features :

- Soft nose seal for bottom and side.
- For 8mm / 10mm / 12mm Glass.
- Size : 2200mm.
- Finish : Transparent.



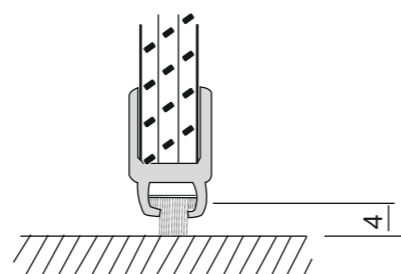
EGP - 512 PVC Profile with Sliding



Article No.	Finish
EGP - 512	Transparent

Features :

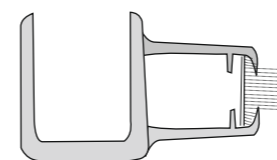
- PVC Profile with Brush For Sliding Door.
- For 10mm / 12mm Glass.
- Size : 2200mm.
- Finish : Transparent.



Openable Shower Solution

Glass Sealing Profiles

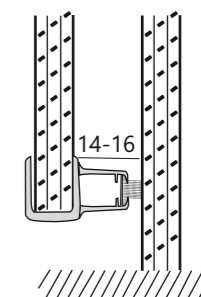
EGP - 513 PVC Profile with Sliding



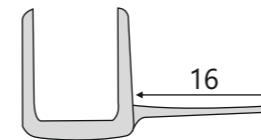
Article No.	Finish
EGP - 513	Transparent

Features :

- For Overlay Sliding Door(With Brush).
- For 10mm / 12mm Glass.
- Size : 2200mm.
- Finish : Transparent.



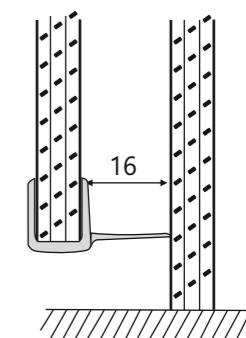
EGP - 514 PVC Profile with Sliding



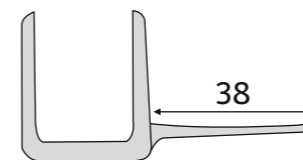
Article No.	Finish
EGP - 514	Transparent

Features :

- Magnetic Seal for 135°.
- Door Can Only Open Outward.
- For 8mm / 10mm / 12mm Glass.
- Size : 2200mm.
- Finish : Transparent with White / Black Magnet.



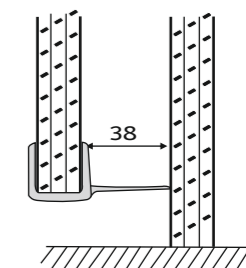
EGP - 515 PVC Profile with Sliding



Article No.	Finish
EGP - 515	Transparent

Features :

- For Overlay Sliding Door.
- For 10mm / 12mm Glass.
- Size : 2200mm.
- Finish : Transparent.



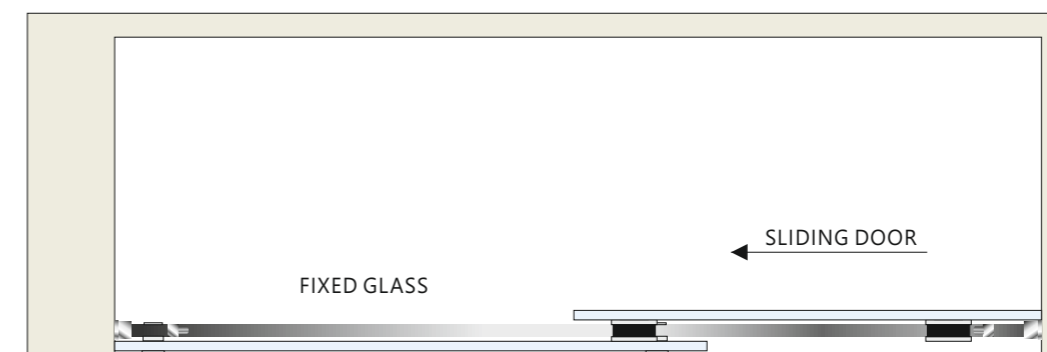
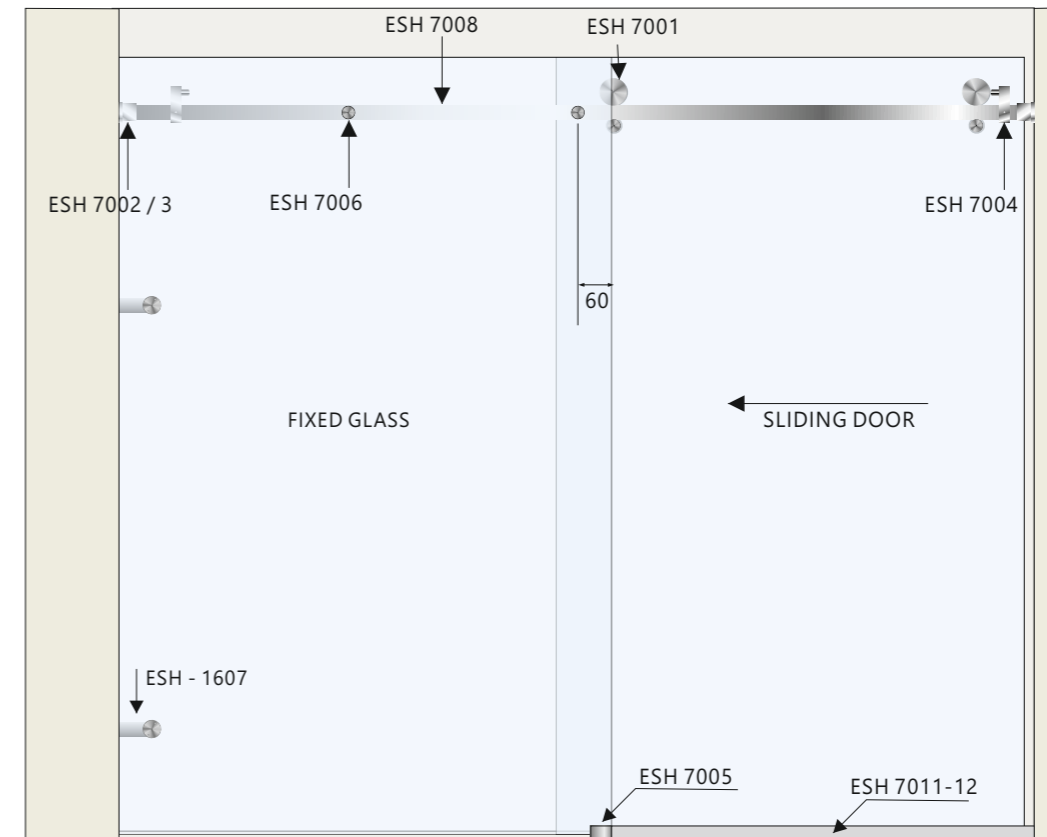
Sliding Shower Solution

**ESH - 7001
Shower Glass Sliding Roller**

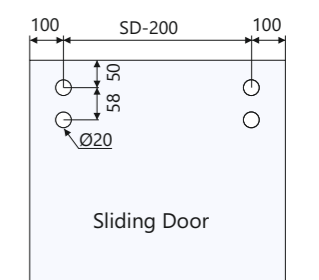
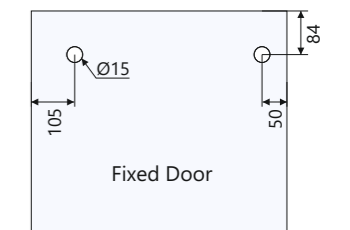
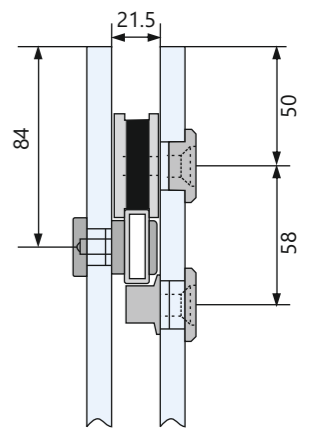
- Features :
- For 8 mm to 10 mm glass.
 - For straight glass sliding door.
 - Trouble free operation.
 - Material : Stainless Steel.
 - Finish : Satin Stainless Steel.
 - Maximum Glass Weight : 80 kgs/Panel.



Mounting example



Glass Preparation



Sliding Shower Solution

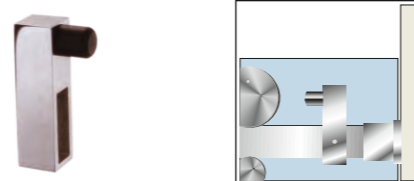
Shower Glass Sliding Roller

ESH - 7004

ESH - 7004
Door Stopper

Features :

- Material : Stainless Steel.
- Finish : Satin Stainless Steel.



ESH - 7006

ESH - 7006
Clamp fixing for glass to track

Features :

- Material : Stainless Steel.
- Finish : Satin Stainless Steel.



ESH - 7002

ESH - 7002
Wall Socket for Track

Features :

- Material : Stainless Steel.
- Finish : Satin Stainless Steel.



ESH - 7008

ESH - 7008
Rectangular Track

Features :

- Material : Stainless Steel.
- Finish : Satin Stainless Steel.
- Size : 1000mm/1650MM/2000MM/3000MM.

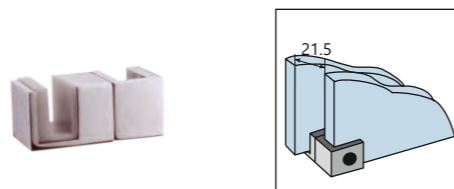


ESH - 7005

ESH - 7005
Floor Guide

Features :

- For 8mm to 10mm Glass.
- Material : Stainless Steel.
- Finish : Satin Stainless Steel.



Sliding Shower Solution

Shower Glass Sliding Roller

ESH - 7010

ESH - 7010
90° Track Connector

Features :

- Material : Stainless Steel.
- Finish : Satin Stainless Steel.



ESH - 7009

ESH - 7009
Glass to Track End Socket

Features :

- Material : Stainless Steel.
- Finish : Satin Stainless Steel.



ESH - 7011

ESH - 7011
Wall Mounting Waterproof Threshold

Features :

- Material : Stainless Steel.
- Finish : Satin Stainless Steel.
- Size : 900mm.



ESH - 7012

ESH - 7012
Glass Mounting Waterproof Threshold

Features :

- Material : Stainless Steel.
- Finish : Satin Stainless Steel.
- Size : 900mm.

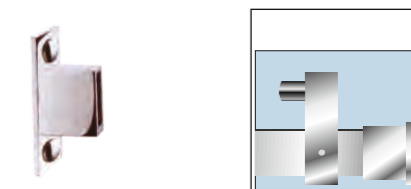


ESH - 7003

ESH - 7003
Plate Type Wall Socket for Track

Features :

- Material : Stainless Steel.
- Finish : Satin Stainless Steel.



Ordering Information - for ESH - 7001 Full Set

Product code	ESH - 7001	ESH - 7004	ESH - 7006	ESH - 7002	ESH - 7008	ESH - 7005	ESH - 1607
Quantity for ESH 7001 FS - 1.65mtr	2 Pcs	2 Pcs	2 Pcs	2 Pcs	1 Pcs (1650mm)	1 Pcs	2 Pcs
Quantity for ESH 7001 FS - 2mtr	2 Pcs	2 Pcs	2 Pcs	2 Pcs	1 Pcs (2000mm)	1 Pcs	2 Pcs

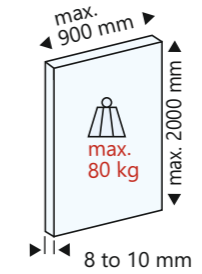


Sliding Shower Solution

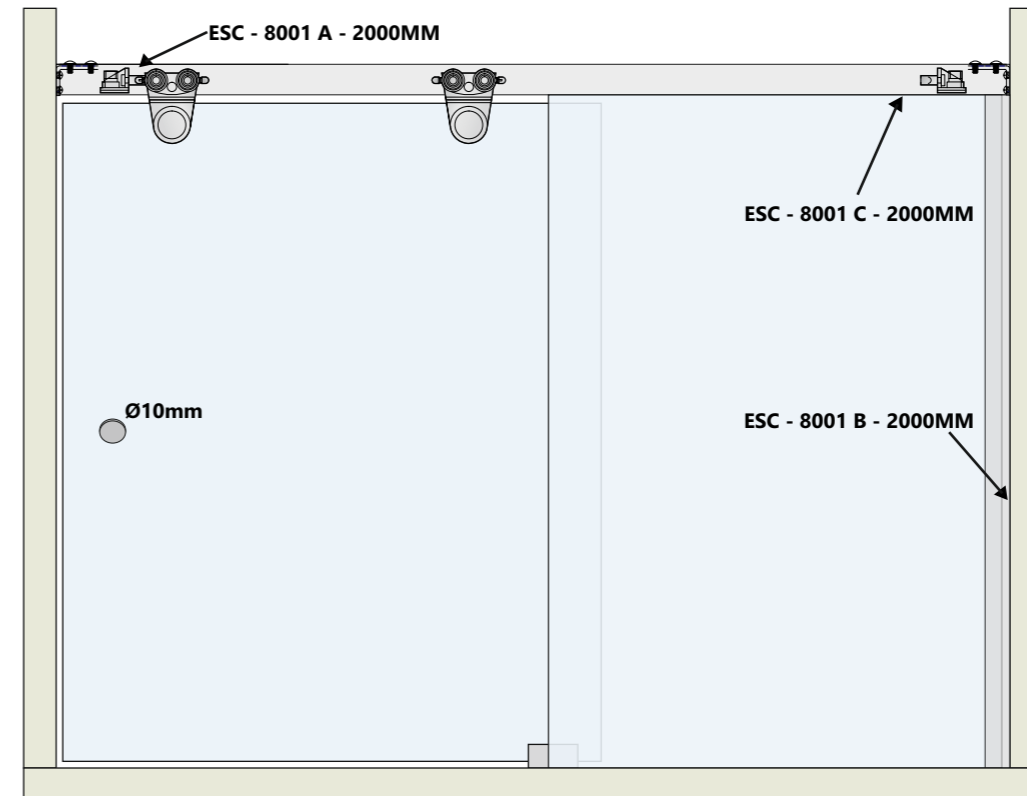
**ESH - 8001
ELITE Shower Glass Sliding Roller**

Features :

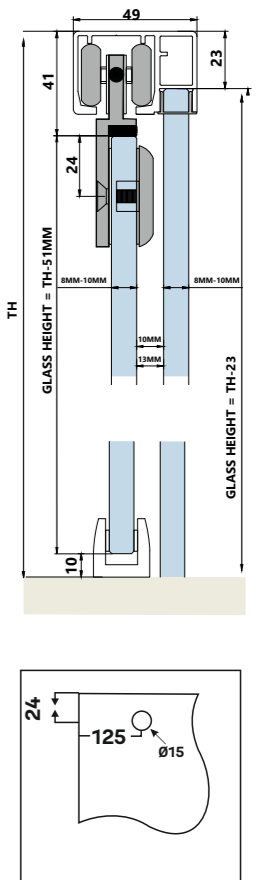
- For Straight Glass Shower Sliding Door.
- For Glass Thickness 8mm to 10mm
- Trouble Free operation
- Standard duty ball bearing for rollers/clamp
- Finish : CP/Chrome
- Maximum Height : 8mm Glass 2400mm /
10mm Glass 2100mm
- Maximum Width : 8mm Glass 1000mm /
10mm Glass 750mm
- Maximum glass weight : 80kgs/Panel.



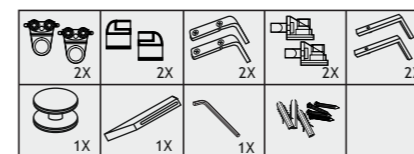
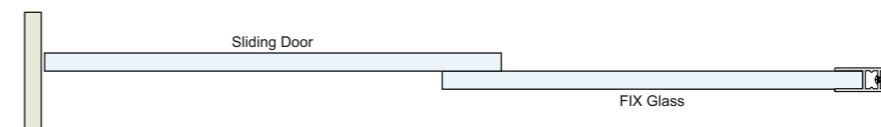
Mounting example



Glass Preparation

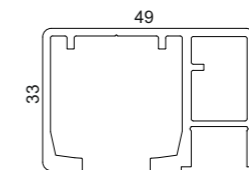


ELITE Shower Sliding Systems

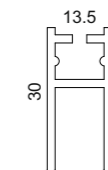


ELITE Shower Sliding glass 1 doors
(1 Fix + 1 Sliding Doors)

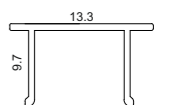
SET



ESH - 8001



ESC - 8001 A - 2000MM



ESC - 8001 B - 2000MM

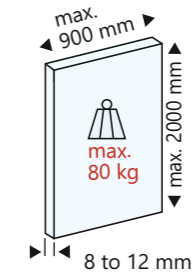


Sliding Shower Solution

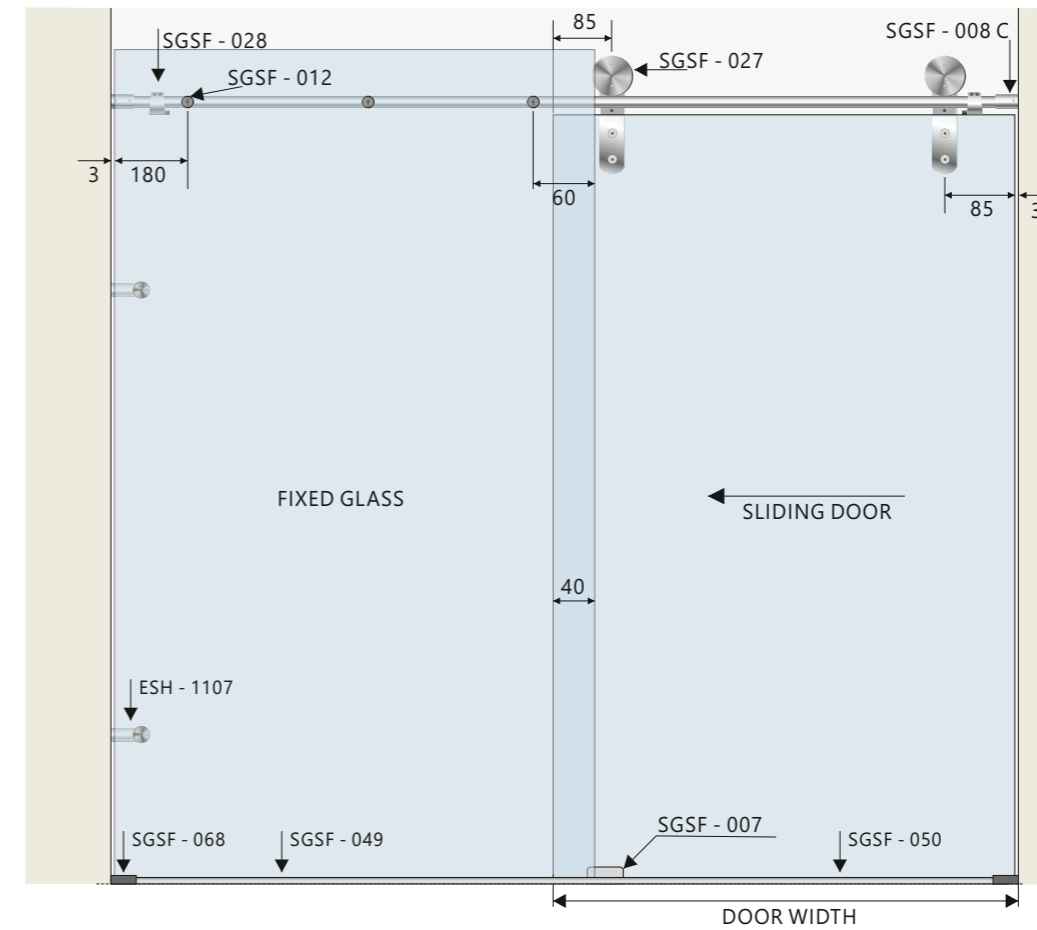
SGSF - 027 Mini Swift Glass Sliding Fitting (Flat)

Features :

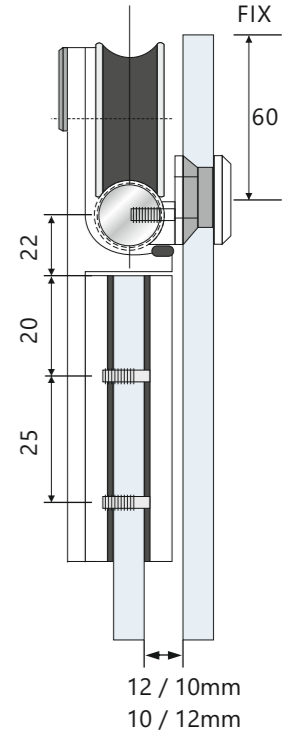
- For 8 mm to 10 mm glass.
- For straight glass sliding door.
- Trouble free operation.
- Material : Stainless Steel.
- Finish : Satin Stainless Steel.
- Maximum Glass Weight : 80 kgs/Panel.



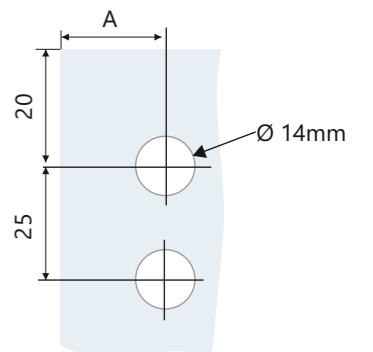
Mounting example



Glass Preparation



SIZE A≥85MM



Sliding Shower Solution

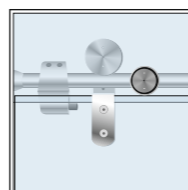
Mini Swift Glass Sliding Fitting (Flat)

SGSF - 028

SGSF - 028
Door Stopper for SGSF - 027

Features :

- Material : Stainless Steel.
- Finish : Satin Stainless Steel.

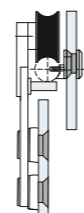


SGSF - 012

SGSF - 12
Clamp fixing for glass to rod (For SWIFT ROD-002)

Features :

- For 10 mm to 12 mm glass.
- Material : Stainless Steel.
- Finish : Satin Stainless Steel.



SGSF - 008 C

SGSF - 008 C
Socket for Swift Rod - 002 (The Connection with Rod & Wall)

Features :

- Material : Stainless Steel.
- Finish : Satin Stainless Steel.



SGSF - 007

SGSF - 007
Floor Guide

Features:

- For 10mm to 12mm Glass
- Material : White Metal (Zinc Alloy)
- Finish : Brushed Nickel (BN)



SWIFT ROD - 002

SWIFT ROD - 002 - Ø19

Features :

- Material : Stainless Steel.
- Finish : Satin Stainless Steel.
- Size : 2000mm / 2500mm / 3000mm / 3600mm



Sliding Shower Solution

Mini Swift Glass Sliding Fitting (Flat)

SGSF - 049 - 10/12

SGSF - 49 - 10/12
Shower glazing profile for fixing glass

Features :

- For 10 mm to 12 mm glass.
- Material : Aluminium.
- Finish : Satin Stainless Steel (SSS).
- Size : 2000mm.



SGSF - 050 - 10/12

SGSF - 50 - 10/12
Inner section for shower glazing cover cap for SGSF - 049

Features :

- For 10 mm to 12 mm glass.
- Material : Aluminium.
- Finish : Satin Stainless Steel (SSS).
- Size : 2000mm.



SGSF - 068

SGSF - 068
End connector cap for shower glazing profile for SGSF - 049

Features :

- Material : Stainless Steel.
- Finish : Satin Stainless Steel (SSS).



ESH - 1107

ESH - 1107
Bracket for 90° Wall to Glass

Features :

- Material : Stainless Steel
- Door Thickness : 8mm to 12mm
- Finish : Satin Stainless Steel (SSS)



Ordering Information - for SGSF - 027 Full Set

Product code	SGSF - 027	SGSF - 028	SGSF - 012	SGSF 008 C	SGSF - 007
Quantity for SGSF - 027 - Full Set - 2000mm (10mm)	1 Pair	1 Set	2 Pcs	2 Pcs	1 Pcs
Quantity for SGSF - 027 - Full Set - 2000mm (12mm)	1 Pair	1 Set	2 Pcs	2 Pcs	1 Pcs
	SGSF - 049	SGSF - 050	SGSF - 068	ESH - 1107	Swift Rod - 002 - Ø20
	1 Pcs	1 Pcs	2 Pcs	2 Pcs	1 Pcs (2000mm)
	1 Pcs	1 Pcs	2 Pcs	2 Pcs	1 Pcs (2000mm)

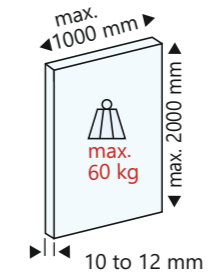


Sliding Shower Solution

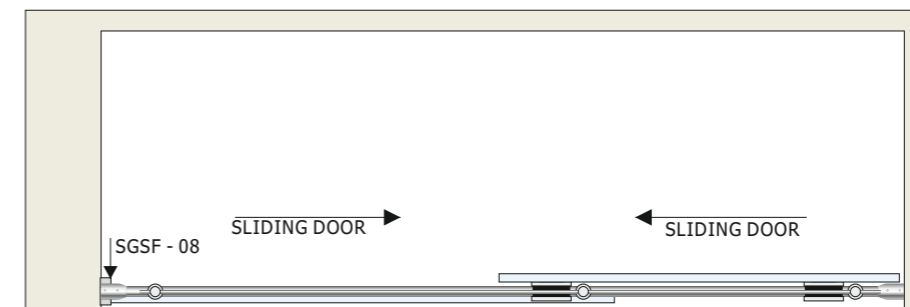
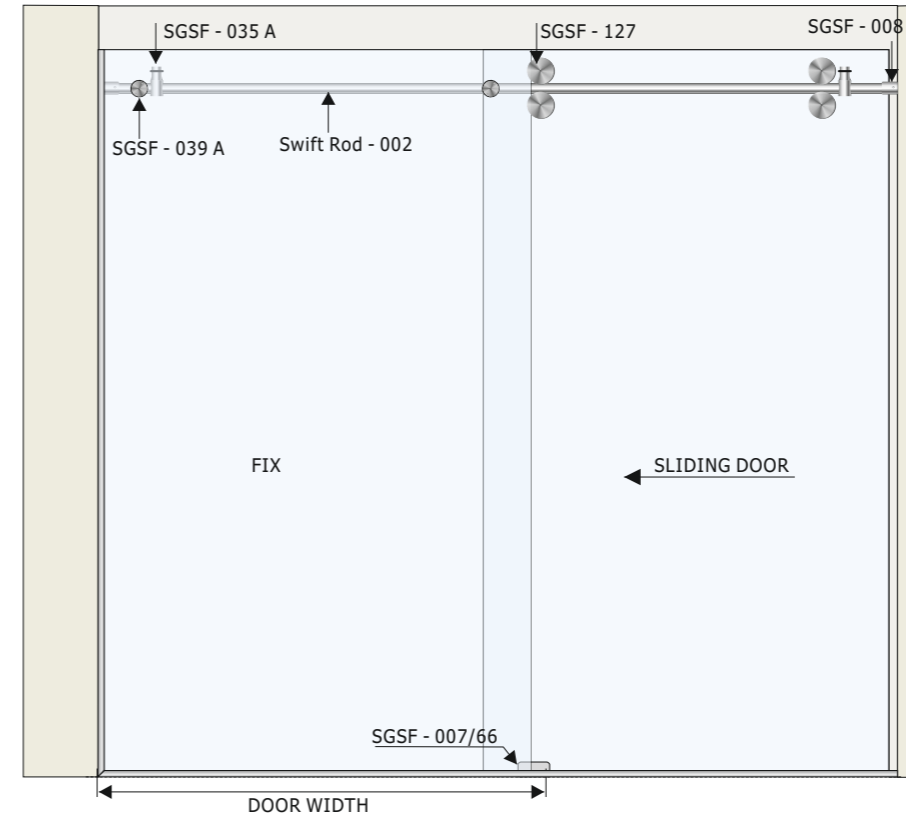
SGSF - 127
Mini Swift Glass Sliding Fitting (SUS 304)

Features :

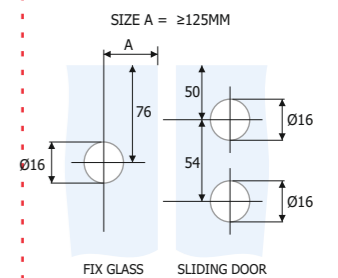
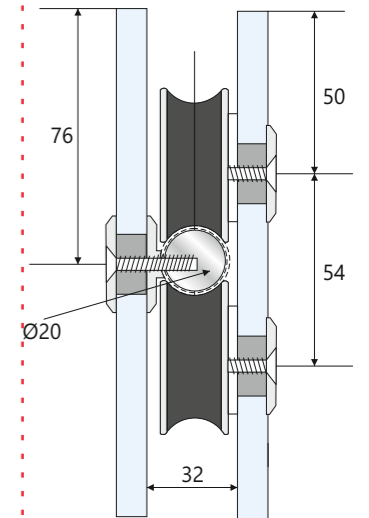
- For 8mm to 12mm Glass.
- Material : Stainless Steel.
- Finish : Satin Stainless Steel.
- Max. Glass Weight : 60 kgs/panel.



Mounting example



Glass Preparation



Sliding Shower Solution

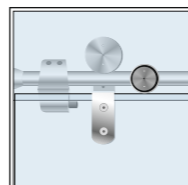
Mini Swift Glass Sliding Fitting (Flat)

SGSF - 041 A

SGSF - 041 A Door Stopper

Features :

- Material : Stainless Steel.
- Finish : Satin Stainless Steel.

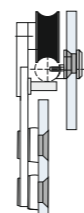


SGSF - 012

SGSF - 12 Clamp fixing for glass to rod (For SWIFT ROD-002)

Features :

- For 10 mm to 12 mm glass.
- Material : Stainless Steel.
- Finish : Satin Stainless Steel.



SGSF - 008 C

SGSF - 008 C Socket for Swift Rod - 002 (The Connection with Rod & Wall)

Features :

- Material : Stainless Steel.
- Finish : Satin Stainless Steel.



SGSF - 007

SGSF - 007 Floor Guide

Features:

- For 10mm to 12mm Glass
- Material : White Metal (Zinc Alloy)
- Finish : Brushed Nickel (BN)



SWIFT ROD - 002

SWIFT ROD - 002 - Ø19

Features :

- Material : Stainless Steel.
- Finish : Satin Stainless Steel.
- Size : 2000mm / 2500mm / 3000mm / 3600mm



Sliding Shower Solution

Mini Swift Glass Sliding Fitting (Flat)

SGSF - 049 - 10/12

SGSF - 49 - 10/12 Shower glazing profile for fixing glass

Features :

- For 10 mm to 12 mm glass.
- Material : Aluminium.
- Finish : Satin Stainless Steel (SSS).
- Size : 2000mm.



SGSF - 050 - 10/12

SGSF - 50 - 10/12 Inner section for shower glazing cover cap for SGSF - 049

Features :

- For 10 mm to 12 mm glass.
- Material : Aluminium.
- Finish : Satin Stainless Steel (SSS).
- Size : 2000mm.



SGSF - 068

SGSF - 068 End connector cap for shower glazing profile for SGSF - 049

Features :

- Material : Stainless Steel.
- Finish : Satin Stainless Steel (SSS).



ESH - 1107

ESH - 1107 Bracket for 90° Wall to Glass

Features :

- Material : Stainless Steel
- Door Thickness : 8mm to 12mm
- Finish : Satin Stainless Steel (SSS)



Ordering Information - for SGSF - 127 Full Set

Product code	SGSF - 127	SGSF - 012	SGSF 008 C	SGSF - 007	SGSF - 041 A
Quantity for SGSF - 027 - Full Set - 2000mm (10mm)	4 Pcs	2 Pcs	2 Pcs	1 Pcs	2 Pcs
Quantity for SGSF - 027 - Full Set - 2000mm (12mm)	4 Pcs	2 Pcs	2 Pcs	1 Pcs	2 Pcs
	SGSF - 049	SGSF - 050	SGSF - 068	ESH - 1107	Swift Rod - 002 - Ø19
	1 Pcs	1 Pcs	2 Pcs	2 Pcs	1 Pcs (2000mm)
	1 Pcs	1 Pcs	2 Pcs	2 Pcs	1 Pcs (2000mm)



Sliding Shower Solution

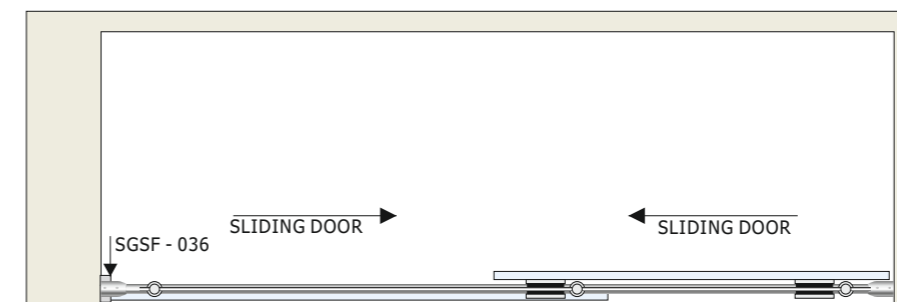
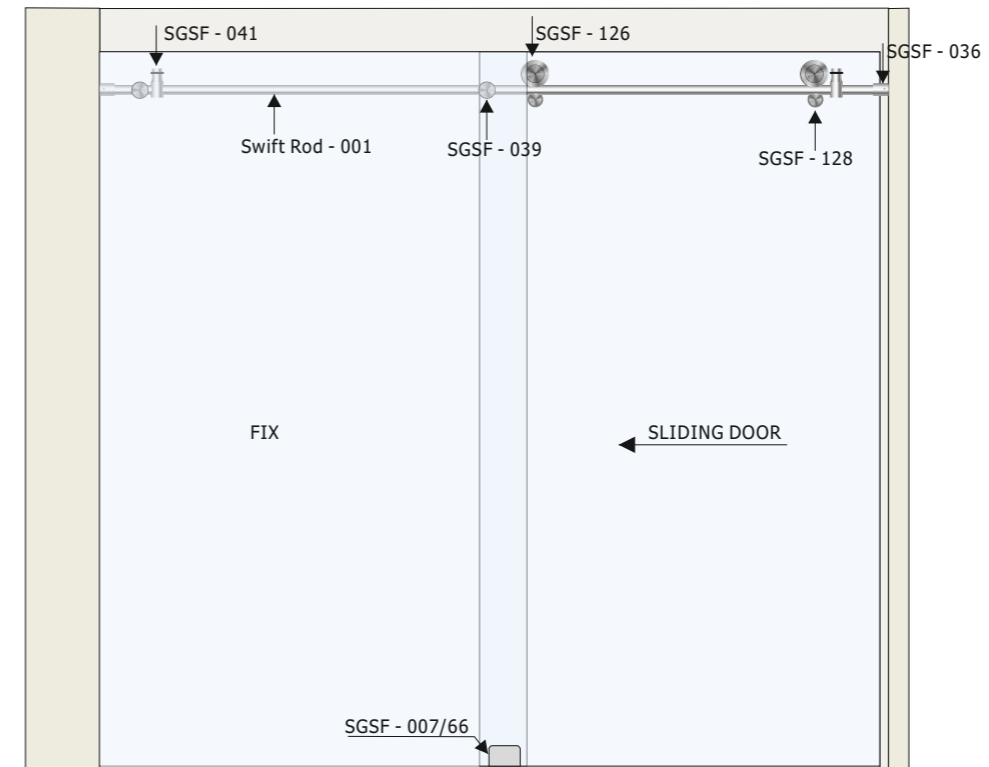
**SGSF - 126
Shower Glass Sliding Roller**

Features :

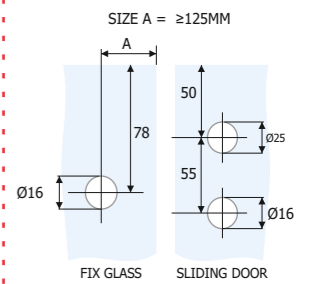
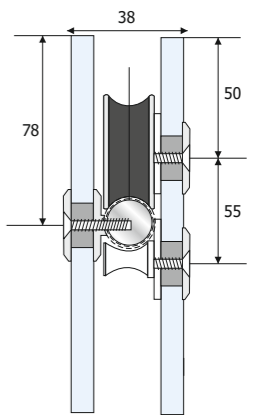
- For 10mm to 12mm Glass.
- Material : Stainless Steel.
- Finish : Satin Stainless Steel.
- Max. Glass Weight : 150 kgs/panel.



Mounting example



Glass Preparation



Sliding Shower Solution

Shower Glass Sliding Roller

SGSF - 128

SGSF - 128
Bracket Support Track for Anti Jump

Features :

- Material : Stainless Steel.
- Finish : Satin Stainless Steel.



SGSF - 041

SGSF - 041
Door Stopper

Features :

- Material : Stainless Steel.
- Finish : Satin Stainless Steel.



SGSF - 012 A

SGSF - 012 A
Clamp Fixing for Glass to Track

Features :

- Material : Stainless Steel.
- Finish : Satin Stainless Steel.



SGSF - 007

SGSF - 007
Floor Guide

Features:

- For 10mm to 12mm Glass
- Material : White Metal (Zinc Alloy)
- Finish : Brushed Nickel (BN)



SGSF - 036

SGSF - 036
Wall Socket for Rod

Features :

- Material : Stainless Steel.
- Finish : Satin Stainless Steel.
- Size : 2000 mm.



SWIFT ROD - 001

SWIFT ROD - 001 - Ø25

Features :

- Material : Stainless Steel.
- Finish : Satin Stainless Steel.
- Size : 2000mm / 2500mm / 3000mm / 3600mm.



Sliding Shower Solution

Shower Glass Sliding Roller

SGSF - 049 - 10/12

SGSF - 49 - 10/12
Shower glazing profile for fixing glass

Features :

- For 10 mm to 12 mm glass.
- Material : Aluminium.
- Finish : Satin Stainless Steel (SSS).
- Size : 2000mm.



SGSF - 050 - 10/12

SGSF - 50 - 10/12
Inner section for shower glazing cover cap for SGSF - 049

Features :

- For 10 mm to 12 mm glass.
- Material : Aluminium.
- Finish : Satin Stainless Steel (SSS).
- Size : 2000mm.



SGSF - 068

SGSF - 068
End connector cap for shower glazing profile for SGSF - 049

Features :

- Material : Stainless Steel.
- Finish : Satin Stainless Steel (SSS).



ESH - 1107

ESH - 1107
Bracket for 90° Wall to Glass

Features :

- Material : Stainless Steel
- Door Thickness : 8mm to 12mm
- Finish : Satin Stainless Steel (SSS)



Ordering Information - for SGSF - 126 Full Set

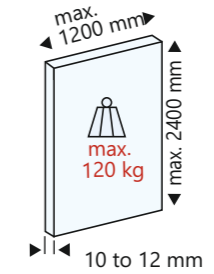
Product code	SGSF - 126	SGSF - 012 A	SGSF - 036	SGSF 007	SGSF - 041	
Quantity for SGSF - 080 - Full Set - 2000mm (10mm)	2 Pcs	2 Pcs	2 Pcs	1 Pcs	2 Pcs	
Quantity for SGSF - 080 - Full Set - 2000mm (12mm)	2 Pcs	2 Pcs	2 Pcs	1 Pcs	2 Pcs	
	SGSF - 128	SGSF - 049	SGSF - 050	SGSF - 068	Swift Rod - 001	ESH - 1107
	2 Pcs	1 Pcs	1 Pcs	2 Pcs	1 Pcs (2000mm)	2 Pcs
	2 Pcs	1 Pcs	1 Pcs	2 Pcs	1 Pcs (2000mm)	2 Pcs

Sliding Shower Solution

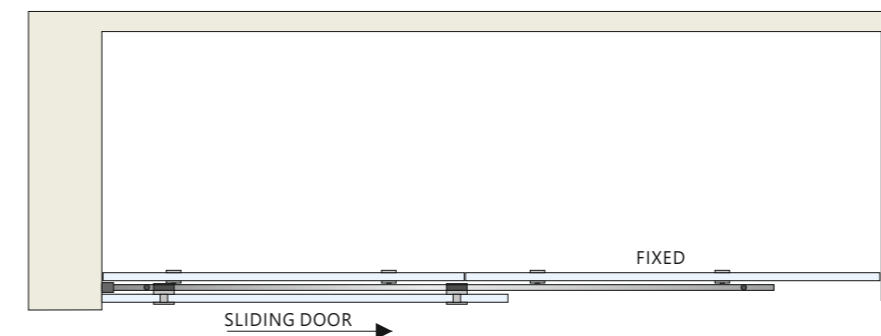
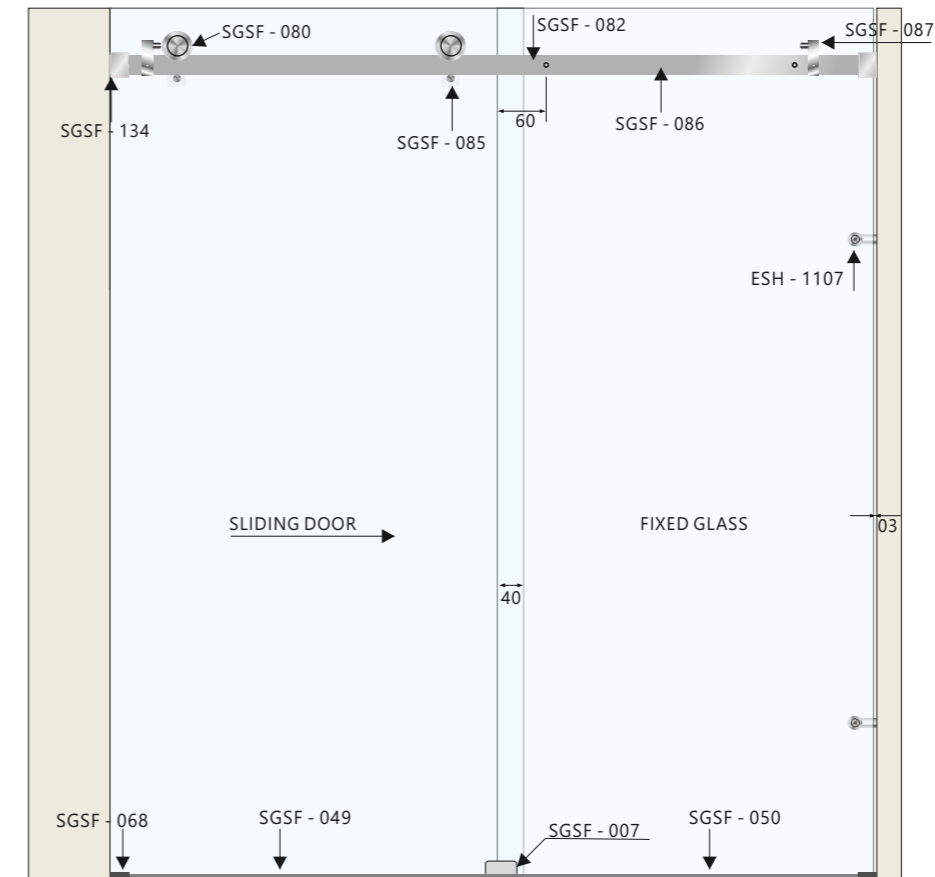
**SGSF - 080
Shower Glass Sliding Roller**

Features :

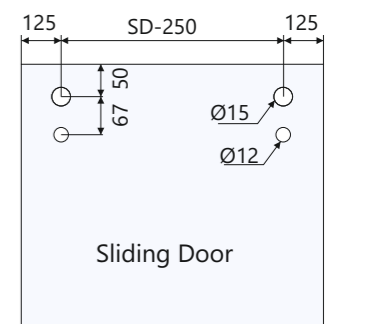
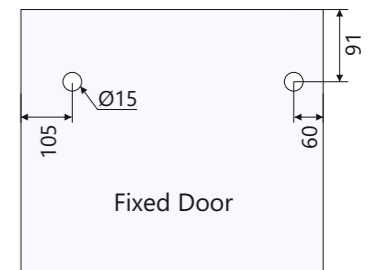
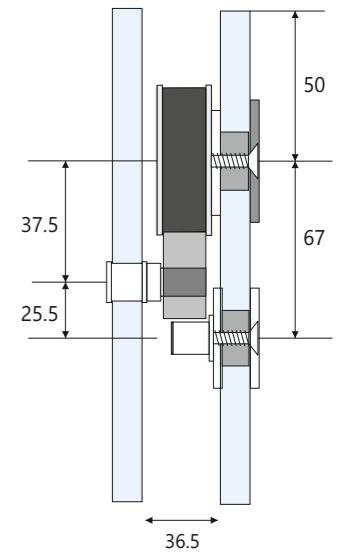
- For 8 mm to 10 mm glass.
- For straight shower glass sliding door.
- Trouble free operation.
- Material : Stainless Steel.
- Finish : Satin Stainless Steel.
- Maximum Glass Weight : 100 kgs/Panel.



Mounting example



Glass Preparation



Sliding Shower Solution

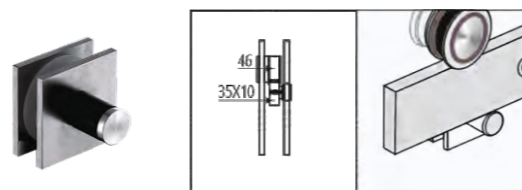
Shower Glass Sliding Roller

SGSF - 085

SGSF - 085
Bracket Support Track for Anti Jump

Features :

- Material : Stainless Steel.
- Finish : Satin Stainless Steel.

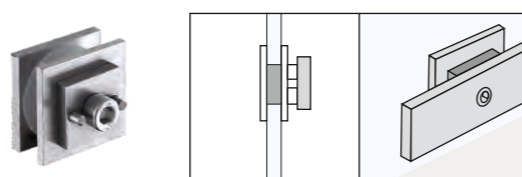


SGSF - 082

SGSF - 082
Clamp Fixing for Glass to Track

Features :

- Material : Stainless Steel.
- Finish : Satin Stainless Steel.



SGSF - 087

SGSF - 087
Door Stopper

Features :

- Material : Stainless Steel.
- Finish : Satin Stainless Steel.



SGSF - 134

SGSF - 134
Wall Socket for SGSF - 086

Features :

- Material : Stainless Steel.
- Finish : Satin Stainless Steel.



SGSF - 007

SGSF - 007
Floor Guide

Features:

- For 10mm to 12mm Glass
- Material : White Metal (Zinc Alloy)
- Finish : Brushed Nickel (BN)

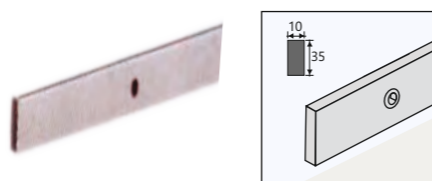


SGSF - 086

SGSF - 086
Rectangular Track (Solid)

Features :

- Material : Stainless Steel.
- Finish : Satin Stainless Steel.
- Size : 2000 mm.



Sliding Shower Solution

Shower Glass Sliding Roller

SGSF - 049 - 10/12

SGSF - 49 - 10/12
Shower glazing profile for fixing glass

Features :

- For 10 mm to 12 mm glass.
- Material : Aluminium.
- Finish : Satin Stainless Steel (SSS).
- Size : 2000mm.



SGSF - 050 - 10/12

SGSF - 50 - 10/12
Inner section for shower glazing cover cap for SGSF - 049

Features :

- For 10 mm to 12 mm glass.
- Material : Aluminium.
- Finish : Satin Stainless Steel (SSS).
- Size : 2000mm.



SGSF - 068

SGSF - 068
End connector cap for shower glazing profile for SGSF - 049

Features :

- Material : Stainless Steel.
- Finish : Satin Stainless Steel (SSS).



ESH - 1107

ESH - 1107
Bracket for 90° Wall to Glass

Features :

- Material : Stainless Steel
- Door Thickness : 8mm to 12mm
- Finish : Satin Stainless Steel (SSS)



Ordering Information - for SGSF - 080 Full Set

Product code	SGSF - 080	SGSF - 085	SGSF - 082	SGSF 087	SGSF - 134
Quantity for SGSF - 080 - Full Set - 2000mm (10mm)	2 Pcs	2 Pcs	2 Pcs	2 Pcs	2 Pcs
Quantity for SGSF - 080 - Full Set - 2000mm (12mm)	2 Pcs	2 Pcs	2 Pcs	2 Pcs	2 Pcs
	SGSF - 007	SGSF - 049	SGSF - 050	SGSF - 068	SGSF - 086
	1 Pcs	1 Pcs	1 Pcs	2 Pcs	1 Pcs (2000mm)
	1 Pcs	1 Pcs	1 Pcs	2 Pcs	1 Pcs (2000mm)
					ESH - 1107
					2 Pcs
					2 Pcs

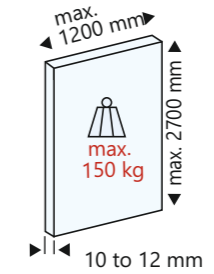


Sliding Shower Solution

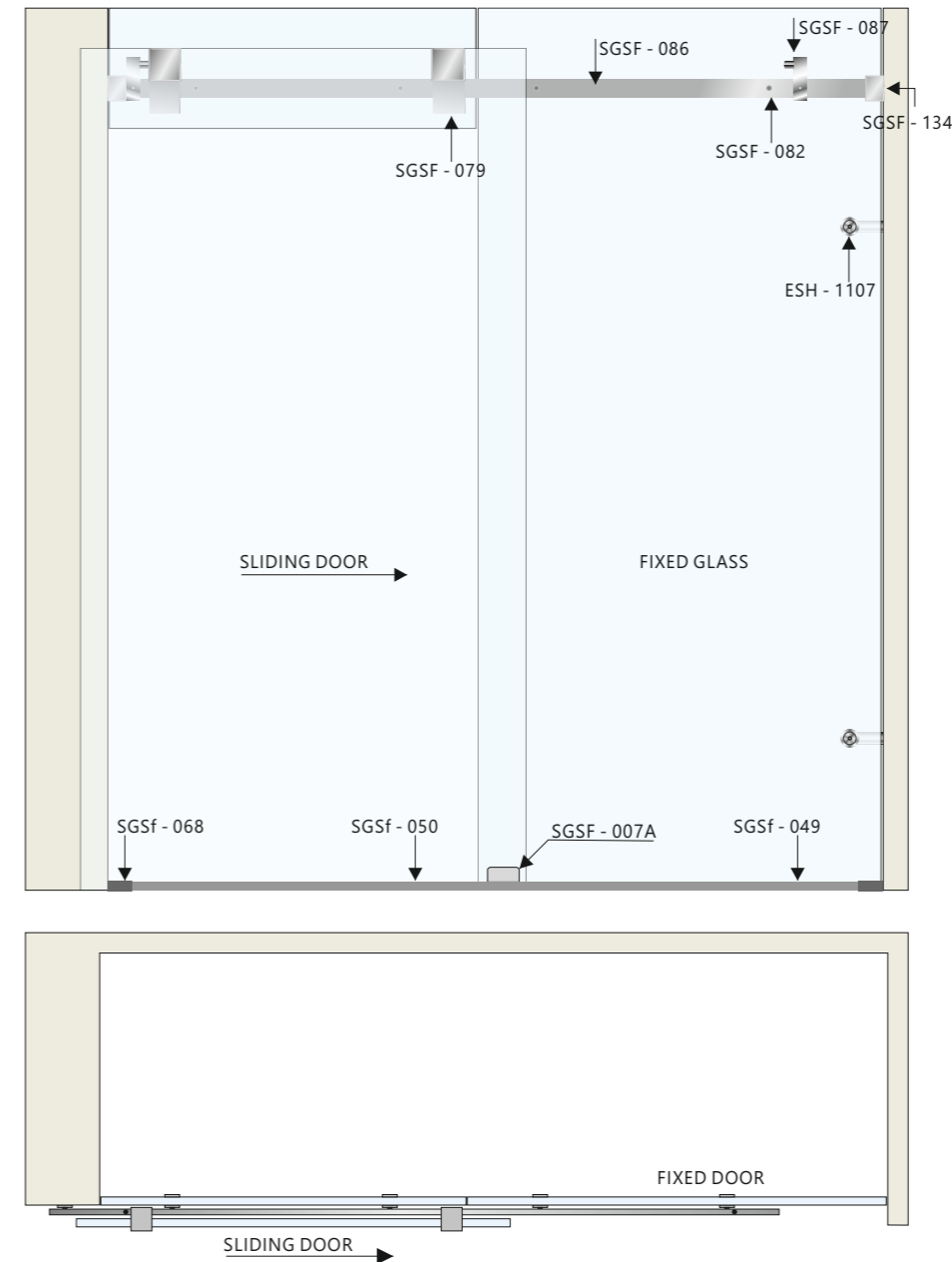
SGSF - 079 Shower Glass Sliding Roller (Steel)

Features :

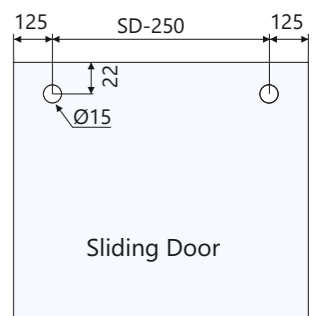
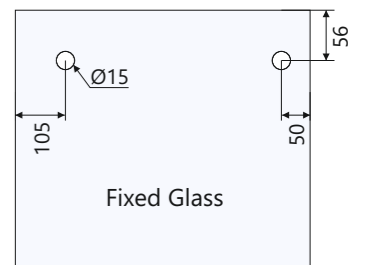
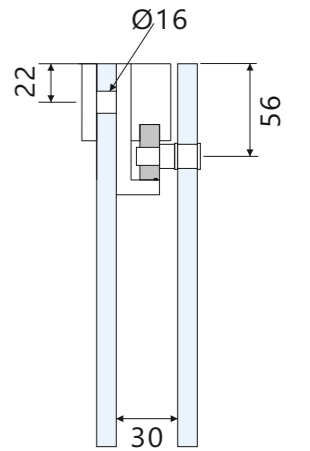
- For 10 mm to 12 mm glass.
- For straight glass sliding door.
- Trouble free operation.
- Material : Stainless Steel.
- Finish : Satin Stainless Steel.
- Maximum Glass Weight : 150 kgs/Panel.



Mounting example



Glass Preparation



Sliding Shower Solution

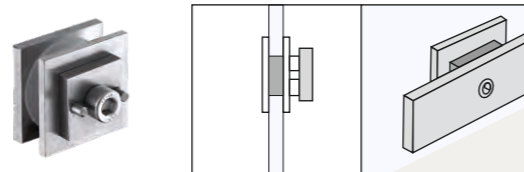
Shower Glass Sliding Roller (Steel)

SGSF - 082

SGSF - 082
Clamp Fixing for Glass to Track

Features :

- Material : Stainless Steel.
- Finish : Satin Stainless Steel.



SGSF - 087

SGSF - 087
Door Stopper

Features :

- Material : Stainless Steel.
- Finish : Satin Stainless Steel.



SGSF - 134

SGSF - 134
Wall Socket for SGSF - 086

Features :

- Material : Stainless Steel.
- Finish : Satin Stainless Steel.



SGSF - 007

SGSF - 007
Floor Guide

Features:

- For 10mm to 12mm Glass
- Material : White Metal (Zinc Alloy)
- Finish : Brushed Nickel (BN)

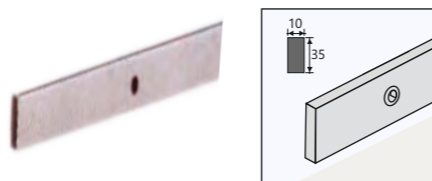


SGSF - 086

SGSF - 086
Rectangular Track (Solid)

Features :

- Material : Stainless Steel.
- Finish : Satin Stainless Steel.
- Size : 2000 mm.



Sliding Shower Solution

Shower Glass Sliding Roller (Steel)

SGSF - 049 - 10/12

SGSF - 49 - 10/12
Shower glazing profile for fixing glass

Features :

- For 10 mm to 12 mm glass.
- Material : Aluminium.
- Finish : Satin Stainless Steel (SSS).
- Size : 2000mm.



SGSF - 050 - 10/12

SGSF - 50 - 10/12
Inner section for shower glazing cover cap for SGSF - 049

Features :

- For 10 mm to 12 mm glass.
- Material : Aluminium.
- Finish : Satin Stainless Steel (SSS).
- Size : 2000mm.



SGSF - 068

SGSF - 068
End connector cap for shower glazing profile for SGSF - 049

Features :

- Material : Stainless Steel.
- Finish : Satin Stainless Steel (SSS).



ESH - 1107

ESH - 1107
Bracket for 90° Wall to Glass

Features :

- Material : Stainless Steel
- Door Thickness : 8mm to 12mm
- Finish : Satin Stainless Steel (SSS)



Ordering Information - for SGSF - 079 Full Set

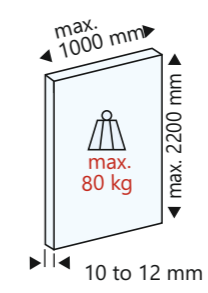
Product code	SGSF - 079	SGSF - 082	SGSF - 087	SGSF 134	SGSF - 007
Quantity for SGSF - 079 - Full Set - 2000mm (10mm)	2 Pcs	2 Pcs	2 Pcs	2 Pcs	1 Pcs
Quantity for SGSF - 079 - Full Set - 2000mm (12mm)	2 Pcs	2 Pcs	2 Pcs	2 Pcs	1 Pcs
	SGSF - 049	SGSF - 050	SGSF - 068	SGSF - 086	ESH - 1107
	1 Pcs	1 Pcs	2 Pcs	1 Pcs (2000mm)	2 Pcs
	1 Pcs	1 Pcs	2 Pcs	1 Pcs (2000mm)	2 Pcs



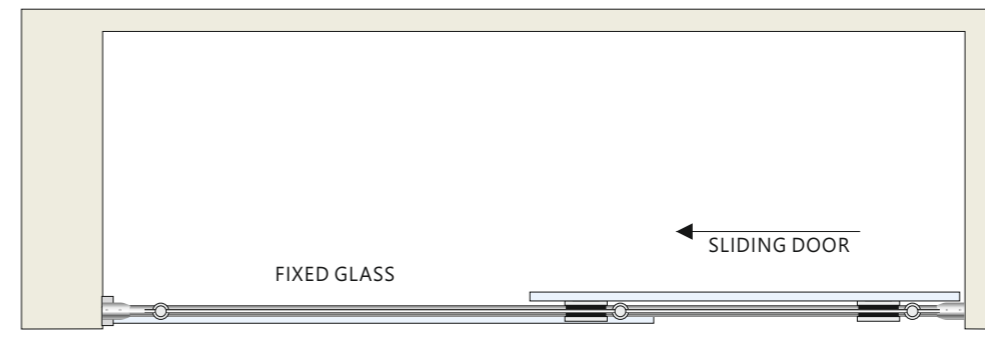
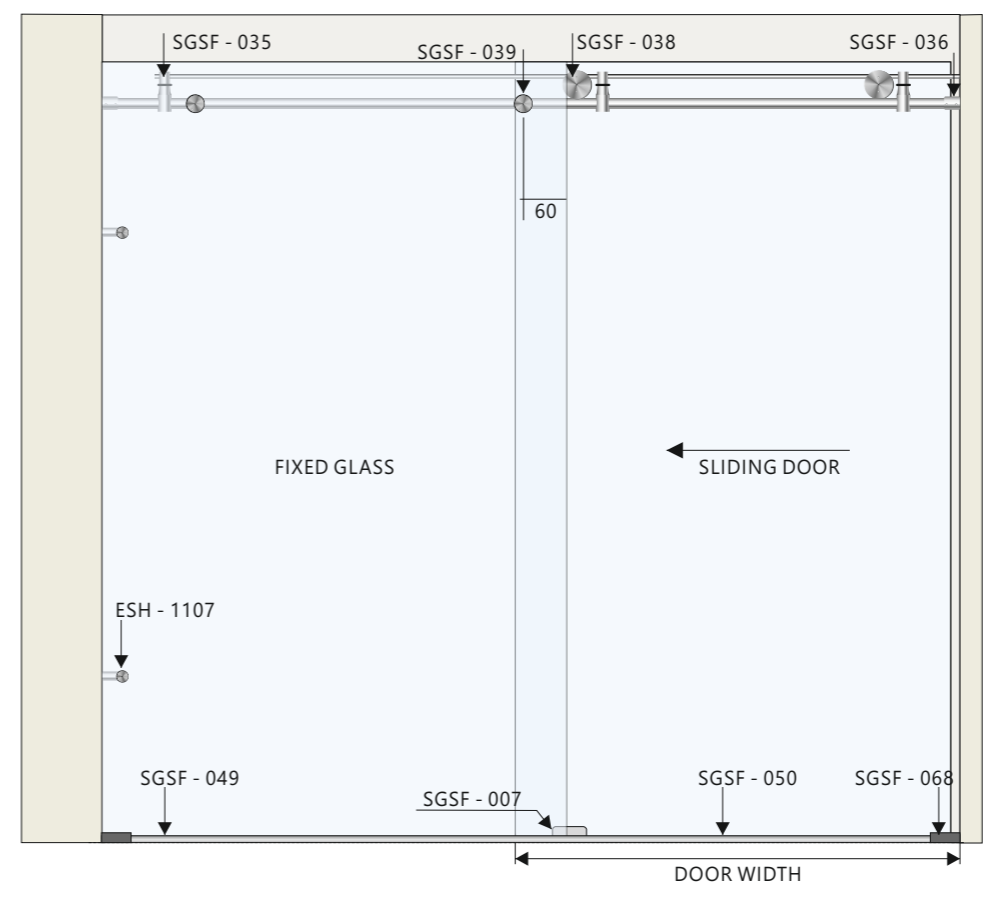
Sliding Shower Solution

**SGSF - 038 (Option-A)
Shower Glass Sliding Roller**

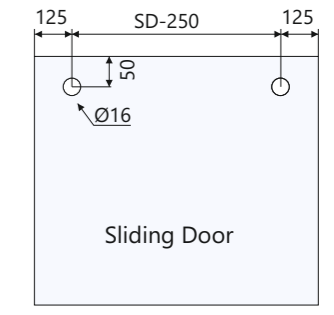
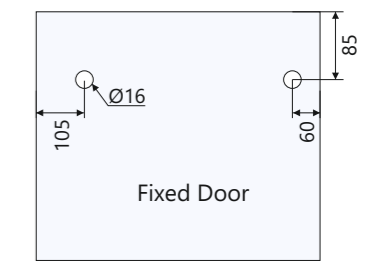
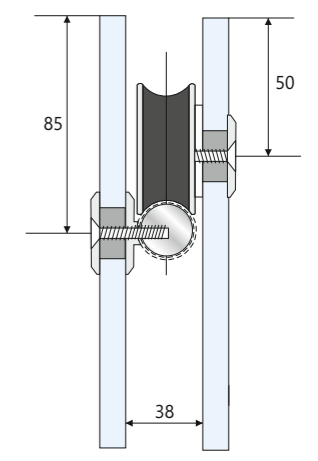
- Features :**
- For 10 mm to 12 mm glass.
 - For 180° shower glass sliding door.
 - Trouble free operation.
 - Material : Stainless Steel.
 - Finish : Satin Stainless Steel.
 - Maximum Glass Weight : 80 kgs/Panel.



Mounting example



Glass Preparation



Sliding Shower Solution

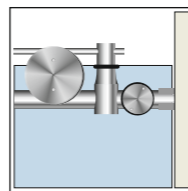
Shower Glass Sliding Roller

SGSF - 035

SGSF - 035
Door Stopper with Inner Rod

Features :

- Material : Stainless Steel.
- Finish : Satin Stainless Steel.

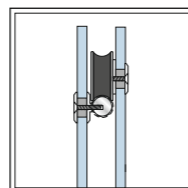


SGSF - 039

SGSF - 039
Clamp for Fixing Rod into Fixed Glass

Features :

- Material : Stainless Steel.
- Finish : Satin Stainless Steel.



SGSF - 036

SGSF - 036
Wall Socket for Rod

Features :

- Material : Stainless Steel.
- Finish : Satin Stainless Steel.



SGSF - 007

SGSF - 007
Floor Guide

Features:

- For 10mm to 12mm Glass
- Material : White Metal (Zinc Alloy)
- Finish : Brushed Nickel (BN)



SWIFT ROD - 001

SWIFT ROD - 001 - Ø25

Features :

- Material : Stainless Steel.
- Finish : Satin Stainless Steel.
- Size : 2000mm / 2500mm / 3000mm / 3600mm.



SWIFT ROD - 003

SWIFT ROD - 003 - Ø8

Features :

- Material : Stainless Steel.
- Finish : Satin Stainless Steel.
- Size : 1000mm / 1500mm / 2000mm / 2500mm



Sliding Shower Solution

Shower Glass Sliding Roller

SGSF - 049 - 10/12

SGSF - 49 - 10/12
Shower glazing profile for fixing glass

Features :

- For 10 mm to 12 mm glass.
- Material : Aluminium.
- Finish : Satin Stainless Steel (SSS).
- Size : 2000mm.



SGSF - 050 - 10/12

SGSF - 50 - 10/12
Inner section for shower glazing cover cap for SGSF - 049

Features :

- For 10 mm to 12 mm glass.
- Material : Aluminium.
- Finish : Satin Stainless Steel (SSS).
- Size : 2000mm.



SGSF - 068

SGSF - 068
End connector cap for shower glazing profile for SGSF - 049

Features :

- Material : Stainless Steel.
- Finish : Satin Stainless Steel (SSS).



ESH - 1107

ESH - 1107
Bracket for 90° Wall to Glass

Features :

- Material : Stainless Steel
- Door Thickness : 8mm to 12mm
- Finish : Satin Stainless Steel (SSS)



Ordering Information - for SGSF - 038A Full Set

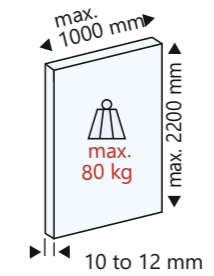
Product code	SGSF - 038	SGSF - 035	SGSF - 039	SGSF 036	SGSF - 007	
Quantity for SGSF - 038A - Full Set - 2000mm (10mm)	2 Pcs	2 Pcs	2 Pcs	2 Pcs	1 Pcs	
Quantity for SGSF - 038A - Full Set - 2000mm (12mm)	2 Pcs	2 Pcs	2 Pcs	2 Pcs	1 Pcs	
	SGSF - 049	SGSF - 050	SGSF - 068	Swift rod - 001	Swift rod - 003	ESH - 1107
	1 Pcs	1 Pcs	2 Pcs	1 Pcs (2000mm)	1 Pcs (2000mm)	2 Pcs
	1 Pcs	1 Pcs	2 Pcs	1 Pcs (2000mm)	1 Pcs (2000mm)	2 Pcs

Sliding Shower Solution

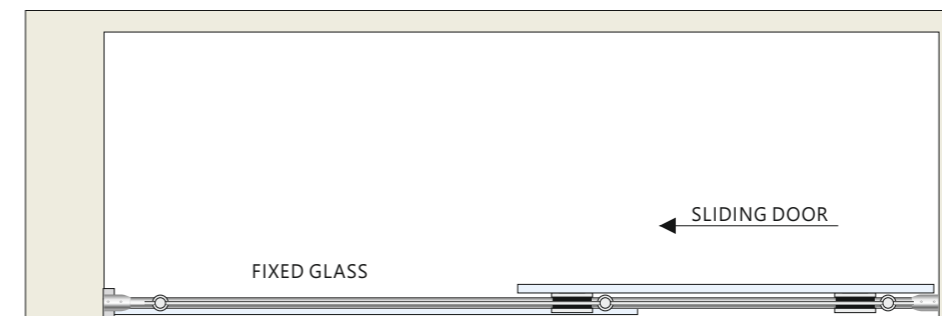
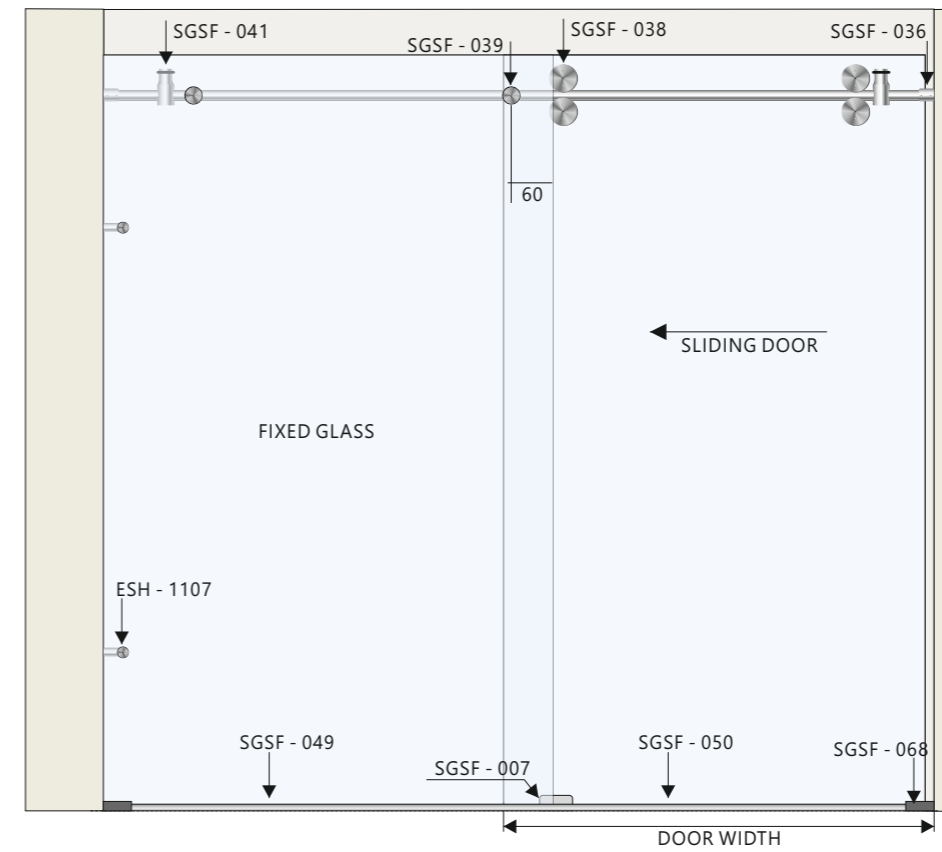
SGSF - 038 (Option-B) Shower Glass Sliding Roller

Features :

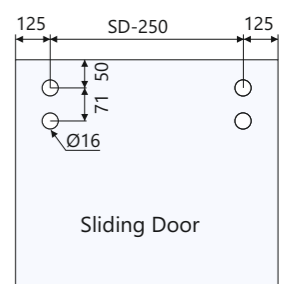
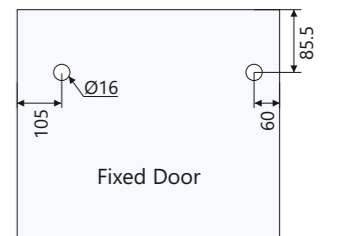
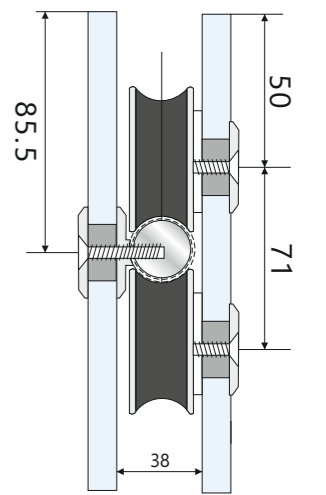
- For 10 mm to 12 mm glass.
- For 180° shower glass sliding door.
- Trouble free operation.
- Material : Stainless Steel.
- Finish : Satin Stainless Steel.
- Maximum Glass Weight : 80 kgs/Panel.



Mounting example



Glass Preparation



Sliding Shower Solution

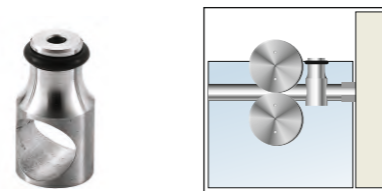
Shower Glass Sliding Roller

SGSF - 041

SGSF - 041 Door Stopper

Features :

- Material : Stainless Steel.
- Finish : Satin Stainless Steel.



SGSF - 039

SGSF - 039 Clamp for Fixing Rod into Fixed Glass

Features :

- Material : Stainless Steel.
- Finish : Satin Stainless Steel.



SGSF - 036

SGSF - 036 Wall Socket for Rod

Features :

- Material : Stainless Steel.
- Finish : Satin Stainless Steel.



SGSF - 007

SGSF - 007 Floor Guide

Features:

- For 10mm to 12mm Glass
- Material : White Metal (Zinc Alloy)
- Finish : Brushed Nickel (BN)



SWIFT ROD - 001

SWIFT ROD - 001 - Ø25

Features :

- Material : Stainless Steel.
- Finish : Satin Stainless Steel.
- Size : 2000mm / 2500mm / 3000mm / 3600mm.



Sliding Shower Solution

Shower Glass Sliding Roller

SGSF - 049 - 10/12

SGSF - 49 - 10/12 Shower glazing profile for fixing glass

Features :

- For 10 mm to 12 mm glass.
- Material : Aluminium.
- Finish : Satin Stainless Steel (SSS).
- Size : 2000mm.



SGSF - 050 - 10/12

SGSF - 50 - 10/12 Inner section for shower glazing cover cap for SGSF - 049

Features :

- For 10 mm to 12 mm glass.
- Material : Aluminium.
- Finish : Satin Stainless Steel (SSS).
- Size : 2000mm.



SGSF - 068

SGSF - 068 End connector cap for shower glazing profile for SGSF - 049

Features :

- Material : Stainless Steel.
- Finish : Satin Stainless Steel (SSS).



ESH - 1107

ESH - 1107 Bracket for 90° Wall to Glass

Features :

- Material : Stainless Steel
- Door Thickness : 8mm to 12mm
- Finish : Satin Stainless Steel (SSS)



Ordering Information - for SGSF - 038B Full Set

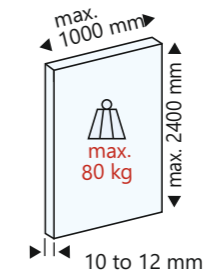
Product code	SGSF - 038 B	SGSF - 041	SGSF - 039	SGSF 036	SGSF - 007
Quantity for SGSF - 038B - Full Set - 2000mm (10mm)	4 Pcs	2 Pcs	2 Pcs	2 Pcs	1 Pcs
Quantity for SGSF - 038B - Full Set - 2000mm (12mm)	4 Pcs	2 Pcs	2 Pcs	2 Pcs	1 Pcs
	SGSF - 049	SGSF - 050	SGSF - 068	Swift rod - 001	ESH - 1107
	1 Pcs	1 Pcs	2 Pcs	1 Pcs	2 Pcs
	1 Pcs	1 Pcs	2 Pcs	1 Pcs	2 Pcs

Sliding Shower Solution

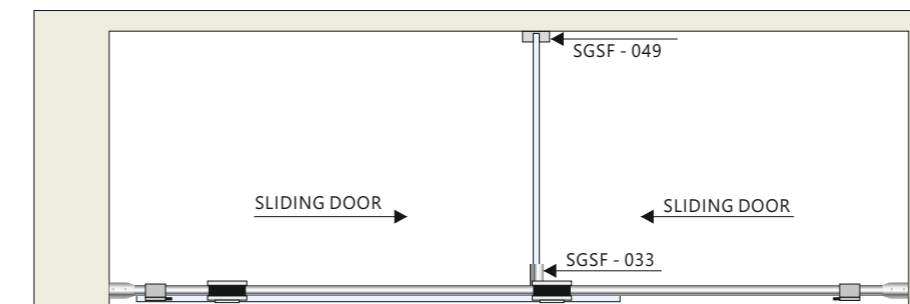
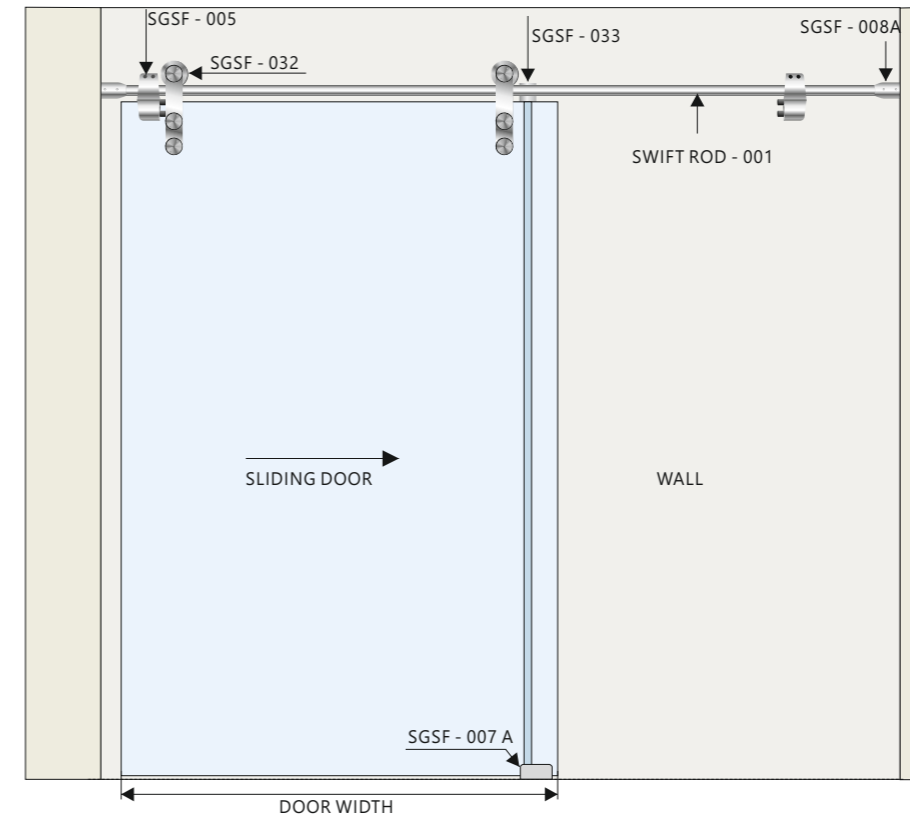
SGSF - 032 Shower Glass Sliding Roller

Features :

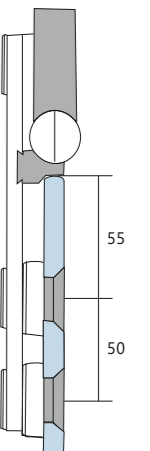
- For 10 mm to 12 mm glass.
- For straight shower glass sliding door.
- Trouble free operation.
- Material : Stainless Steel.
- Finish : Satin Stainless Steel.
- Maximum Glass Weight : 150 kgs/Panel.



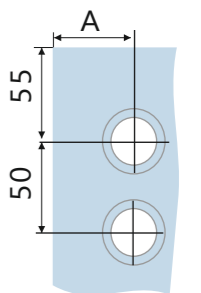
Mounting example



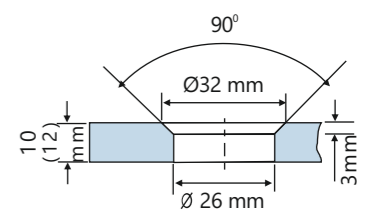
Glass Preparation



SIZE A ≥ 110MM



GLASS PREPARATION



Sliding Shower Solution

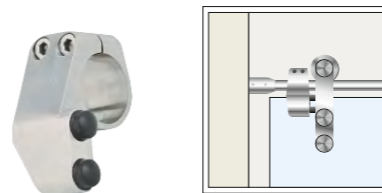
Shower Glass Sliding Roller

SGSF - 005

SGSF - 005 Door Stopper (Flat)

Features :

- Material : Stainless Steel.
- Finish : Satin Stainless Steel.



SGSF - 033

SGSF - 033 Clamp for Fixing Track into Inner Partition Glass

Features :

- Material : Stainless Steel.
- Finish : Satin Stainless Steel.



SGSF - 008 A

SGSF - 008 A Socket for Track Swift Rod (The connection with Track & Wall)

Features :

- Material : Stainless Steel.
- Finish : Satin Stainless Steel.



SGSF - 007

SGSF - 007 Floor Guide

Features:

- For 10mm to 12mm Glass
- Material : White Metal (Zinc Alloy)
- Finish : Brushed Nickel (BN)



SWIFT ROD - 001

SWIFT ROD - 001 - Ø25

Features :

- Material : Stainless Steel.
- Finish : Satin Stainless Steel.
- Size : 2000mm / 2500mm / 3000mm / 3600mm.



Sliding Shower Solution

Shower Glass Sliding Roller

SGSF - 049 - 10/12

SGSF - 49 - 10/12 Shower glazing profile for fixing glass

Features :

- For 10 mm to 12 mm glass.
- Material : Aluminium.
- Finish : Satin Stainless Steel (SSS).
- Size : 2000mm.



SGSF - 068

SGSF - 068 End connector cap for shower glazing profile for SGSF - 049

Features :

- Material : Stainless Steel.
- Finish : Satin Stainless Steel (SSS).



Ordering Information - for SGSF - 032 FS

Product code	SGSF - 032	SGSF - 005	SGSF - 033	SGSF 008 A	SGSF - 007
Quantity for SGSF - 032 - Full Set - 2000mm (10mm)	2 Pcs	2 Pcs	1 Pcs	2 Pcs	1 Pcs
Quantity for SGSF - 032 - Full Set - 2000mm (12mm)	2 Pcs	2 Pcs	1 Pcs	2 Pcs	1 Pcs
	SGSF - 049	SGSF - 068	Swift Rod - 001		
	2 Pcs	2 Pcs	1 Pcs (2000mm)		
	2 Pcs	2 Pcs	1 Pcs (2000mm)		

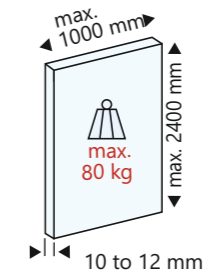


Sliding Shower Solution

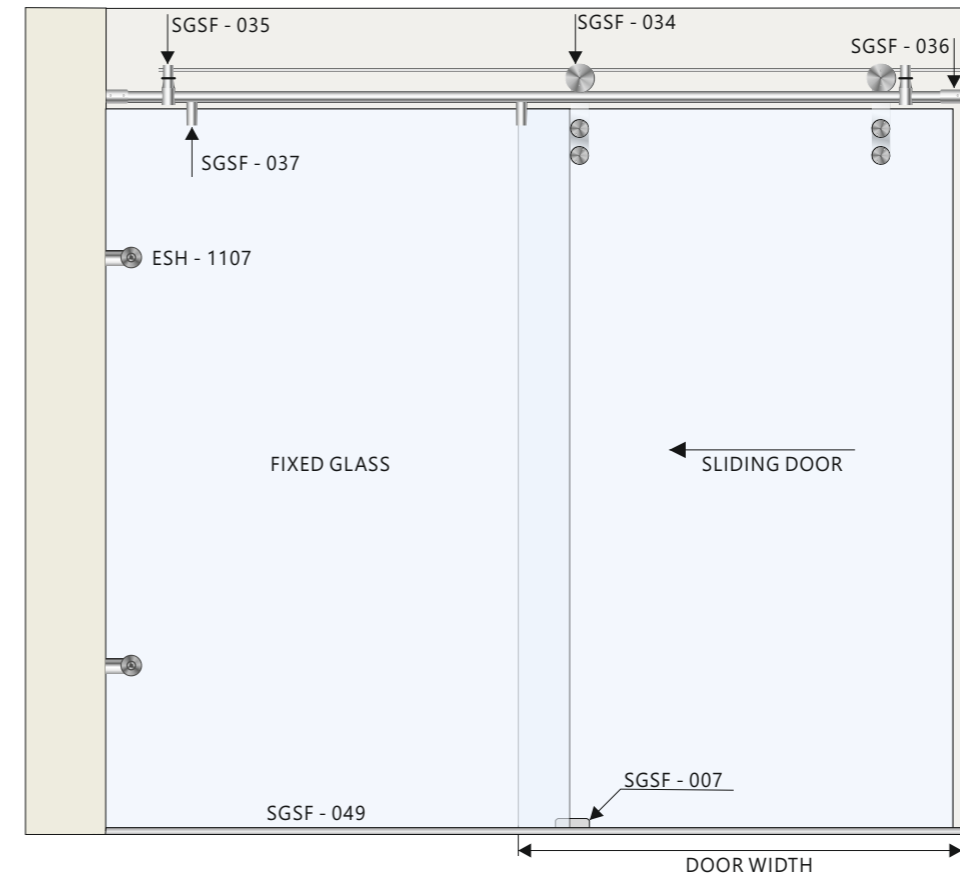
**SGSF - 034
Shower Glass Sliding Roller**

Features :

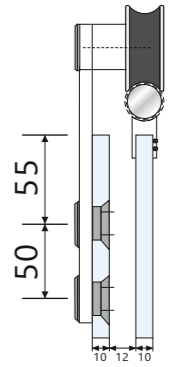
- For 10 mm to 12 mm glass.
- For 180° shower glass sliding door.
- Trouble free operation.
- Material : Stainless Steel.
- Finish : Satin Stainless Steel.
- Maximum Glass Weight : 150 kgs/Panel.



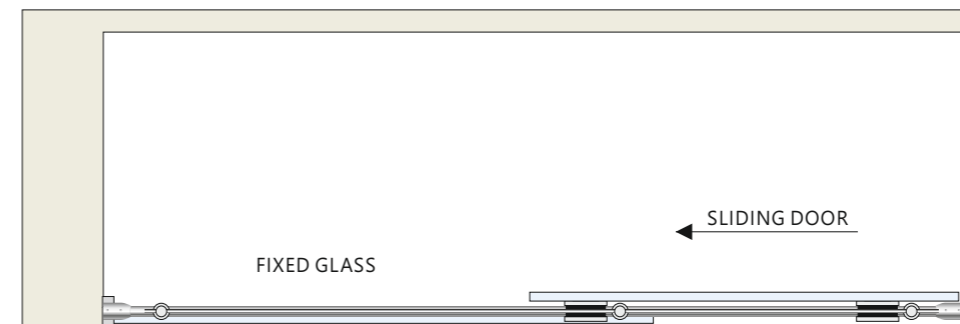
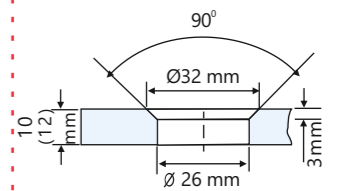
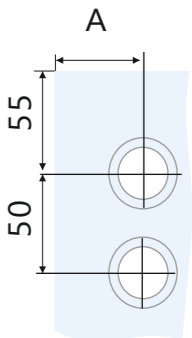
Mounting example



Glass Preparation



SIZE A = ≥110MM



Sliding Shower Solution

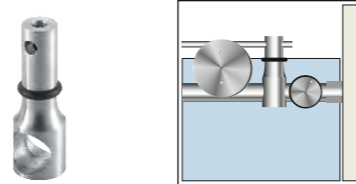
Shower Glass Sliding Roller

SGSF - 035

SGSF - 035
Door Stopper with Inner Rod

Features :

- Material : Stainless Steel.
- Finish : Satin Stainless Steel.



SGSF - 037

SGSF - 037
Clamp for Fixing Rod into Fixed Glass

Features :

- Material : Stainless Steel.
- Finish : Satin Stainless Steel.



SGSF - 036

SGSF - 036
Wall Socket for Rod

Features :

- Material : Stainless Steel.
- Finish : Satin Stainless Steel.



SGSF - 007

SGSF - 007
Floor Guide

Features:

- For 10mm to 12mm Glass
- Material : White Metal (Zinc Alloy)
- Finish : Brushed Nickel (BN)



SWIFT ROD - 001

SWIFT ROD - 001 - Ø25

Features :

- Material : Stainless Steel.
- Finish : Satin Stainless Steel.
- Size : 2000mm / 2500mm / 3000mm / 3600mm.



SWIFT ROD - 003

SWIFT ROD - 003 - Ø8

Features :

- Material : Stainless Steel.
- Finish : Satin Stainless Steel.
- Size : 1000mm / 1500mm / 2000mm / 2500mm



Sliding Shower Solution

Shower Glass Sliding Roller

SGSF - 049 - 10/12

SGSF - 49 - 10/12
Shower glazing profile for fixing glass

Features :

- For 10 mm to 12 mm glass.
- Material : Aluminium.
- Finish : Satin Stainless Steel (SSS).
- Size : 2000mm.



SGSF - 050 - 10/12

SGSF - 50 - 10/12
Inner section for shower glazing cover cap for SGSF - 049

Features :

- For 10 mm to 12 mm glass.
- Material : Aluminium.
- Finish : Satin Stainless Steel (SSS).
- Size : 2000mm.



SGSF - 068

SGSF - 068
End connector cap for shower glazing profile for SGSF - 049

Features :

- Material : Stainless Steel.
- Finish : Satin Stainless Steel (SSS).



ESH - 1107

ESH - 1107
Bracket for 90° Wall to Glass

Features :

- Material : Stainless Steel
- Door Thickness : 8mm to 12mm
- Finish : Satin Stainless Steel (SSS)



Ordering Information - for SGSF - 034 Full Set

Product code	SGSF - 034	SGSF - 035	SGSF - 037	SGSF 036	SGSF - 007	
Quantity for SGSF - 034 - Full Set - 2000mm (10mm)	2 Pcs	2 Pcs	2 Pcs	2 Pcs	1 Pcs	
Quantity for SGSF - 034 - Full Set - 2000mm (12mm)	2 Pcs	2 Pcs	2 Pcs	2 Pcs	1 Pcs	
	SGSF - 049	SGSF - 050	SGSF - 068	Swift rod - 001	Swift rod - 003	ESH - 1107
	1 Pcs	1 Pcs	2 Pcs	1 Pcs (2000mm)	1 Pcs (2000mm)	2 Pcs
	1 Pcs	1 Pcs	2 Pcs	1 Pcs (2000mm)	1 Pcs (2000mm)	2 Pcs

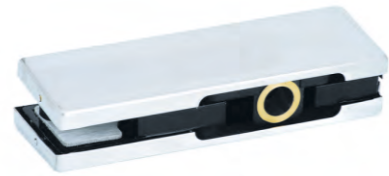
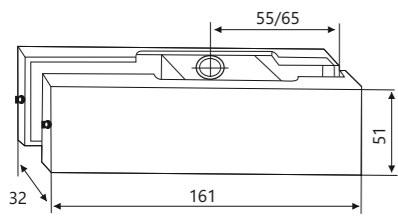
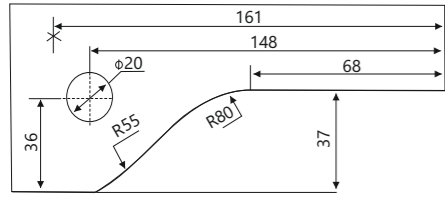


PATCH FITTINGS SYSTEM

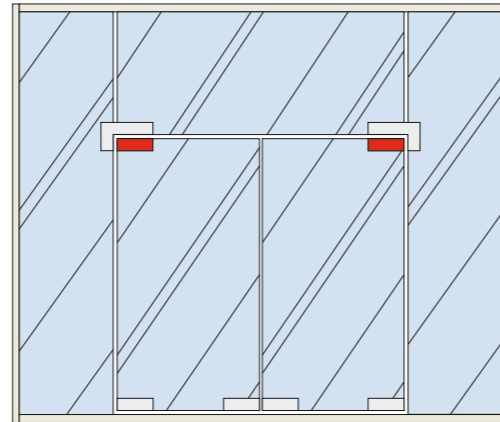
Glass Patch Fittings

EPF 701 Top Patch

Glass Preparation



Top patch fitting

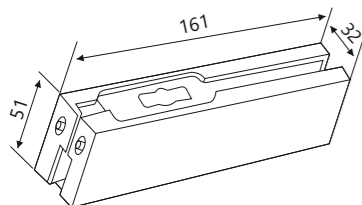
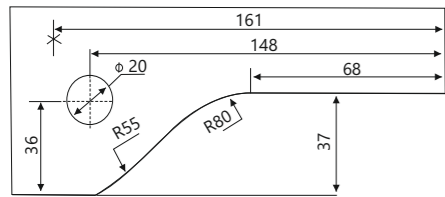


Features :

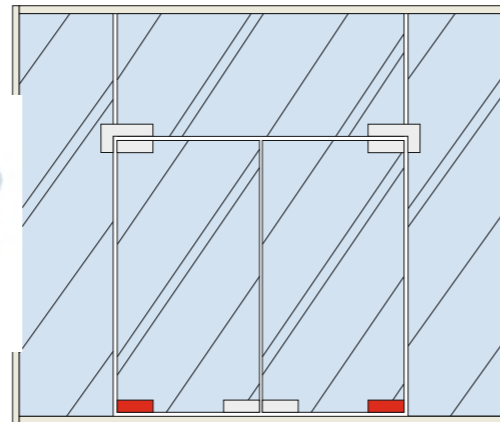
- Fit to Glass Thickness 10/12mm
- Finish of the Cover Plate :
Satin Stainless Steel(SSS)
Polished Stainless Steel (PSS)

EPF 702 Bottom Patch

Glass Preparation



Bottom patch fitting



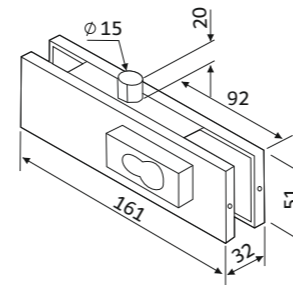
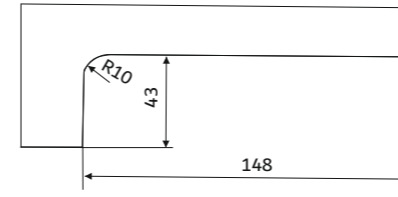
Features :

- Fit to Glass Thickness 10/12mm
- Finish Of The Cover Plate :
Satin Stainless Steel(SSS)
Polished Stainless Steel (PSS)

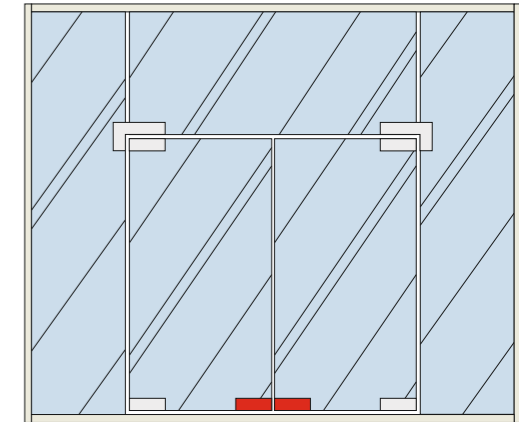
Glass Patch Fittings

EPF 706 Glass Bottom Lock

Glass Preparation



Bottom patch lock

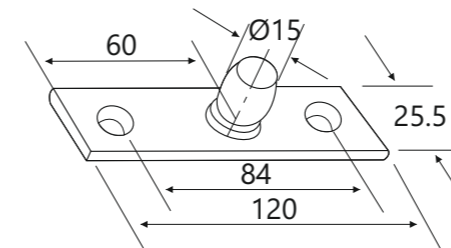


Features :

- Fit to Glass Thickness 10/12mm
- Finish of the Cover Plate :
Satin Stainless Steel(SSS)
Polished Stainless Steel (PSS)

EPF 712 Top Pivot

Glass Preparation



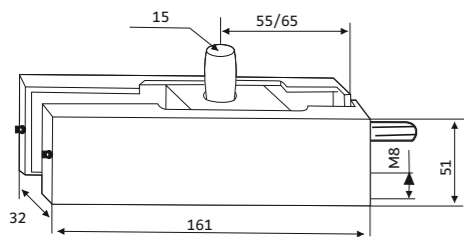
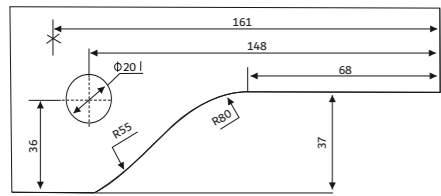
Features :

- Material : Stainless Steel
- Finish : Satin Stainless Steel (SSS)

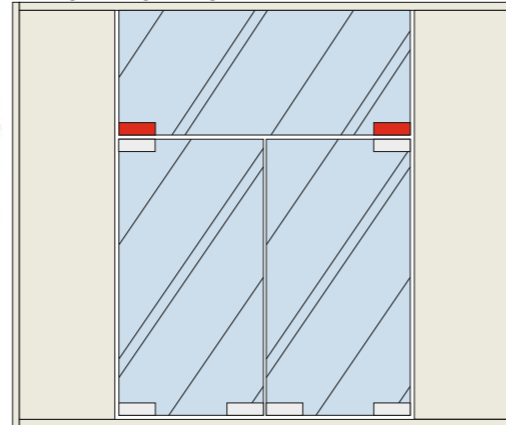
Glass Patch Fittings

EPF 703 - S Overpanel Pivot Patch

Glass Preparation



Overpanel pivot patch

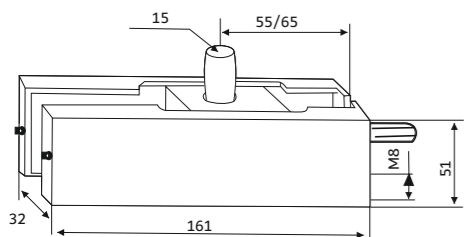
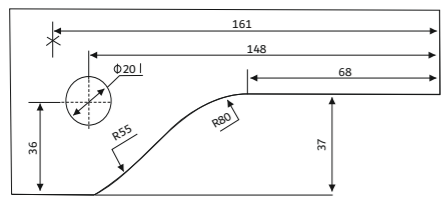


Features :

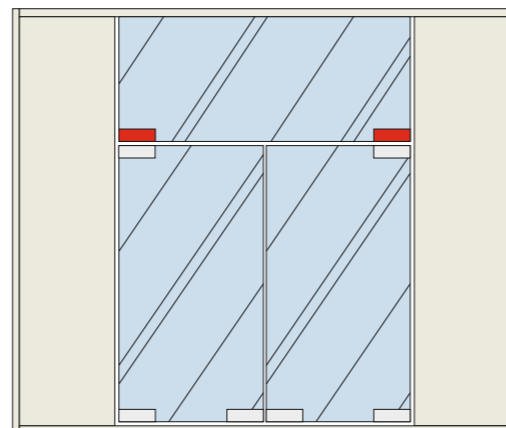
- Door Thickness : 10/12mm
- Finish of the Cover Plate :
Satin Stainless Steel(SSS)
Polished Stainless Steel (PSS)

EPF 703 - P Overpanel Pivot Patch

Glass Preparation



Overpanel pivot patch



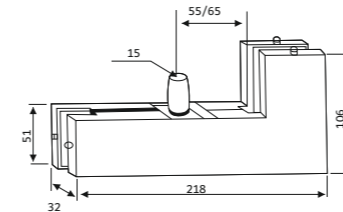
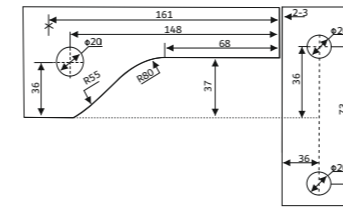
Features :

- Door Thickness : 10/12mm
- Finish of the Cover Plate :
Satin Stainless Steel(SSS)
Polished Stainless Steel (PSS)

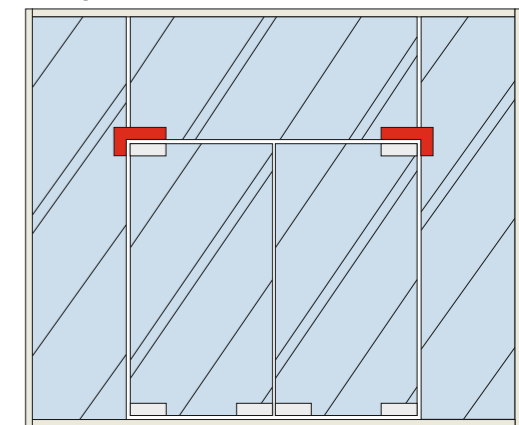
Glass Patch Fittings

EPF 704 Overpanel Corner 'L' Patch

Glass Preparation



Overpanel Corner 'L' Patch

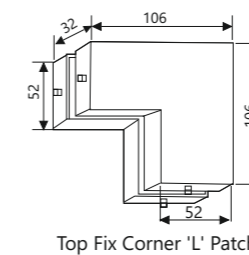
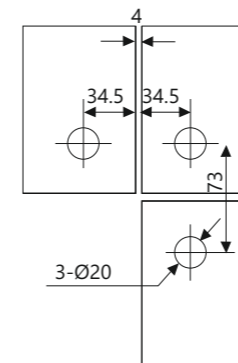


Features :

- Door Thickness : 10/12mm
- Finish of the Cover Plate :
Satin Stainless Steel(SSS)
Polished Stainless Steel (PSS)

EPF 705 Top Fix Corner 'L' Patch

Glass Preparation



Top Fix Corner 'L' Patch



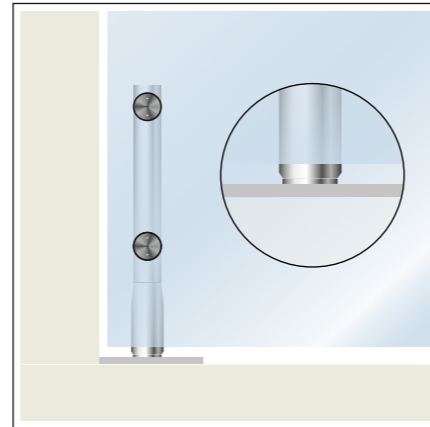
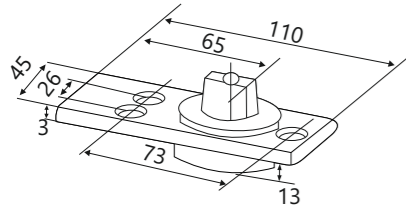
Features :

- Fit to Glass Thickness 10/12mm
- Finish of the Cover Plate :
Satin Stainless Steel(SSS)
Polished Stainless Steel (PSS)

Glass Patch Fittings

EPF 711 Bottom Pivot

Glass Preparation

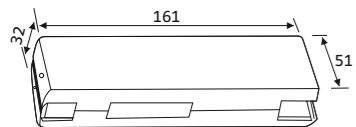
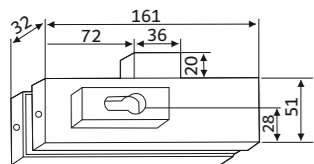
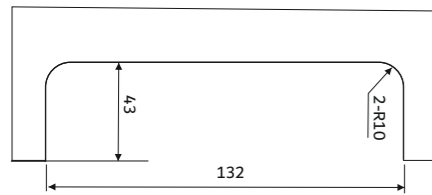


Features :

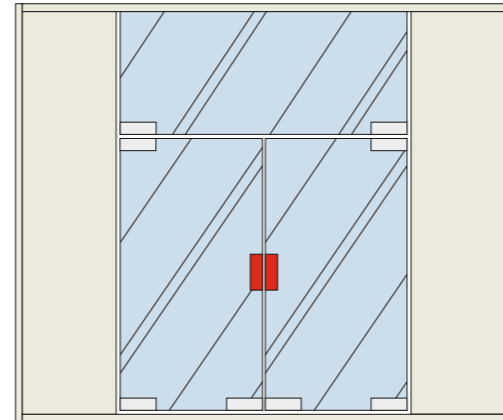
- Material : Stainless Steel
- Finish : Satin Stainless Steel (SSS)

EPF 707+708 Center Lock + Strike Box

Glass Preparation



Centre patch lock & strike box



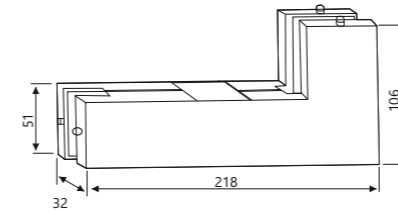
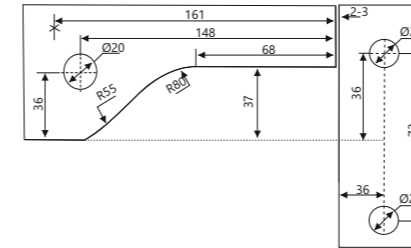
Features :

- Fit to Glass Thickness 10/12mm
- Finish of the Cover Plate :
Satin Stainless Steel(SSS)
Polished Stainless Steel (PSS)

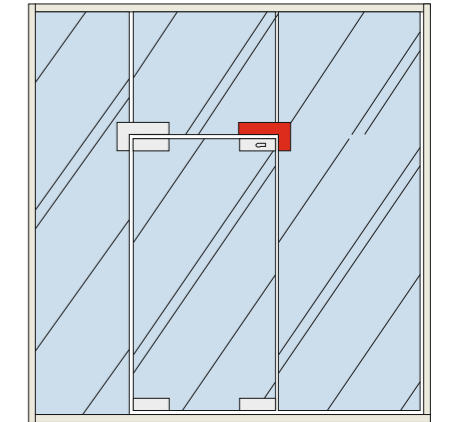
Glass Patch Fittings

EPF 752 Overpanel Strike Box 'L' Patch

Glass Preparation



Over Panel Strike Box 'L' Patch

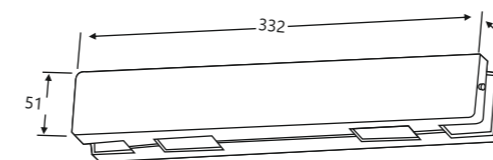
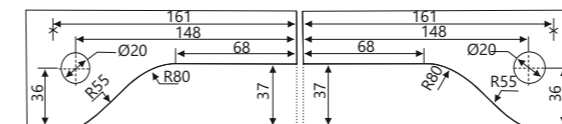


Features :

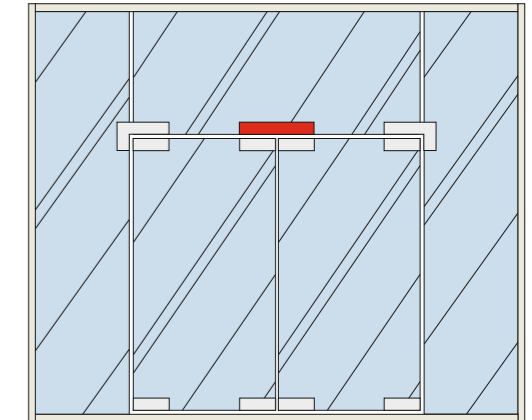
- Door Thickness : 10/12mm
- Finish of the Cover Plate :
Satin Stainless Steel(SSS)

EPF 753 Overpanel Strike Box Patch (Double)

Glass Preparation



Centre patch lock & double strike box



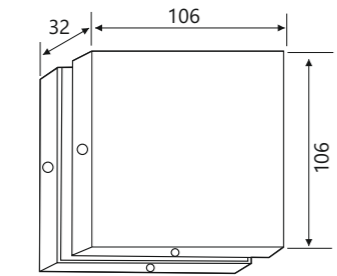
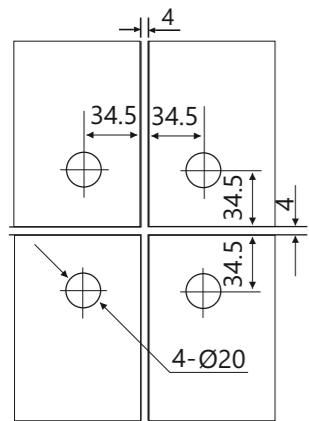
Features :

- Door Thickness : 10/12mm
- Finish of the Cover Plate :
Satin Stainless Steel(SSS)

Glass Patch Fittings

EPF 713 Connector for 4 Glass Panels

Glass Preparation



Connector for 4 glass panels

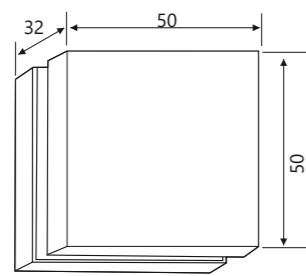
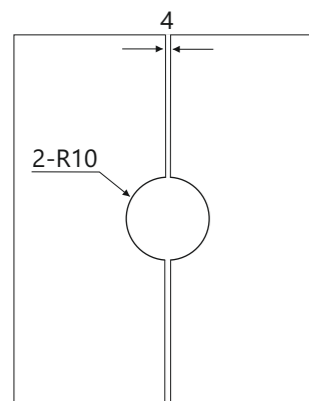


Features :

- Fit to Glass Thickness 10/12mm
- Finish of the Cover Plate :
Satin Stainless Steel(SSS)

EPF 714 Connector for 2 Glass Panels

Glass Preparation



Connector for 2 glass panels



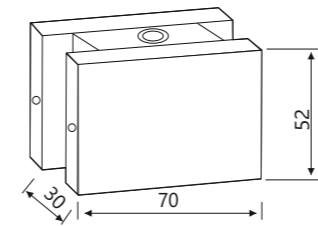
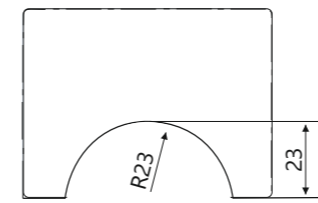
Features :

- Fit to Glass Thickness 10/12mm
- Finish of the Cover Plate :
Satin Stainless Steel(SSS)

Glass Patch Fittings

EPF 715 - S/P Side Connector With Screw

Glass Preparation



Side connector

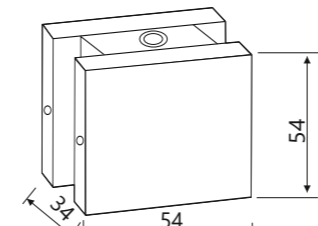
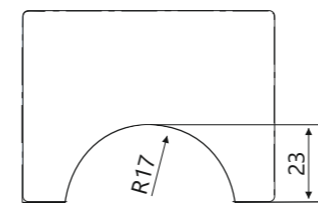


Features :

- Fit to Glass Thickness 10/12mm
- Finish of the Cover Plate :
Satin Stainless Steel(SSS)
Polished Stainless Steel (PSS)

EPF 715 - O Side Connector With Screw

Glass Preparation



Side connector



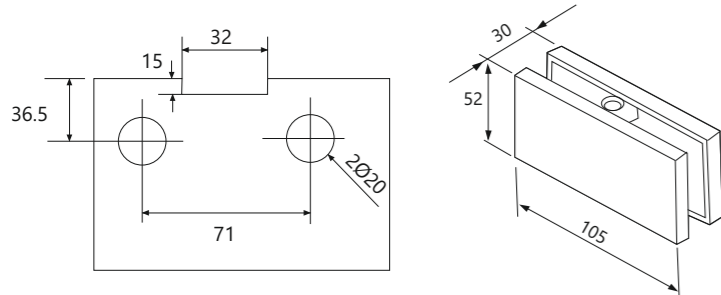
Features :

- Fit to Glass Thickness 10/12mm
- Finish of the Cover Plate :
Satin Stainless Steel(SSS)

Glass Patch Fittings

EPF 716 Connector for 2 Glass Panels

Glass Preparation

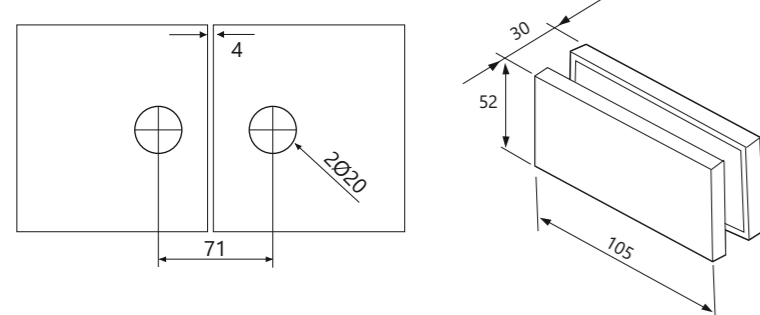


Features :

- Fit to Glass Thickness 10/12mm
- Finish of the Cover Plate :
Satin Stainless Steel(SSS)
Polished Stainless Steel (PSS)

EPF 716 A Connector for 2 Glass Panels

Glass Preparation



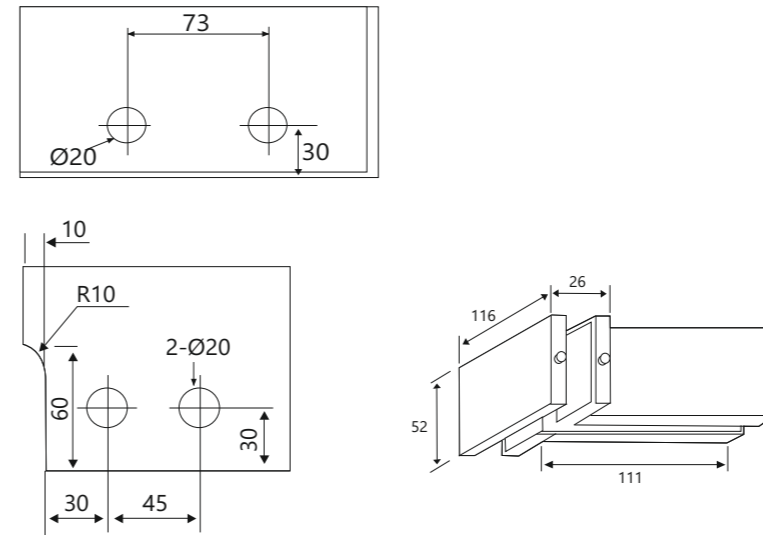
Features :

- Fit to Glass Thickness 10/12mm
- Finish of the Cover Plate :
Satin Stainless Steel(SSS)
Polished Stainless Steel (PSS)

Glass Patch Fittings

EPF 719 Overpanel Corner With Fin

Glass Preparation

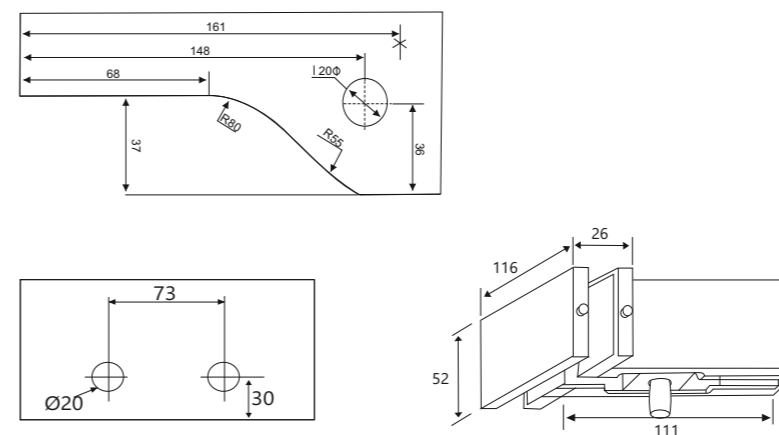


Features :

- Fit to Glass Thickness 10/12mm
- Finish of the Cover Plate :
Satin Stainless Steel(SSS)

EPF 719 A Overpanel Corner With Fin

Glass Preparation



Features :

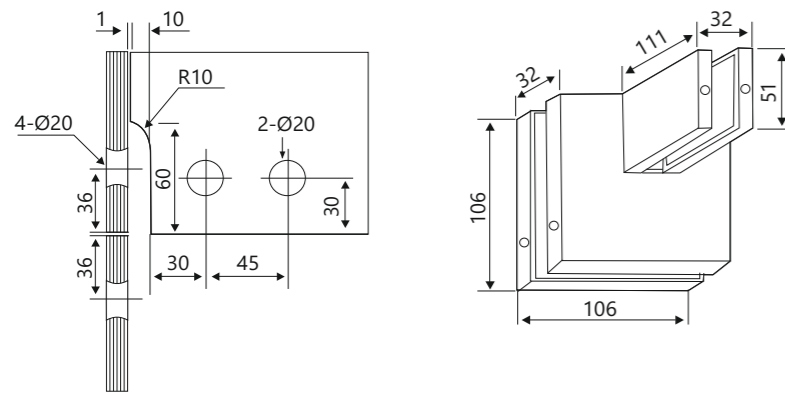
- Fit to Glass Thickness 10/12mm
- Finish of the Cover Plate :
Satin Stainless Steel(SSS)

Glass Patch Fittings

EPF 720

Connector for 4 Glass With Fin

Glass Preparation



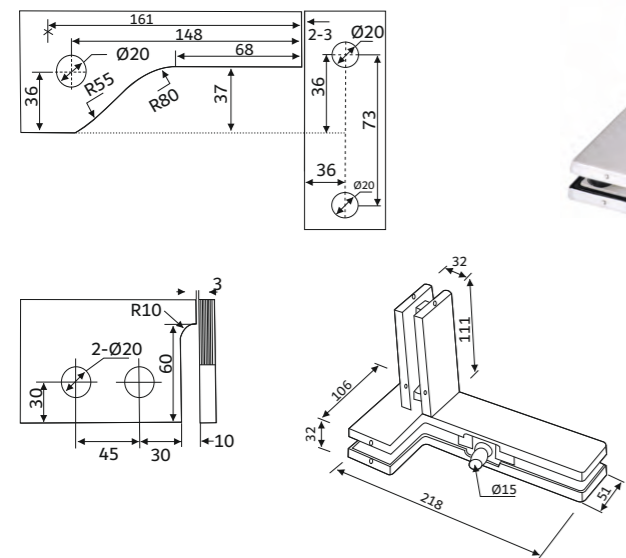
Features :

- Fit to Glass Thickness 10/12mm
- Finish of the Cover Plate : Satin Stainless Steel(SSS)

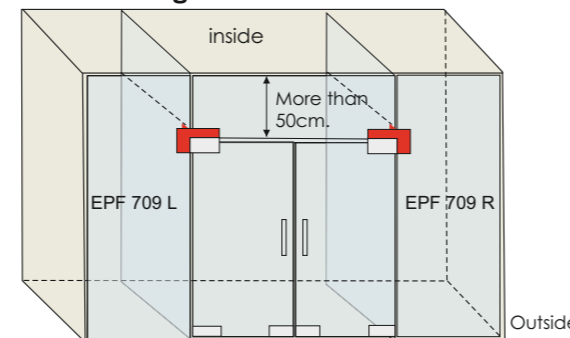
EPF 709

Right/Left Overpanel 'L' Patch with Fin

Glass Preparation

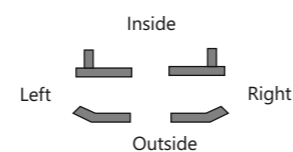


Overpanel to side panel pivot patch with fin fitting



Features :

- Fit to Glass Thickness 10/12mm
- Finish of the Cover Plate : Satin Stainless Steel(SSS)
- Transom side & interior fin link patch with pivot(Left/Right)

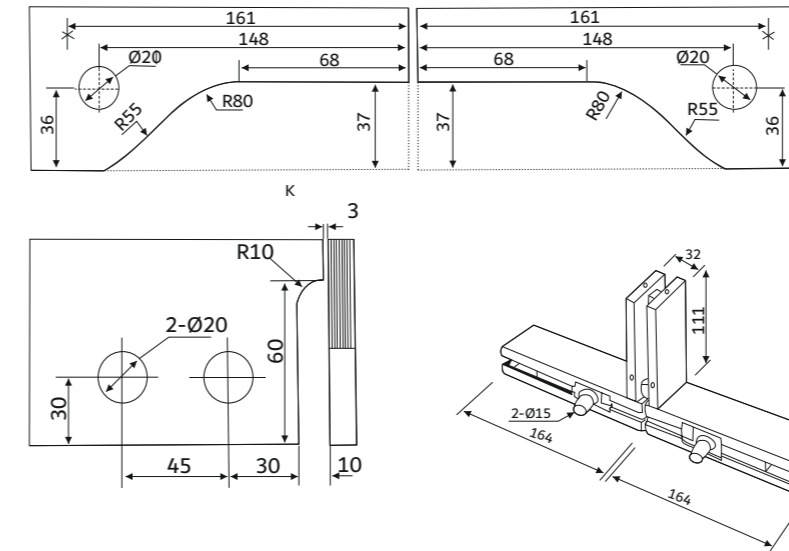


Glass Patch Fittings

EPF 710

Double Patch With Fin

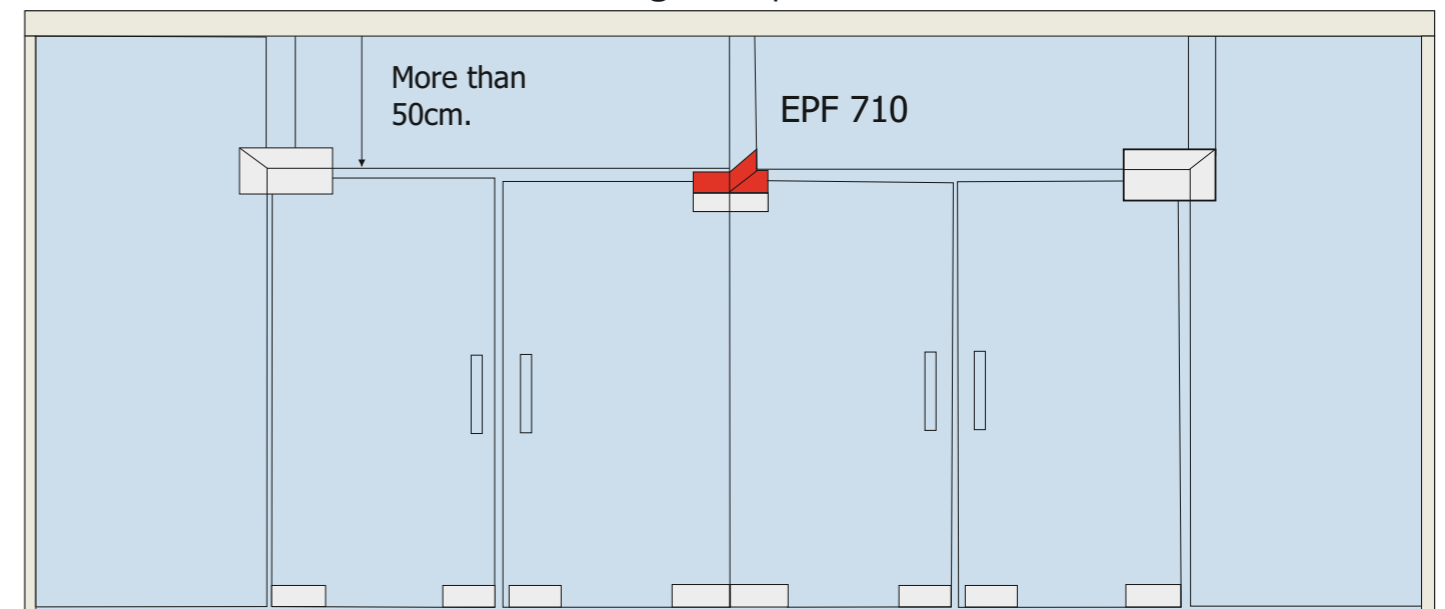
Glass Preparation



Features :

- Fit to Glass Thickness 10/12mm
- Finish of the Cover Plate : Satin Stainless Steel(SSS)
- Double pivot transom panel patch with fin holder for center hung doors

Double Patch with Fin fitting (with pivot for back to back doors)

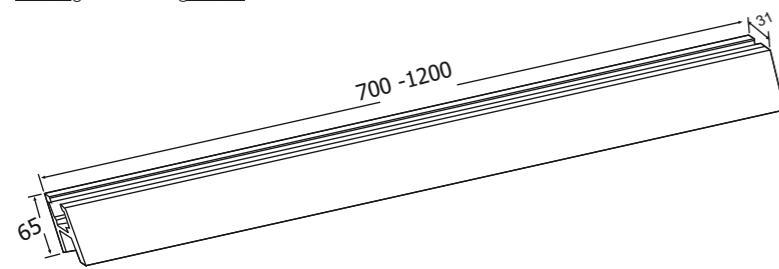
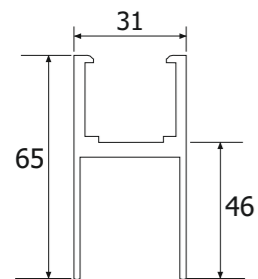


Glass Patch Fittings

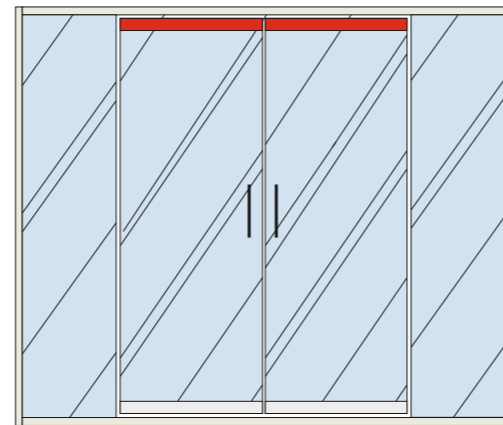
EPF 724

Top Door Rail (Supply with 10/12mm Gasket)

Glass Preparation



Top Door Rail



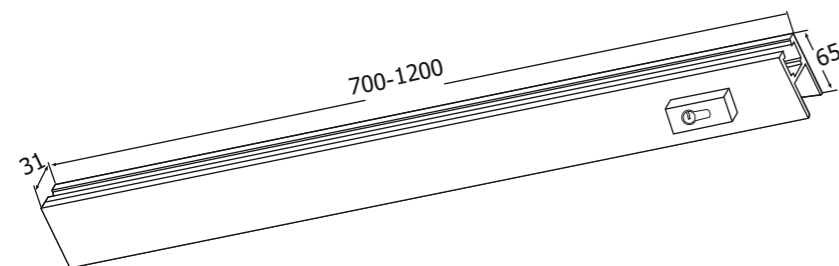
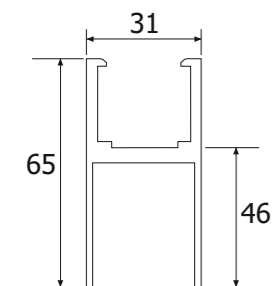
Features :

- Fit to Glass Thickness 10/12mm
- Supply with 10/12mm Gasket
- Finish of the Cover Plate :
Satin Stainless Steel (SSS)

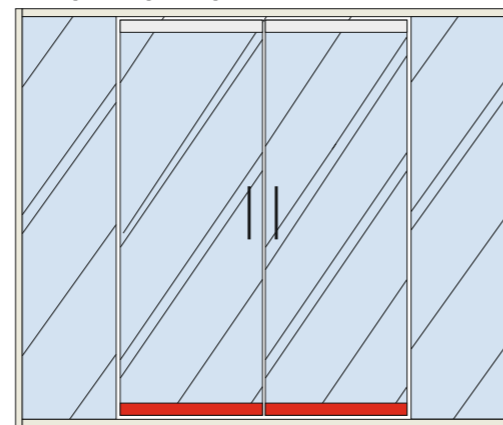
EPF 725

Bottom Door Rail with Lock (Supply with 10/12mm Gasket)

Glass Preparation



Overpanel pivot patch



Features :

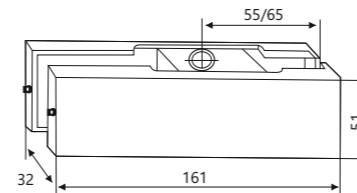
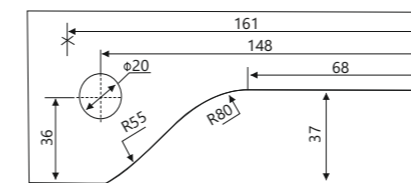
- Fit to Glass Thickness 10/12mm
- Supply with 10/12mm Gasket
- Finish of the Cover Plate :
Satin Stainless Steel (SSS)

Elite Glass Patch Fittings

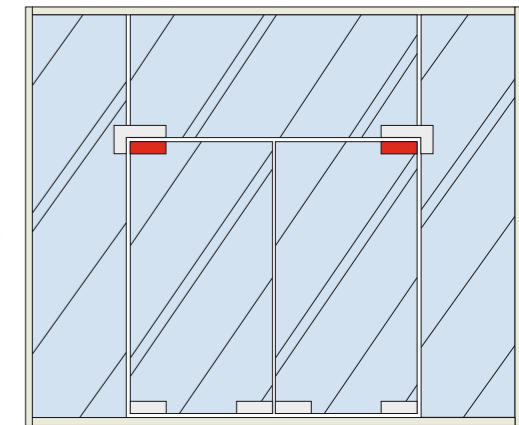
EPF 7001

Top Patch

Glass Preparation



Top patch fitting



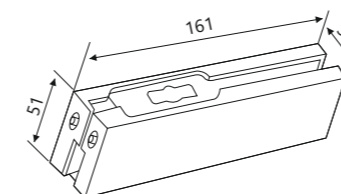
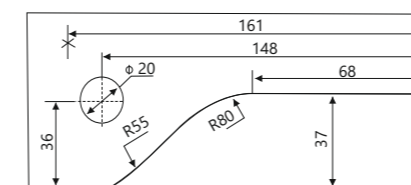
Features :

- Fit to Glass Thickness 10/12mm
- Finish of the Cover Plate :
Satin Stainless Steel(SSS)
Polished Stainless Steel (PSS)

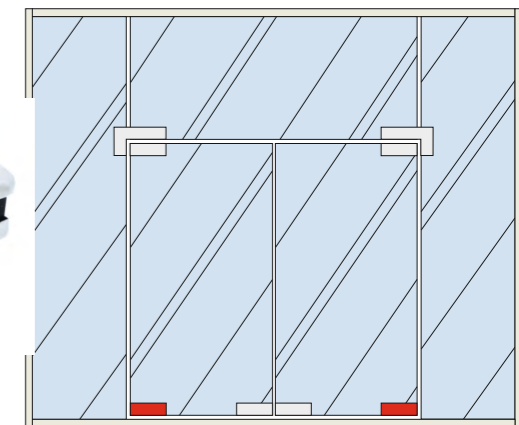
EPF 7002

Bottom Patch

Glass Preparation



Bottom patch fitting



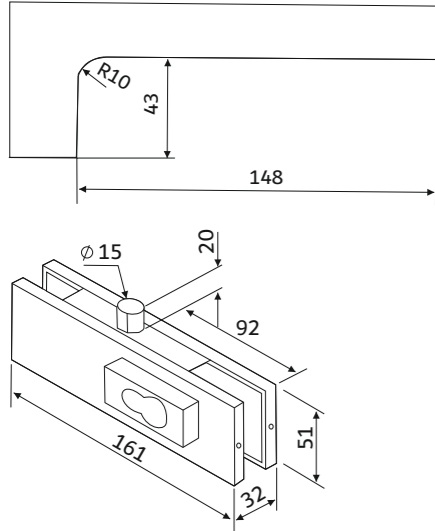
Features :

- Fit to Glass Thickness 10/12mm
- Finish Of The Cover Plate :
Satin Stainless Steel(SSS)
Polished Stainless Steel (PSS)

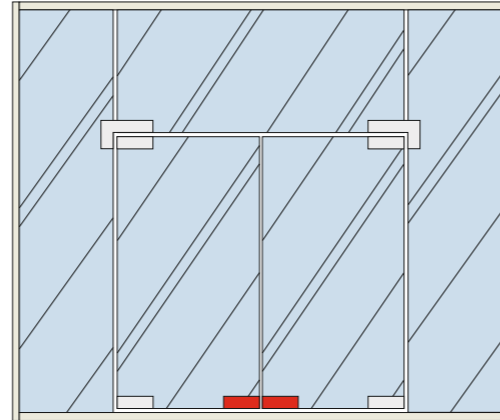
Elite Glass Patch Fittings

EPF 1706 Glass Bottom Lock

Glass Preparation



Bottom patch lock



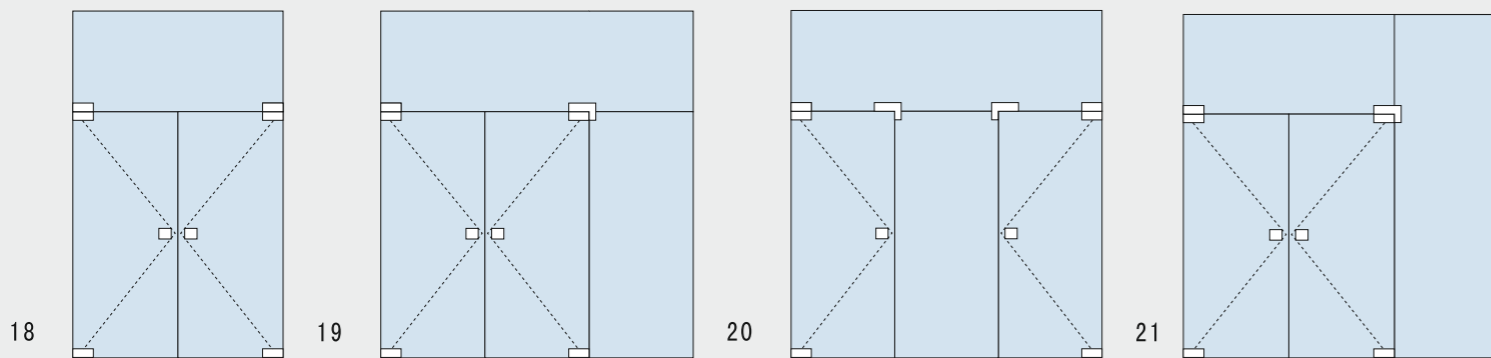
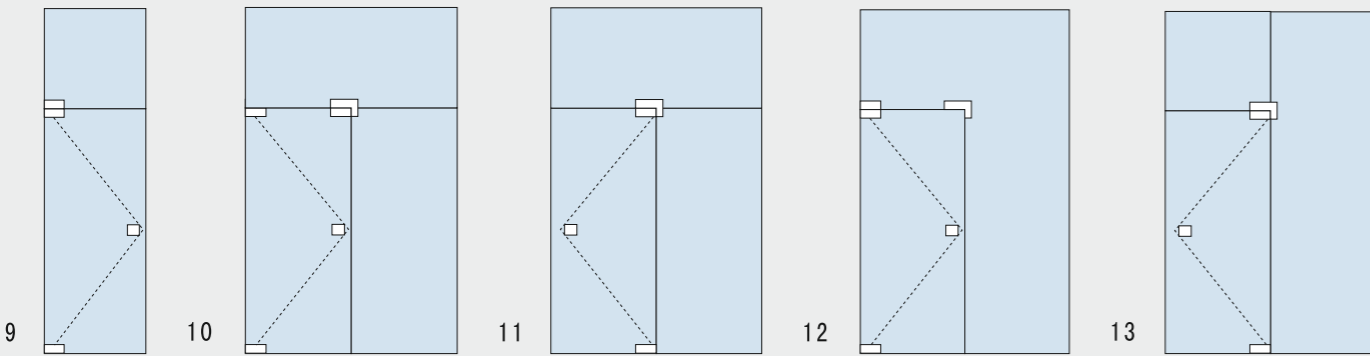
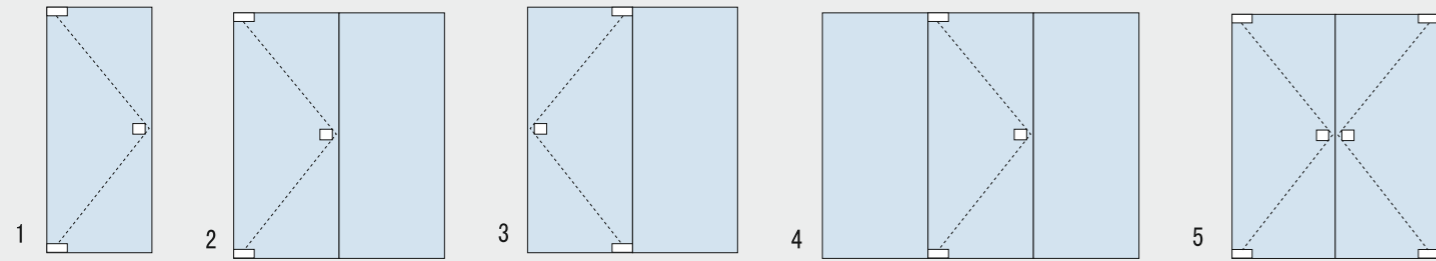
Features :

- Fit to Glass Thickness 10/12mm
- Finish of the Cover Plate :
Satin Stainless Steel (SSS)
Polished Stainless Steel (PSS)

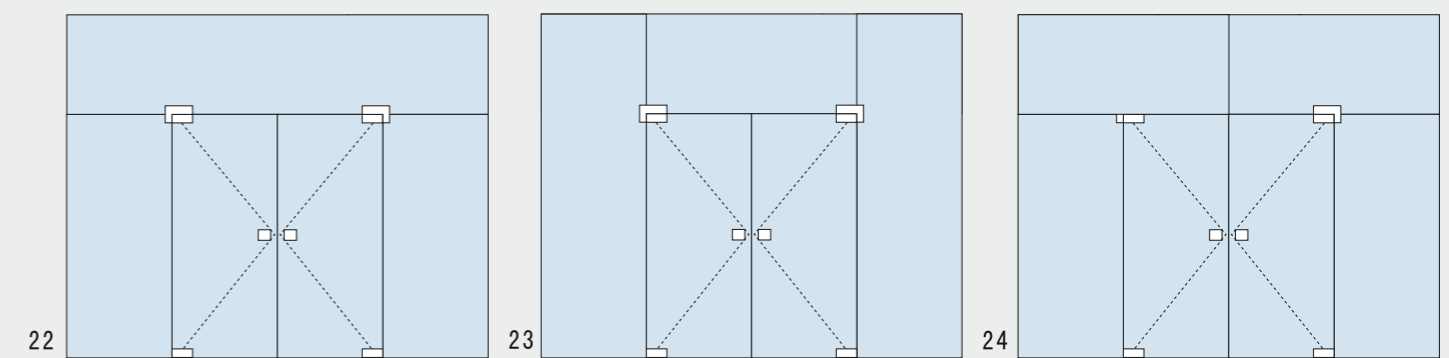
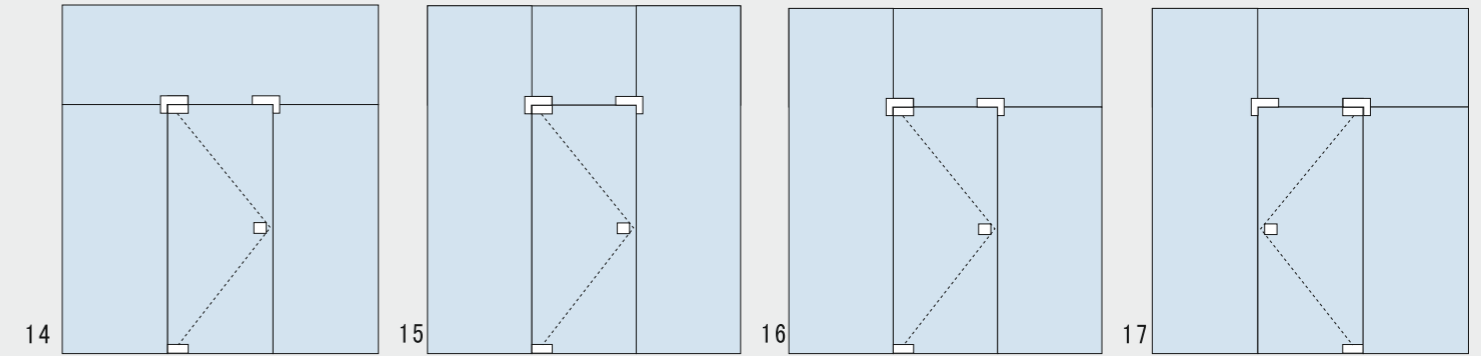
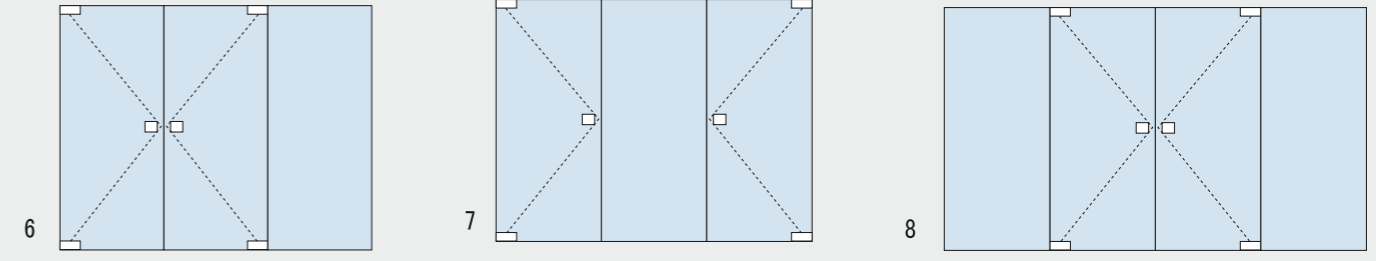


Glass Solid Patch Fittings

OPTIONS



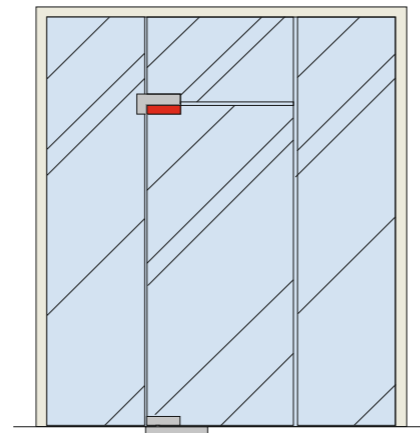
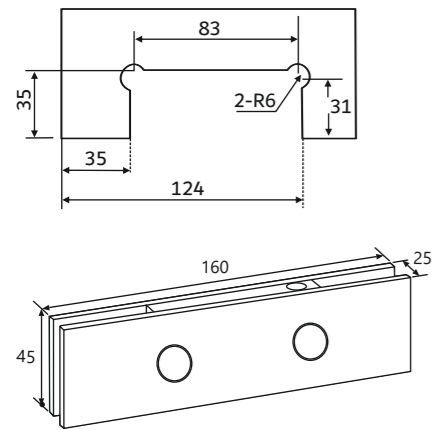
Glass Solid Patch Fittings



Glass Solid Patch Fittings

EPF 601 Top Patch

Glass Preparation

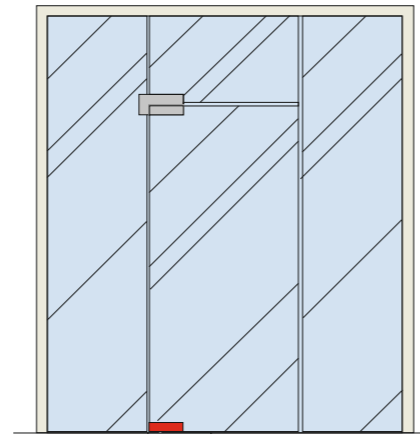
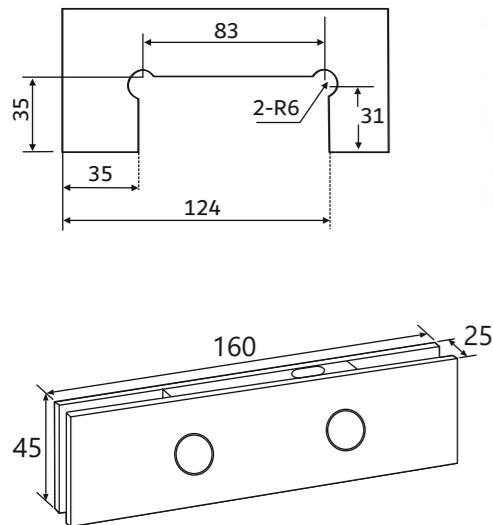


Features :

- For 8mm to 12mm Glass
- Material : Stainless Steel
- Finish : Satin Stainless Steel(SSS)
Polished Stainless Steel (PSS)

EPF 602 Bottom Patch

Glass Preparation



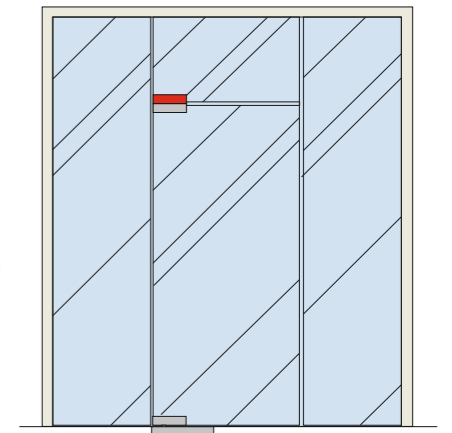
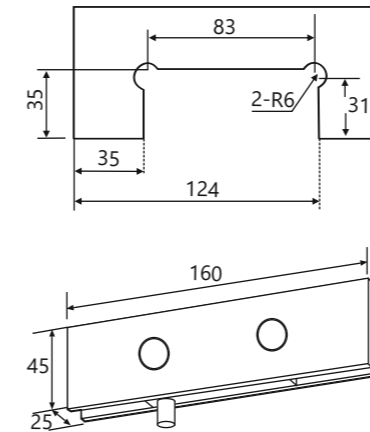
Features :

- For 8mm to 12mm Glass
- Material : Stainless Steel
- Finish : Satin Stainless Steel(SSS)
Polished Stainless Steel (PSS)

Glass Solid Patch Fittings

EPF 603 Overpanel Pivot Patch

Glass Preparation

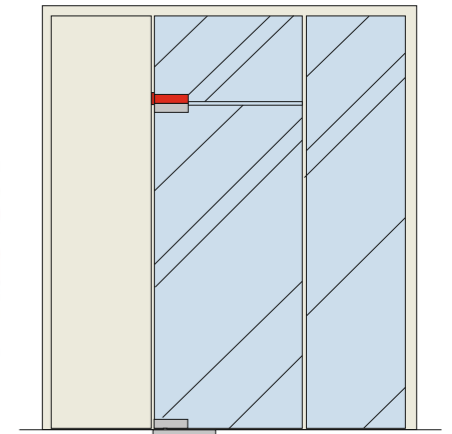
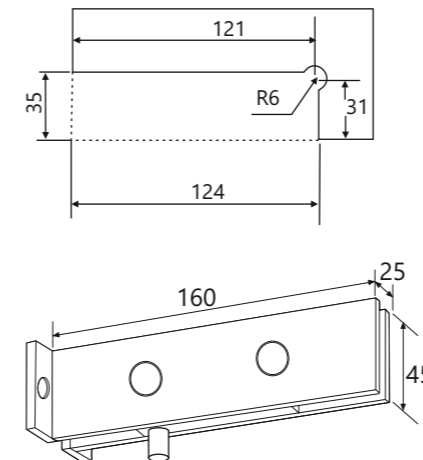


Features :

- For 8mm to 12mm Glass
- Material : Stainless Steel
- Finish : Satin Stainless Steel(SSS)
Polished Stainless Steel (PSS)

EPF 603 - A Overpanel Pivot Patch With Plate

Glass Preparation



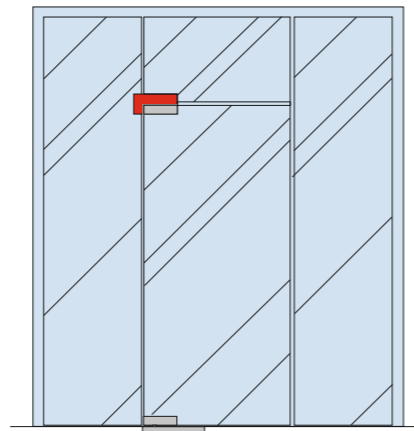
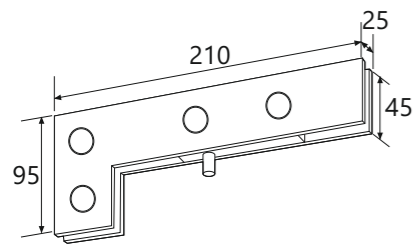
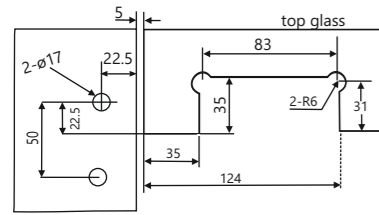
Features :

- For 8mm to 12mm Glass
- Material : Stainless Steel
- Finish : Satin Stainless Steel(SSS)
Polished Stainless Steel (PSS)

Glass Solid Patch Fittings

EPF 604 Overpanel 'L' Patch

Glass Preparation

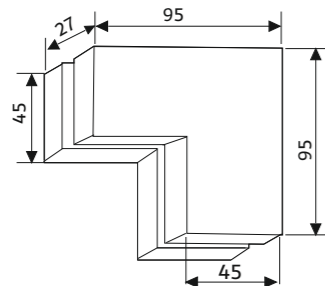
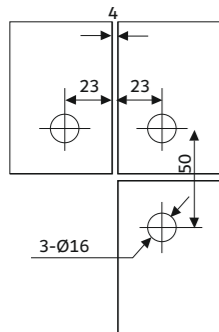


Features :

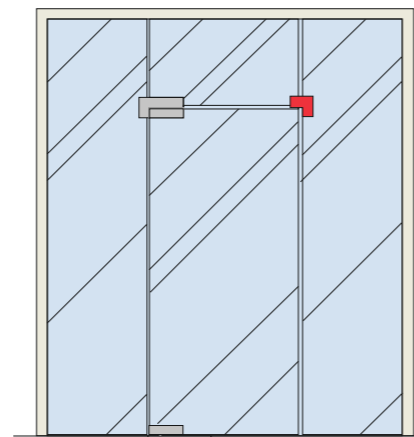
- For 8mm to 12mm Glass
- Material : Stainless Steel
- Finish : Satin Stainless Steel(SSS)
Polished Stainless Steel (PSS)

EPF 605 Top Fix Corner 'L' Patch

Glass Preparation



Top Fix Corner 'L' Patch



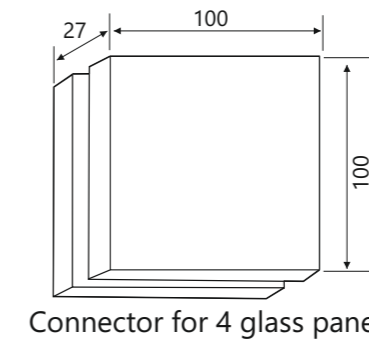
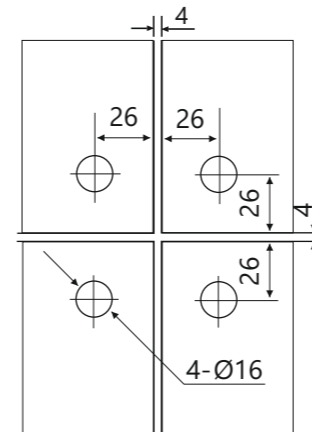
Features :

- For 8mm to 12mm Glass
- Material : Stainless Steel
- Finish : Satin Stainless Steel(SSS)
Polished Stainless Steel (PSS)

Glass Solid Patch Fittings

EPF 613 A Connector For 4 Glass Panels

Glass Preparation



Connector for 4 glass panels

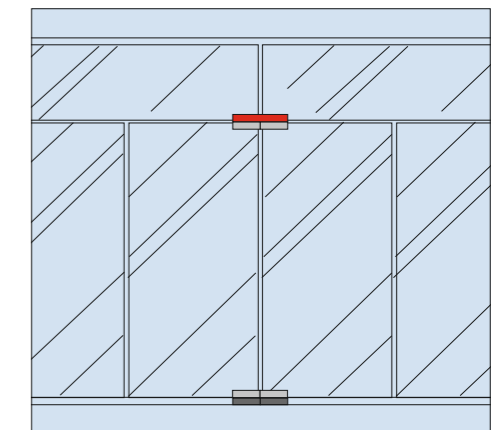
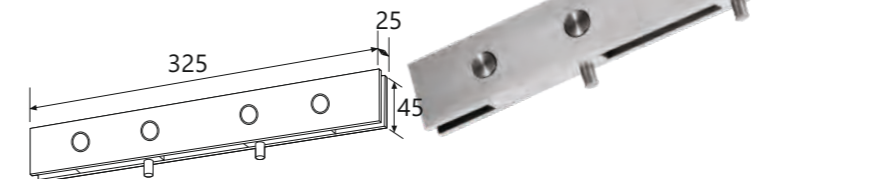
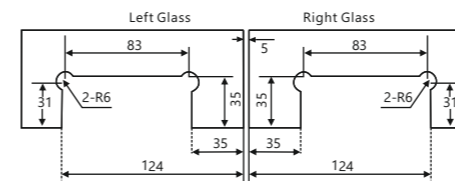


Features :

- For 8mm to 12mm Glass
- Material : Stainless Steel
- Finish : Satin Stainless Steel(SSS)
Polished Stainless Steel (PSS)

EPF 611 Double Overpanel Pivot Patch

Glass Preparation



Features :

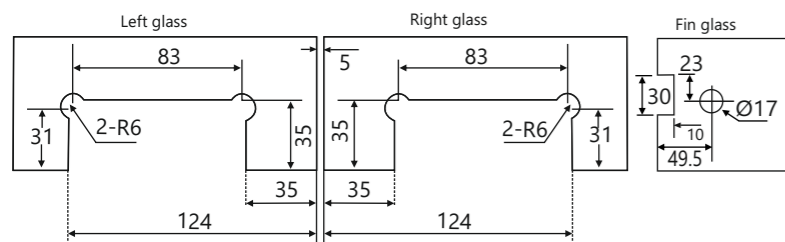
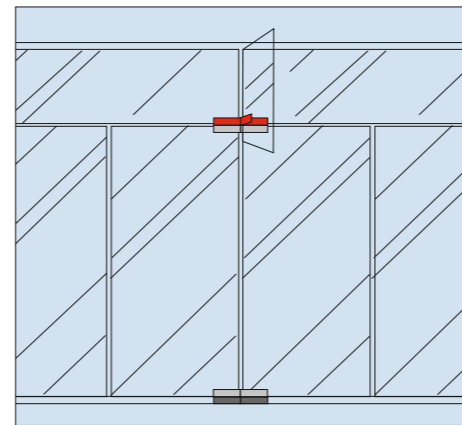
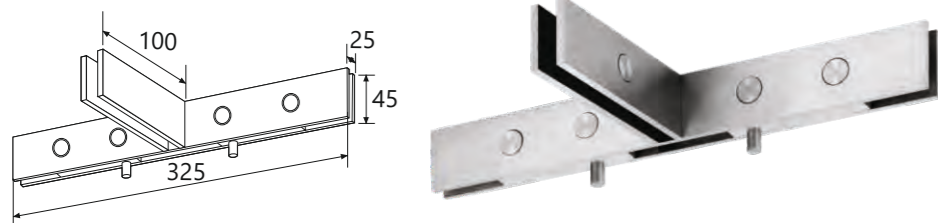
- For 8mm to 12mm Glass
- Material : Stainless Steel
- Finish : Satin Stainless Steel(SSS)

Glass Solid Patch Fittings

EPF 610

Double Overpanel Pivot Patch With Fin

Glass Preparation



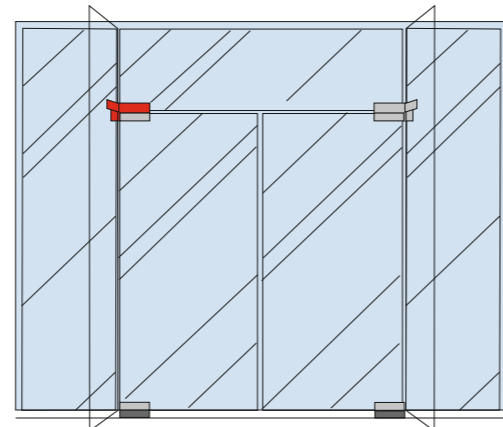
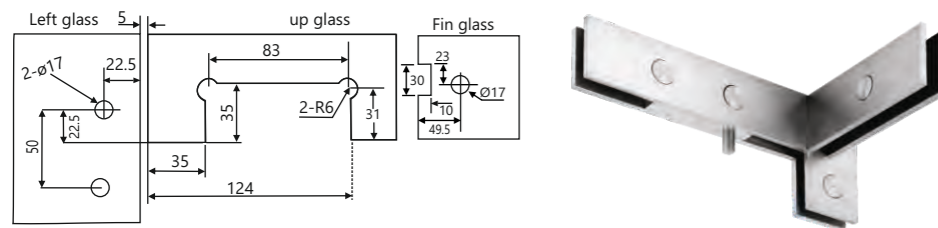
Features :

- For 8mm to 12mm Glass
- Material : Stainless Steel
- Finish : Satin Stainless Steel(SSS)

EPF 609 - L

Overpanel 'L' Patch With Fin (Left)

Glass Preparation



Features :

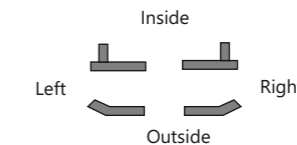
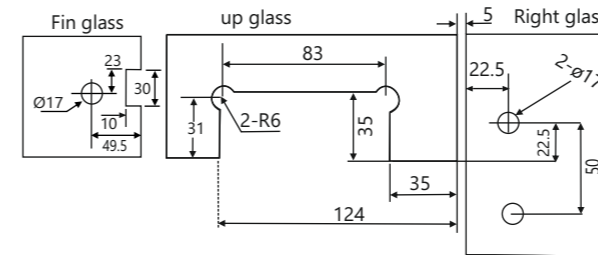
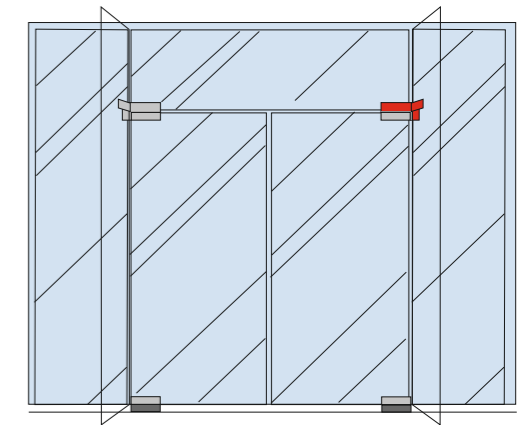
- For 8mm to 12mm Glass
- Material : Stainless Steel
- Finish : Satin Stainless Steel(SSS)

Glass Solid Patch Fittings

EPF 609 - R

Overpanel 'L' Patch With Fin (Left)

Glass Preparation



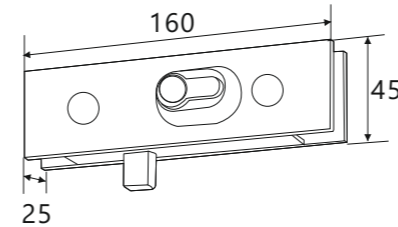
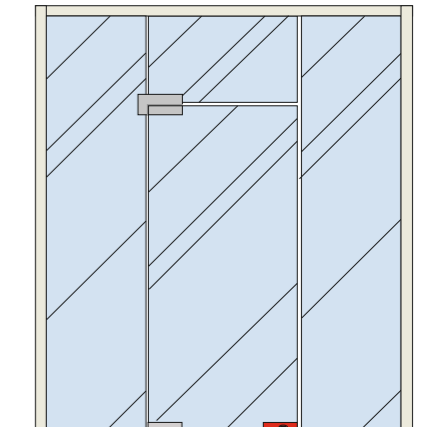
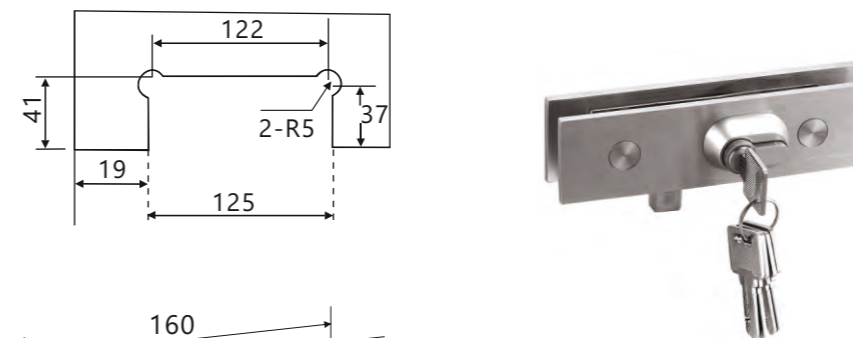
Features :

- For 8mm to 12mm Glass
- Material : Stainless Steel
- Finish : Satin Stainless Steel(SSS)

EPF 606

Bottom / Center Lock

Glass Preparation



Features :

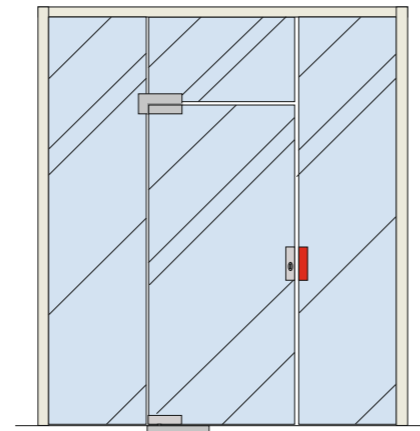
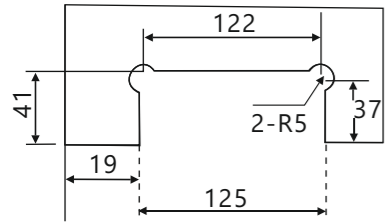
- For 8mm to 12mm Glass
- Material : Stainless Steel
- Finish : Satin Stainless Steel(SSS)
Polished Stainless Steel (PSS)

Glass Solid Patch Fittings

EPF 608

Strike Box for EPF - 606

Glass Preparation



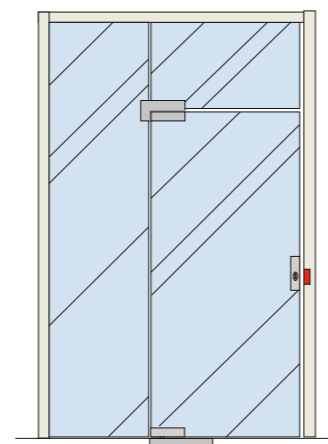
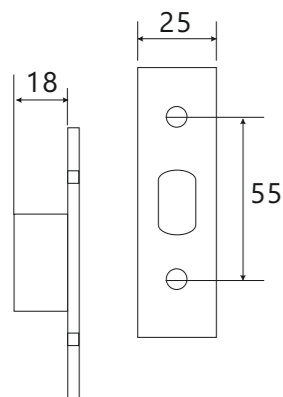
Features :

- For 8mm to 12mm Glass
- Material : Stainless Steel
- Finish : Satin Stainless Steel(SSS)
Polished Stainless Steel (PSS)

EPF 608 A

Strike Box for EPF - 606 & 618

Glass Preparation



Features :

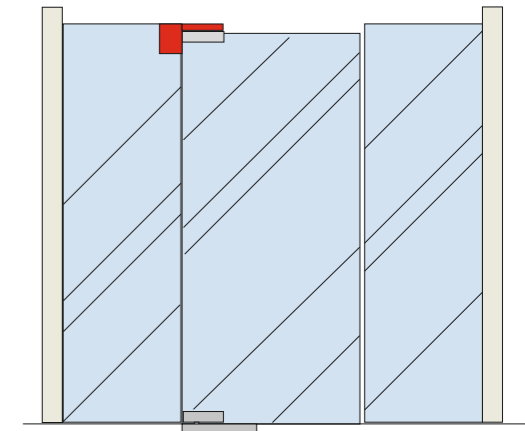
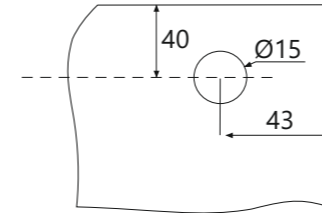
- Material : Stainless Steel
- Finish : Satin Stainless Steel(SSS)

Glass Solid Patch Fittings

EPF 613

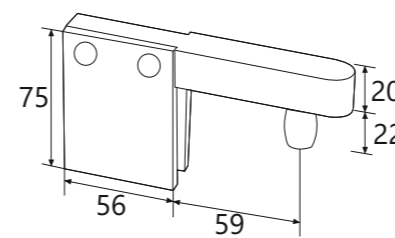
Top Pivot Connection With Glass

Glass Preparation



Features :

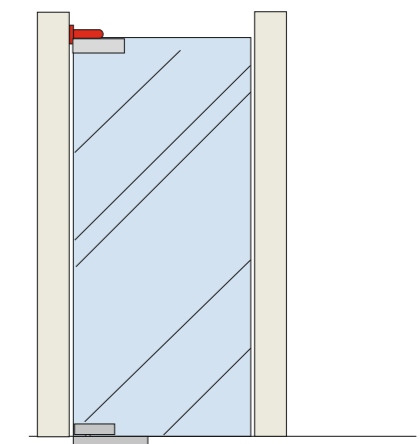
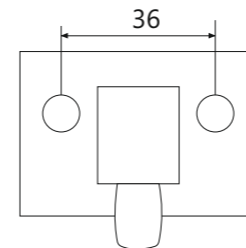
- For 8mm to 12mm Glass
- Material : Stainless Steel
- Finish : Satin Stainless Steel(SSS)



EPF 614

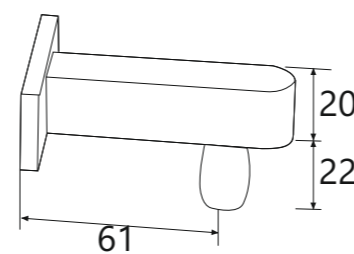
Top Pivot Connection With Wall

Glass Preparation



Features :

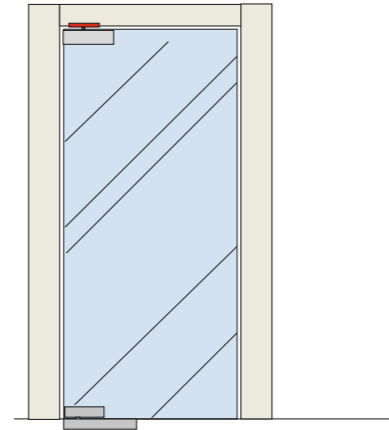
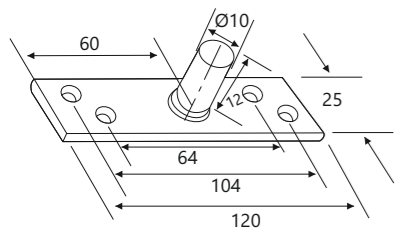
- Material : Stainless Steel
- Finish : Satin Stainless Steel(SSS)



Glass Solid Patch Fittings

EPF 612 Top Pivot Connector With Ceiling

Glass Preparation



Features :

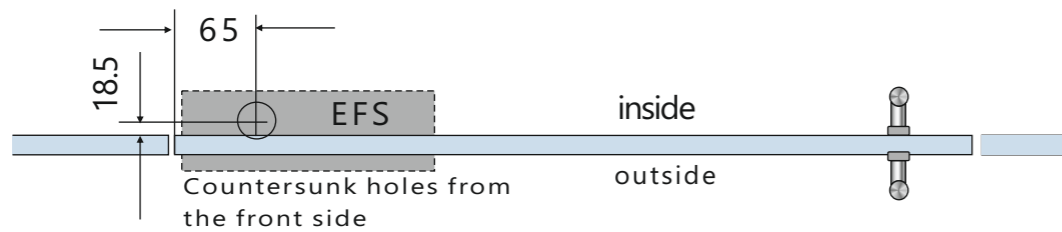
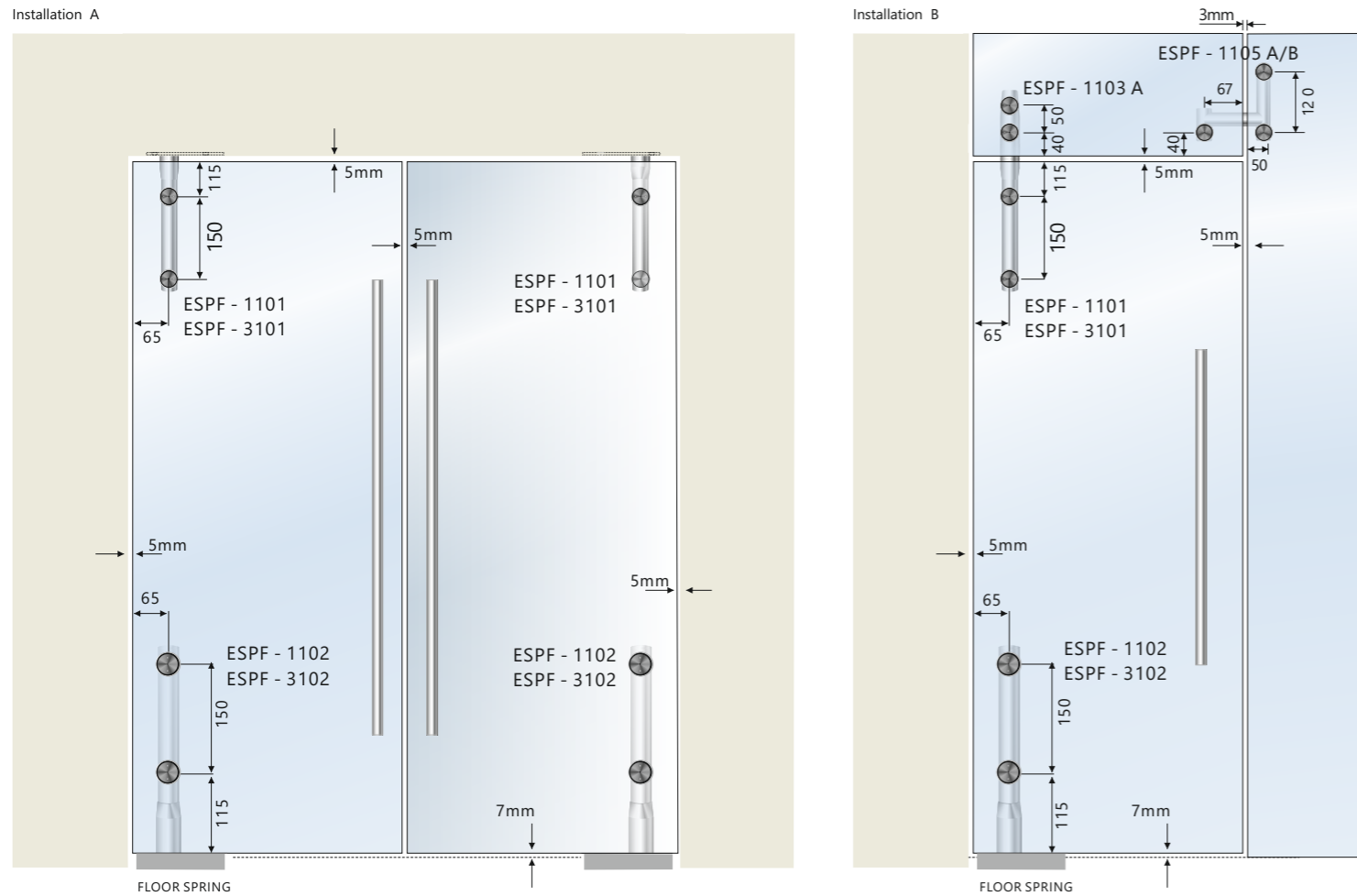
- Material : Stainless Steel
- Finish : Satin Stainless Steel(SSS)

Swift Door Patch System



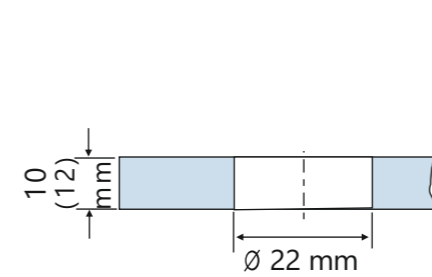
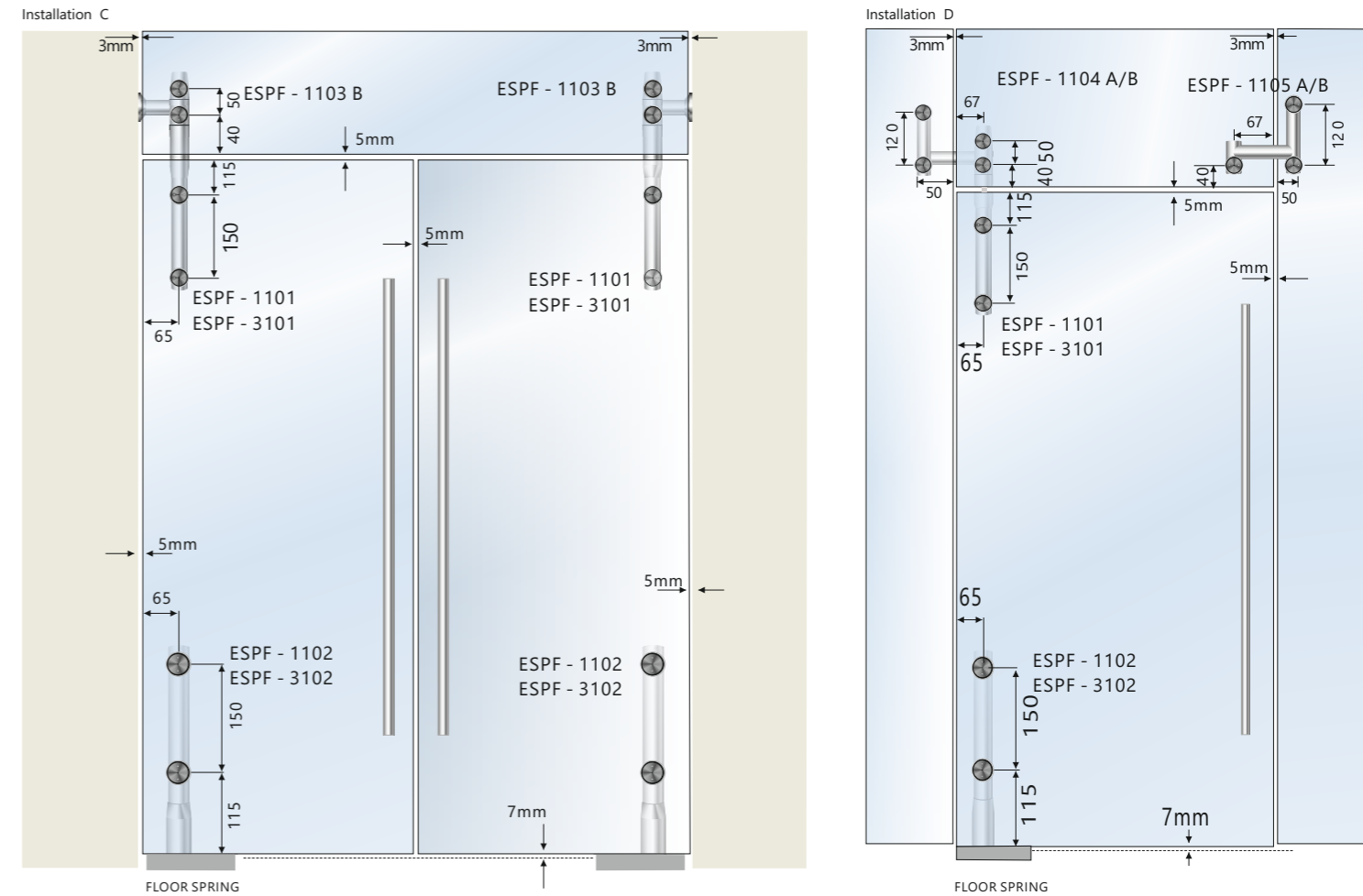
Swift Door Patch Fittings

TYPICAL LAYOUTS & GLASS PREPARATION FOR SWIFT SERIES GLASS FITTINGS

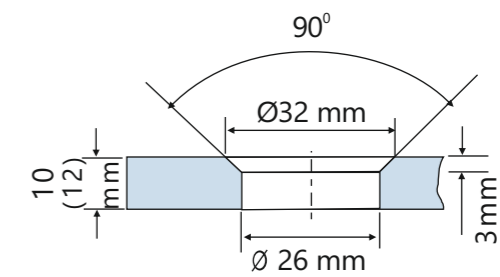


MEASUREMENT FOR FLOOR SPRING OFFSET

Swift Door Patch Fittings



GLASS PREPARATION
ESPF - 3101 / 3102



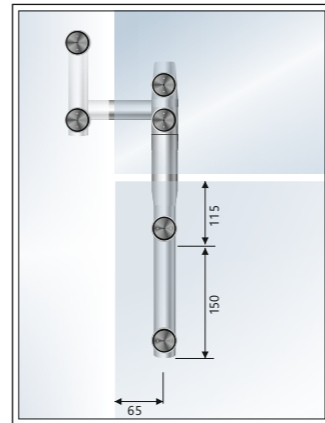
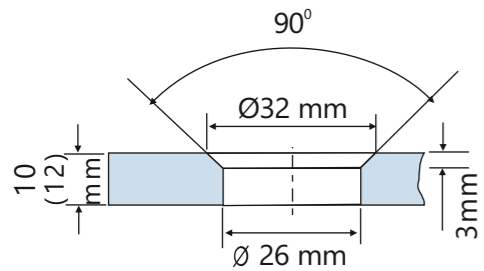
GLASS PREPARATION
ESPF - 1101 / 1102

Swift Patch Fittings

ESPF - 1101

Pivot Pole With Single Point Fixings
Pivot Bearing For Top Mounting

Glass Preparation



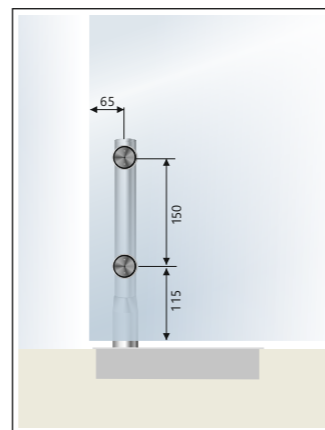
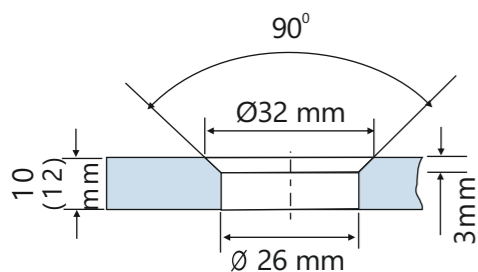
Features :

- For 10mm to 12mm Glass
- Material : Stainless Steel
- Finish : Satin Stainless Steel (SSS)

ESPF - 1102

Pivot Pole With Single Point Fixings
Pivot Bearing For Floor Pivot

Glass Preparation



Features :

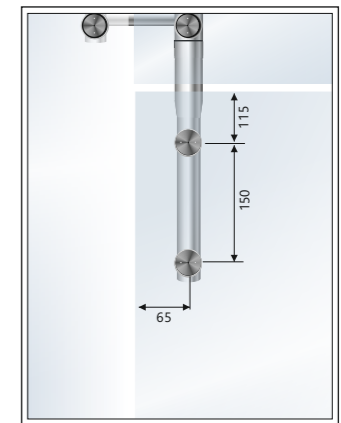
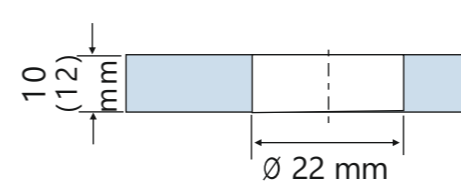
- For 10mm to 12mm Glass
- Material : Stainless Steel
- Finish : Satin Stainless Steel (SSS)

Swift Patch Fittings

ESPF - 3101

Pivot Pole With Single Point Fixings
Pivot Bearing For Top Mounting

Glass Preparation



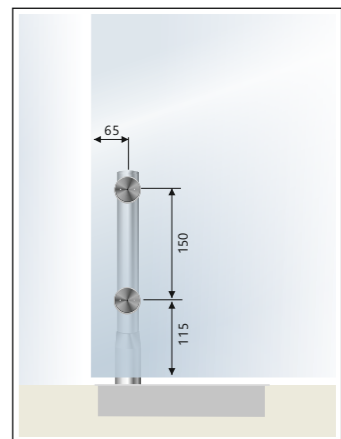
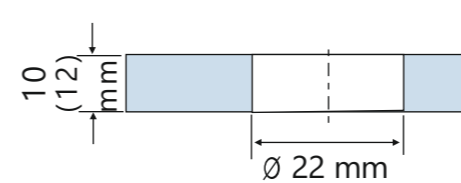
Features :

- For 10mm to 12mm Glass
- Material : Stainless Steel
- Finish : Satin Stainless Steel (SSS)

ESPF - 3102

Pivot Pole With Single Point Fixings
Pivot Bearing For Floor Pivot

Glass Preparation



Features :

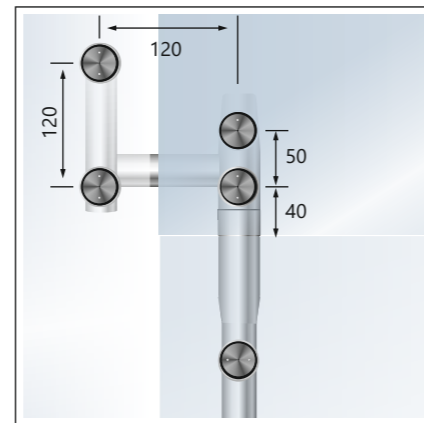
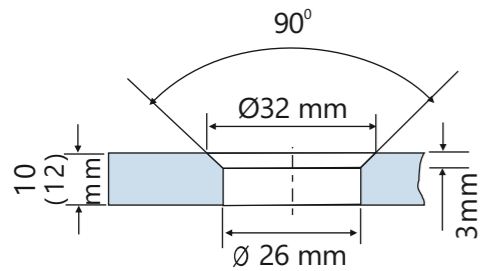
- For 10mm to 12mm Glass
- Material : Stainless Steel
- Finish : Satin Stainless Steel (SSS)

Swift Patch Fittings

ESPF - 1104 - A

Overpanel / Side Connector With Pivot Bearing Location (Round)

Glass Preparation



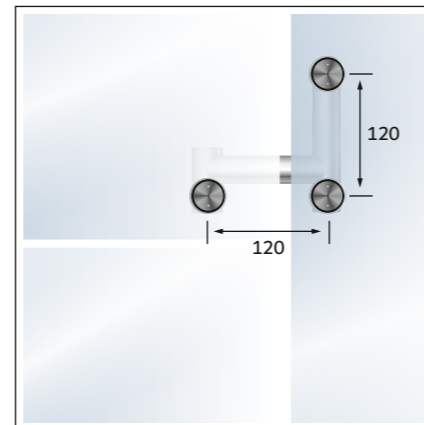
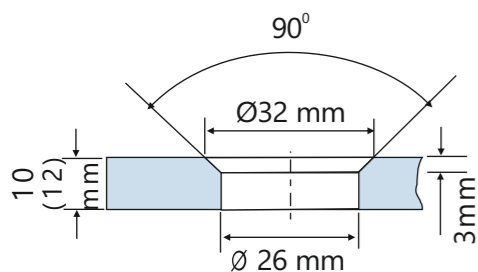
Features :

- For 10mm to 12mm Glass
- Material : Stainless Steel
- Finish : Satin Stainless Steel (SSS)

ESPF - 1105-A

Overpanel / Side Connector (Round)

Glass Preparation



Features :

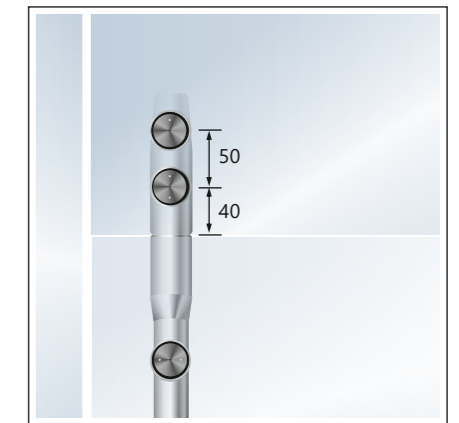
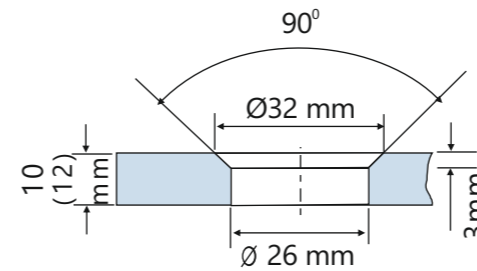
- For 10mm to 12mm Glass
- Material : Stainless Steel
- Finish : Satin Stainless Steel (SSS)

Swift Patch Fittings

ESPF - 1103 - A

Pivot Bearing Location For Overpanel

Glass Preparation



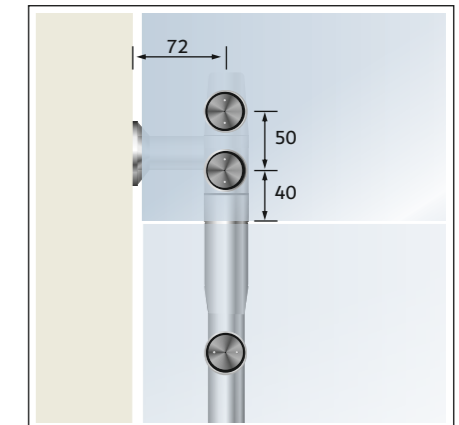
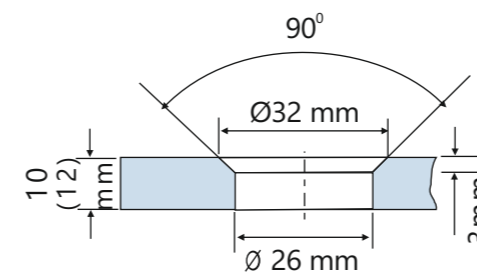
Features :

- For 10mm to 12mm Glass
- Material : Stainless Steel
- Finish : Satin Stainless Steel (SSS)

ESPF - 1103 - B

T-type Pivot Bearing Location For Overpanel

Glass Preparation



Features :

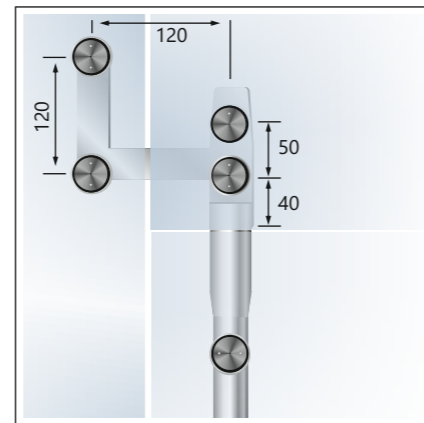
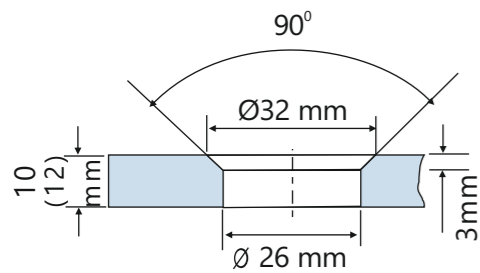
- For 10mm to 12mm Glass
- Material : Stainless Steel
- Finish : Satin Stainless Steel (SSS)

Swift Patch Fittings

ESPF - 1104 - B

Overpanel / Side Connector With Pivot Bearing Location (Flat)

Glass Preparation



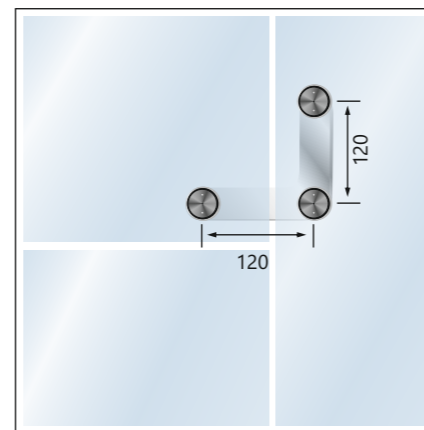
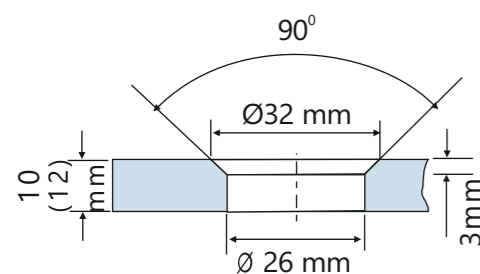
Features :

- For 10mm to 12mm Glass
- Material : Stainless Steel
- Finish : Satin Stainless Steel (SSS)

ESPF - 1105 - B

Overpanel / Side Connector (Flat)

Glass Preparation



Features :

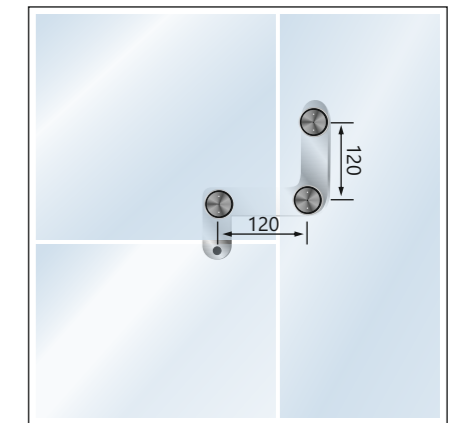
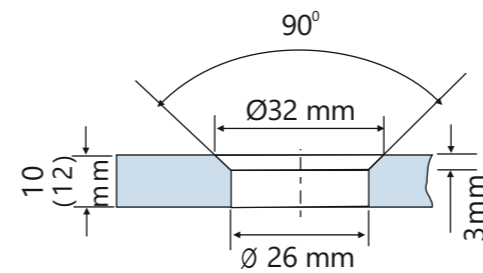
- For 10mm to 12mm Glass
- Material : Stainless Steel
- Finish : Satin Stainless Steel (SSS)

Swift Patch Fittings

ESPF - 1105 - C

Overpanel / Side Connector With Stop

Glass Preparation



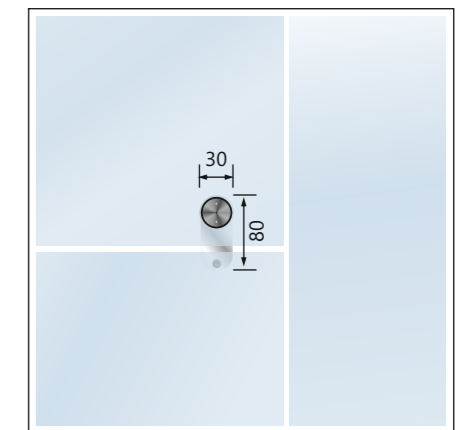
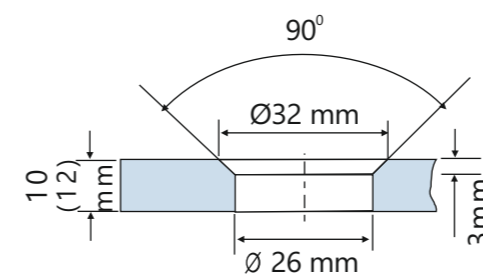
Features :

- For 10mm to 12mm Glass
- Material : Stainless Steel
- Finish : Satin Stainless Steel (SSS)

ESPF - 1105 - D

Door Stop

Glass Preparation



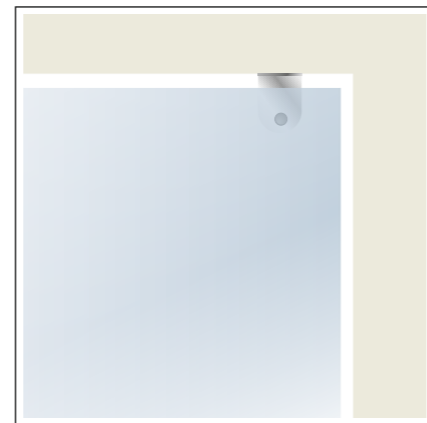
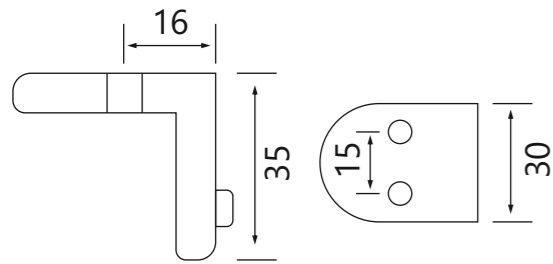
Features :

- For 10mm to 12mm Glass
- Material : Stainless Steel
- Finish : Satin Stainless Steel (SSS)

Swift Patch Fittings

ESPF - 1105 - E Stop For Overpanel Mounting

Glass Preparation

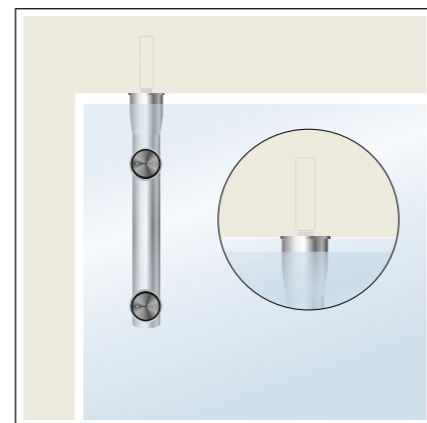
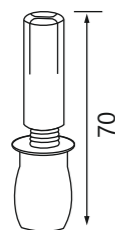


Features :

- Material : Stainless Steel
- Finish : Satin Stainless Steel (SSS)

ESPF - 1111 Top-Wall Pivot

Glass Preparation



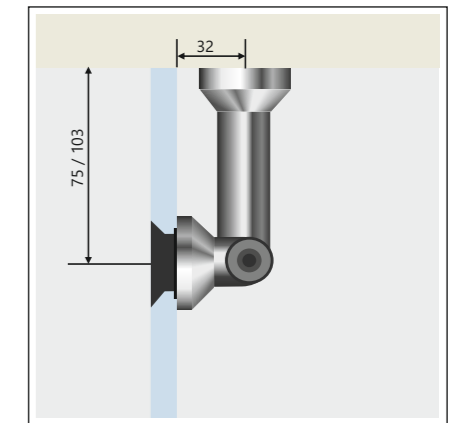
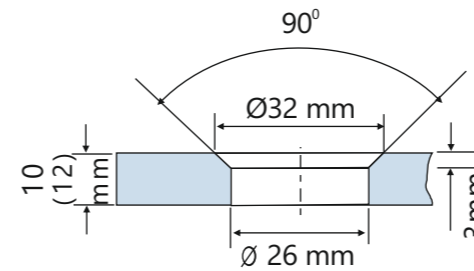
Features :

- Material : Stainless Steel
- Finish : Satin Stainless Steel (SSS)

Swift Patch Fittings

ESPF - 1107 Glass / Wall Corner Connector

Glass Preparation



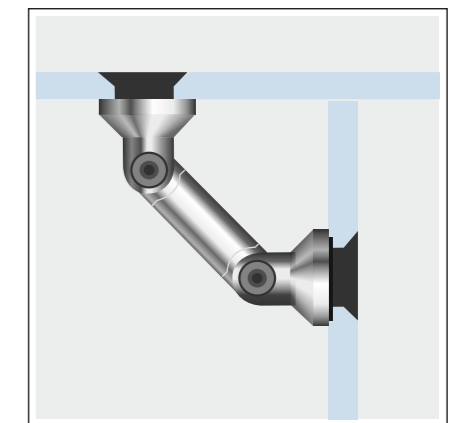
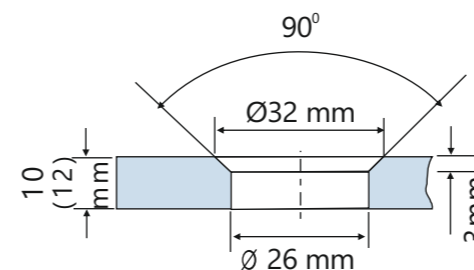
Features :

- For 10mm to 12mm Glass
- Material : Stainless Steel
- Finish : Satin Stainless Steel (SSS)

Option : ESPF 1107 - 75, ESPF 1107 - 105

ESPF - 1108 Glass / Wall Corner Connector

Glass Preparation



Features :

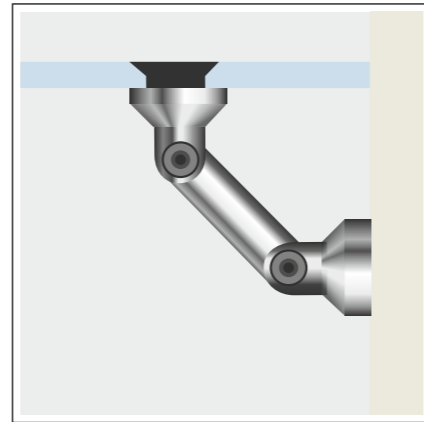
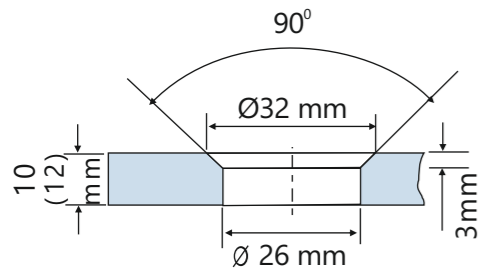
- For 10mm to 12mm Glass
- Material : Stainless Steel
- Finish : Satin Stainless Steel (SSS)

Option : ESPF 1108 - 52.5, ESPF 1108 - 60, ESPF 1108 - 82, ESPF 1108 - 103

Swift Patch Fittings

ESPF - 1109 Glass / Wall Corner Connector

Glass Preparation



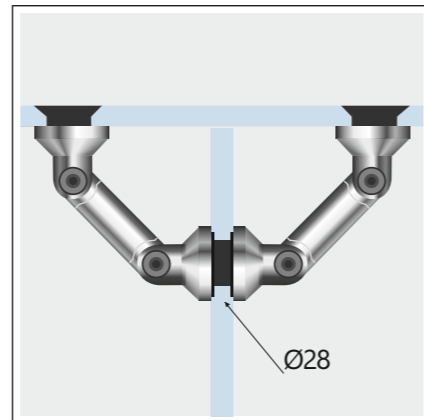
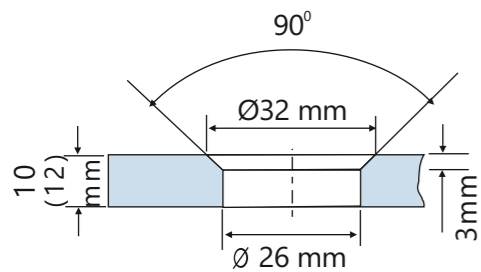
Features :

- For 10mm to 12mm Glass
- Material : Stainless Steel
- Finish : Satin Stainless Steel (SSS)

Option : ESPF 1109 - 52.5, ESPF 1109 - 60, ESPF 1109 - 82, ESPF 1109 - 103

ESPF - 1112 Clamping Connector for Fin

Glass Preparation



Features :

- For 10mm to 12mm Glass
- Material : Stainless Steel
- Finish : Satin Stainless Steel (SSS)

Option : ESPF 1112 - 52.5, ESPF 1112 - 60, ESPF 1112 - 82, ESPF 1112 - 103

Swift Oval Patch System

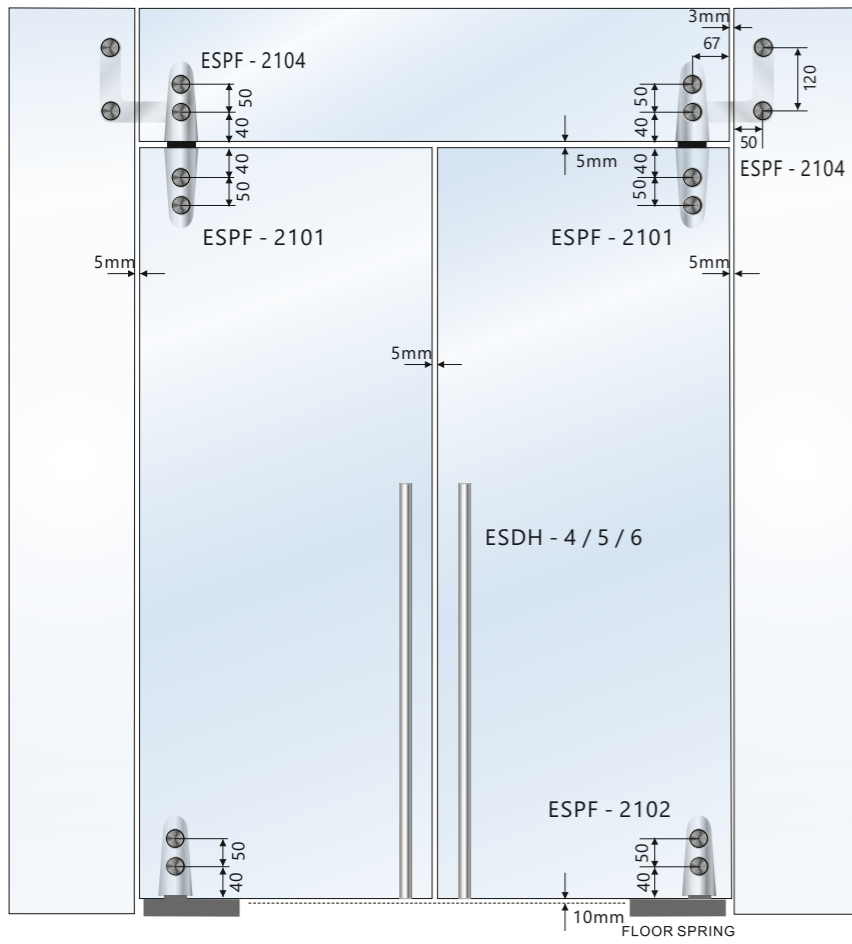


Glass Patch Fitting

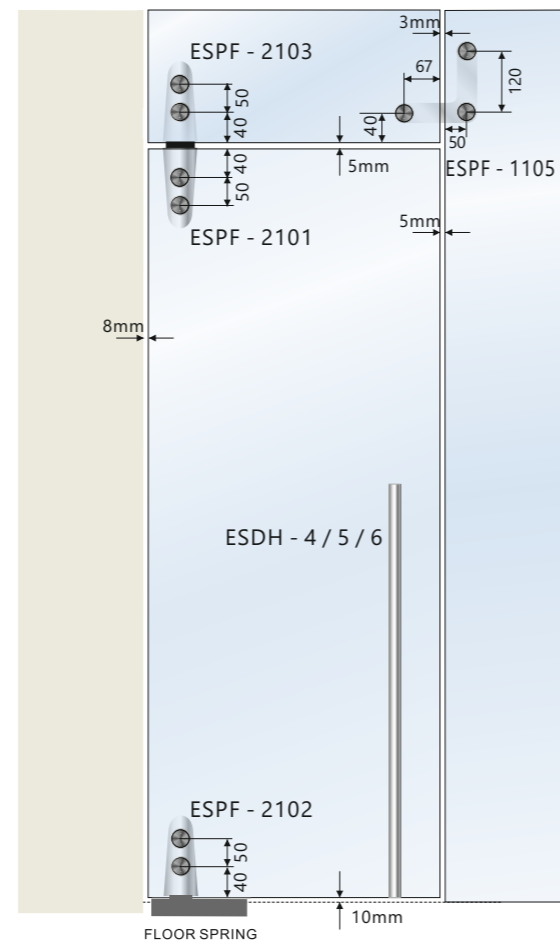
Swift Oval Patch Fittings

TYPICAL LAYOUTS FOR SWIFT GLASS FITTINGS OVAL SERIES

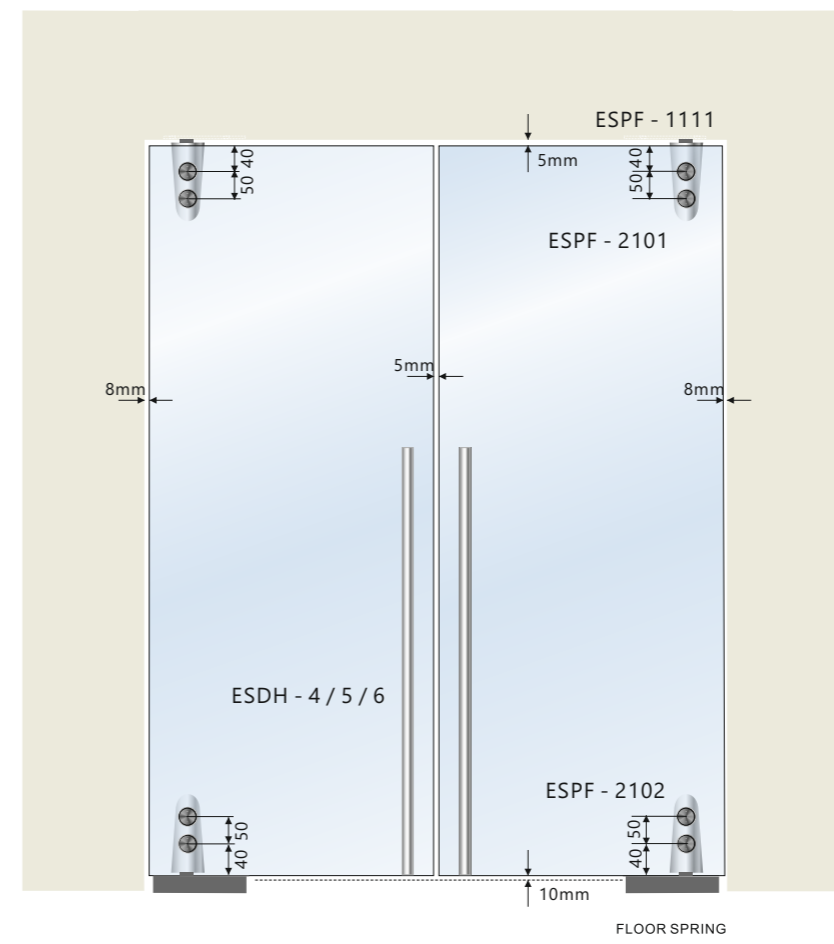
Installation E



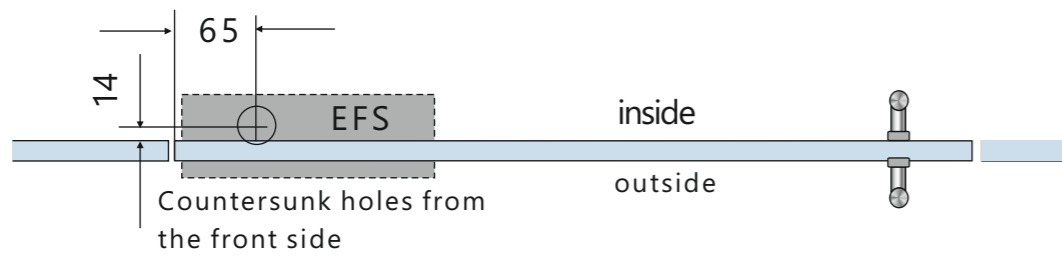
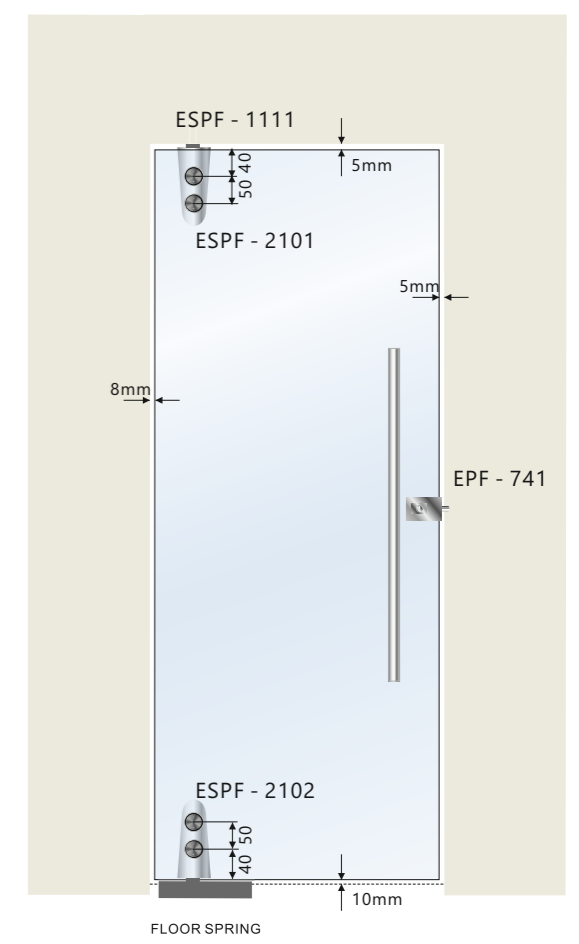
Installation F



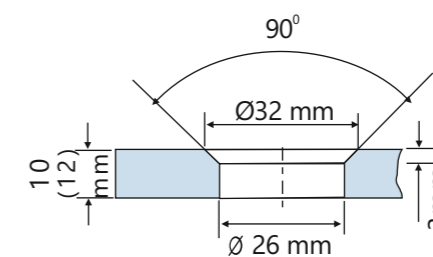
Installation G



Installation H



MEASUREMENT FOR FLOOR SPRING OFFSET

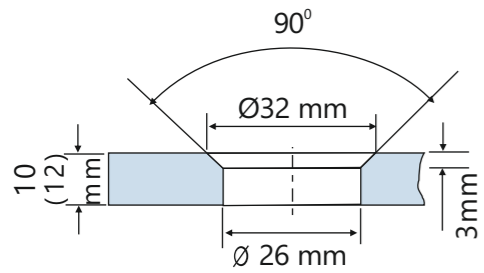


Glass Preparation

Swift Oval Patch Fittings

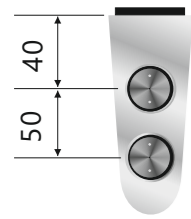
ESPF - 2101 Top Patch (Oval)

Glass Preparation



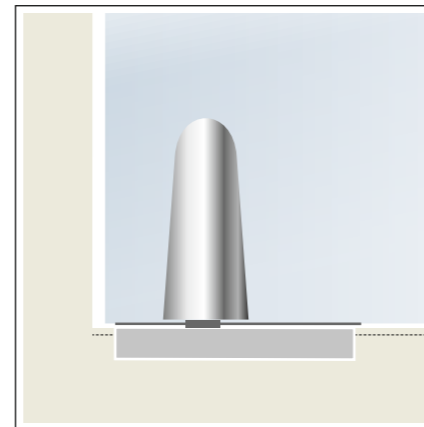
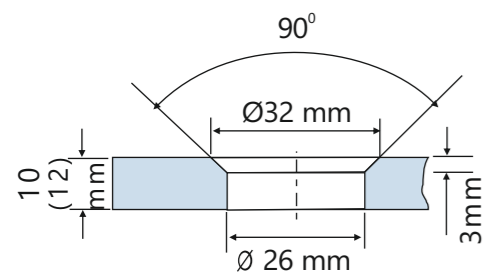
Features :

- For 10mm to 12mm Glass
- Material : Stainless Steel
- Finish : Satin Stainless Steel (SSS)



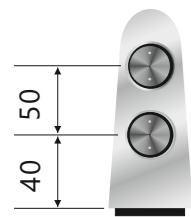
ESPF - 2102 Bottom Patch (Oval)

Glass Preparation



Features :

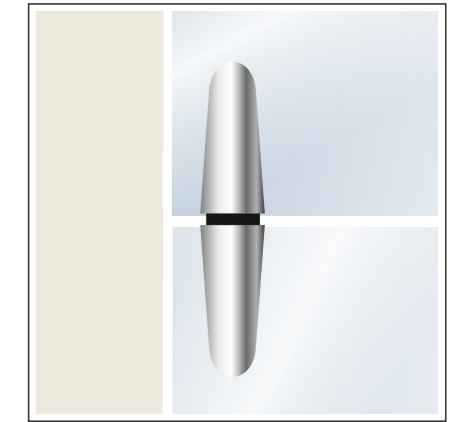
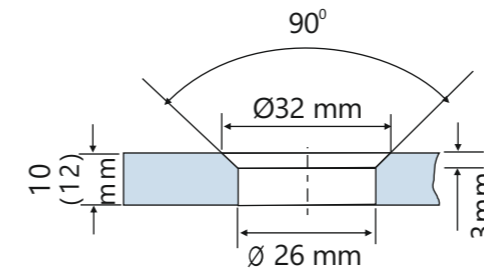
- For 10mm to 12mm Glass
- Material : Stainless Steel
- Finish : Satin Stainless Steel (SSS)



Swift Oval Patch Fittings

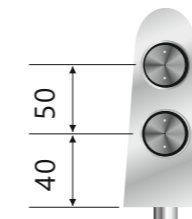
ESPF - 2103 Overpanel Pivot Patch (Oval)

Glass Preparation



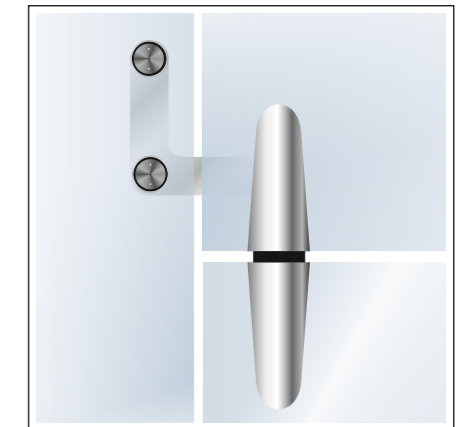
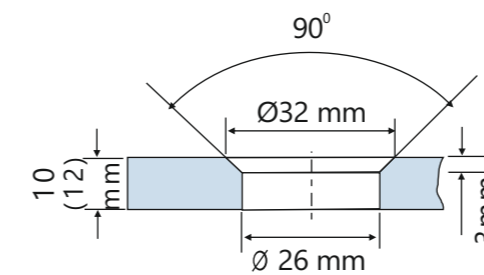
Features :

- For 10mm to 12mm Glass
- Material : Stainless Steel
- Finish : Satin Stainless Steel (SSS)



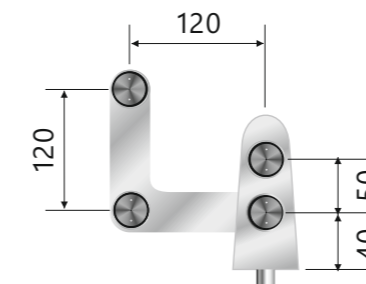
ESPF - 2104 Overpanel L Patch (Oval)

Glass Preparation



Features :

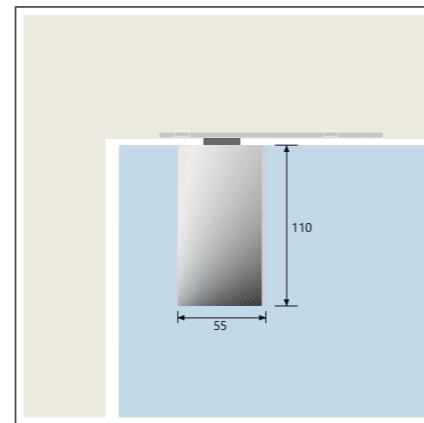
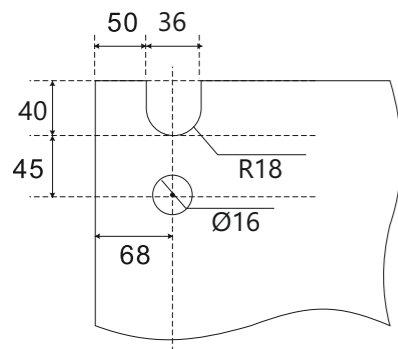
- For 10mm to 12mm Glass
- Material : Stainless Steel
- Finish : Satin Stainless Steel (SSS)



Swift Square Patch Fittings

EPF - 401 A Top Patch (Square)

Glass Preparation

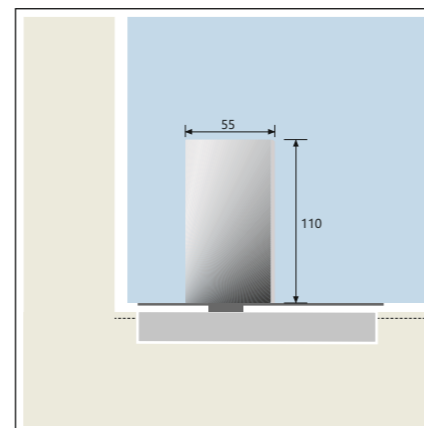
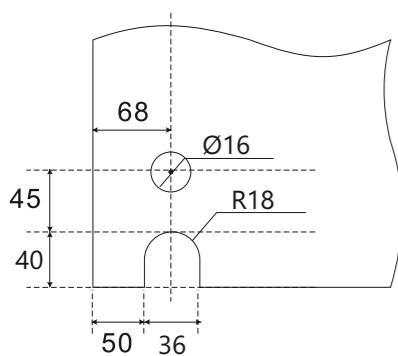


Features :

- For 10 mm to 12 mm Glass
- Material : Stainless Steel
- Finish : Satin Stainless Steel (SSS)
- Maximum Door Width : 900mm

EPF - 402 A Bottom Patch (Square)

Glass Preparation



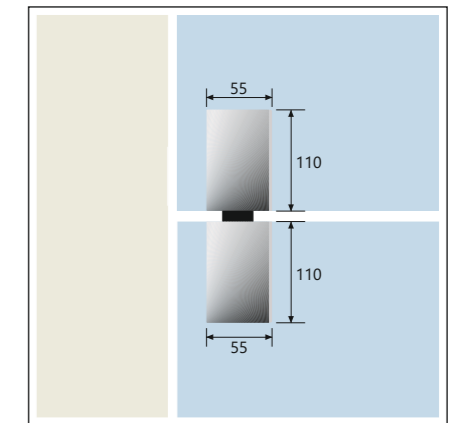
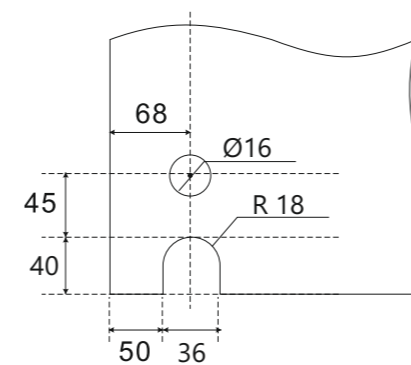
Features :

- For 10 mm to 12 mm Glass
- Material : Stainless Steel
- Finish : Satin Stainless Steel (SSS)
- Maximum Door Width : 900mm

Swift Square Patch Fittings

EPF - 403 A Overpanel Patch (Square)

Glass Preparation

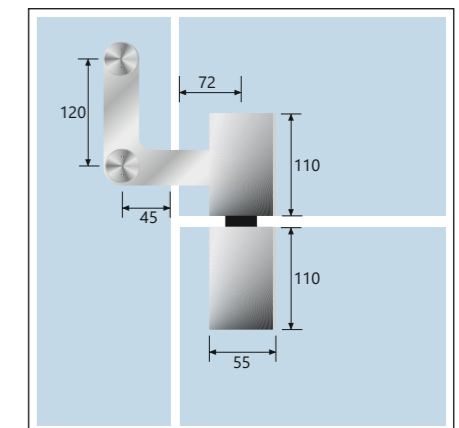
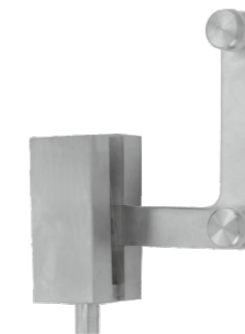
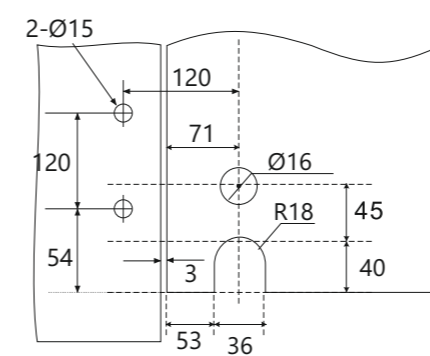


Features :

- For 10 mm to 12 mm Glass
- Material : Stainless Steel
- Finish : Satin Stainless Steel (SSS)
- Maximum Door Width : 900mm

EPF - 404 A Overpanel L Patch (Square)

Glass Preparation



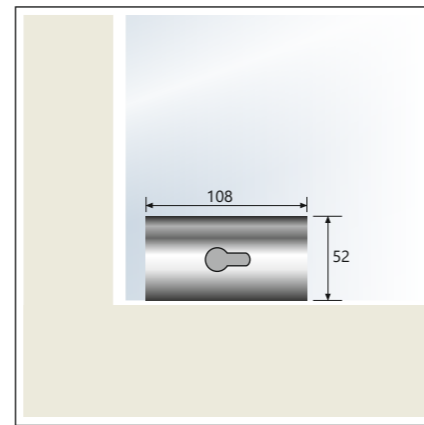
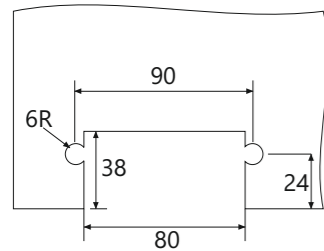
Features :

- For 10 mm to 12 mm Glass
- Material : Stainless Steel
- Finish : Satin Stainless Steel (SSS)
- Maximum Door Width : 900mm

Swift Round Patch Fittings

EPF - 306 Bottom Lock (Round)

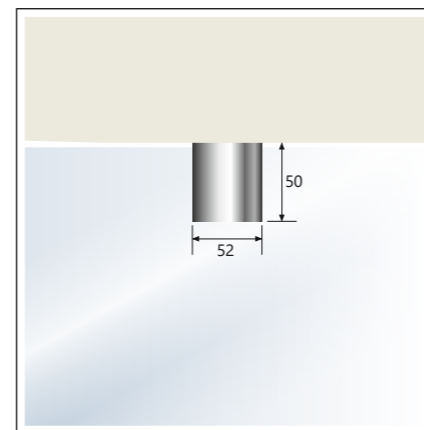
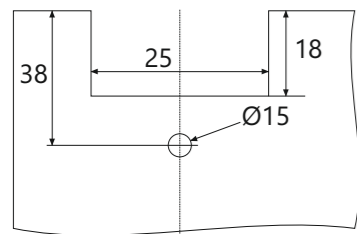
Glass Preparation



- Features :**
- For 10 mm to 12 mm Glass
 - Material : Stainless Steel
 - Finish : Satin Stainless Steel (SSS)

EPF - 315 Side Connector For Fixing Glass (Round)

Glass Preparation

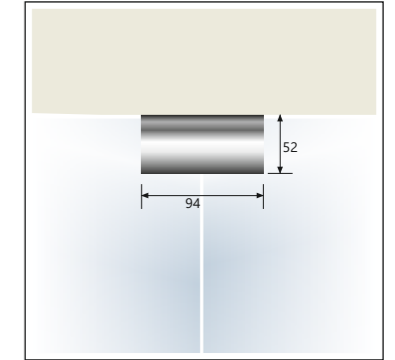
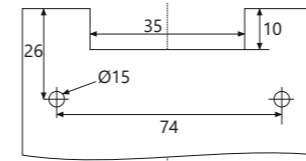


- Features :**
- For 10 mm to 12 mm Glass
 - Material : Stainless Steel
 - Finish : Satin Stainless Steel (SSS)

Swift Round Patch Fittings

EPF - 316 Connector To Fixing Two Glass Panels Into Wall (Round)

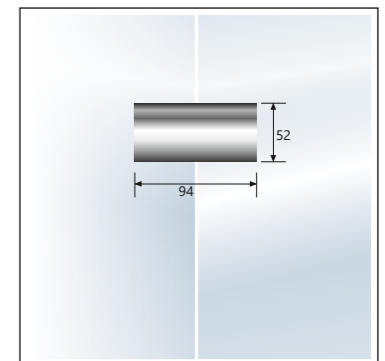
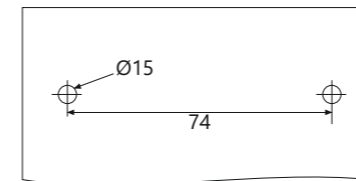
Glass Preparation



- Features :**
- For 10 mm to 12 mm Glass
 - Material : Stainless Steel
 - Finish : Satin Stainless Steel (SSS)

EPF - 316 - A Connector To Fixing Two Glass Panels (Round)

Glass Preparation



- Features :**
- For 10 mm to 12 mm Glass
 - Material : Stainless Steel
 - Finish : Satin Stainless Steel (SSS)

EPF - 312 Top Pivot

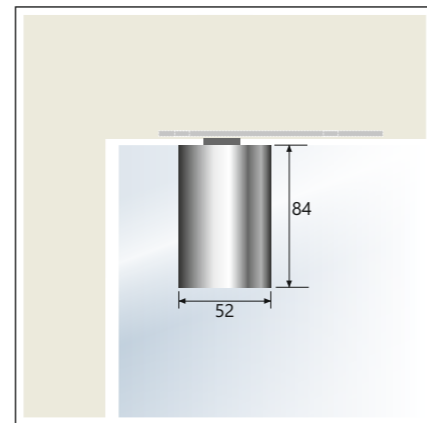
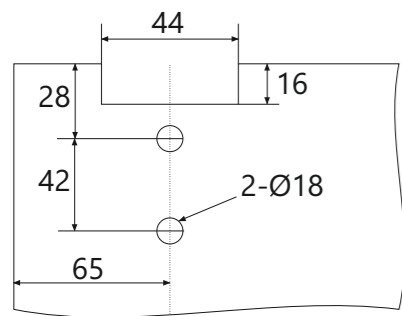


- Features :**
- Material : Stainless Steel
 - Finish : Satin Stainless Steel (SSS)

Swift Round Patch Fittings

EPF - 301 Top Patch (Round)

Glass Preparation

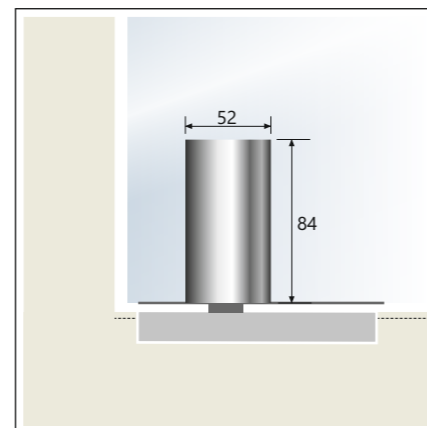
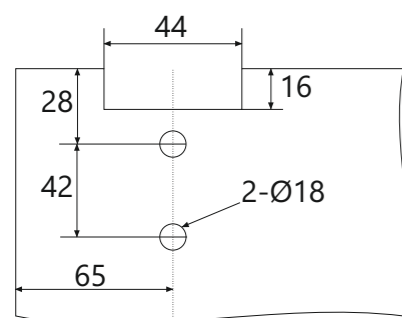


Features :

- For 10 mm to 12 mm Glass
- Material : Stainless Steel
- Finish : Satin Stainless Steel (SSS)
- Maximum Door Width : 750mm

EPF - 302 Bottom Patch (Round)

Glass Preparation



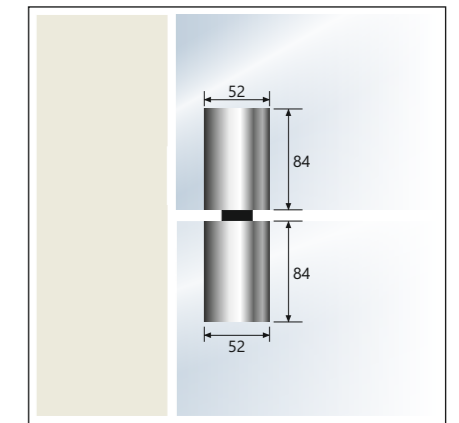
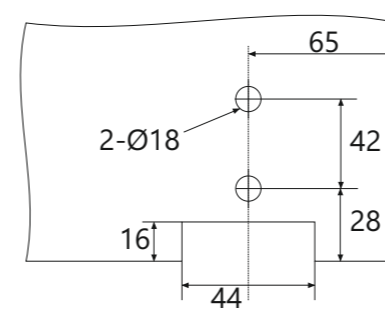
Features :

- For 10 mm to 12 mm Glass
- Material : Stainless Steel
- Finish : Satin Stainless Steel (SSS)
- Maximum Door Width : 750mm

Swift Round Patch Fittings

EPF - 303 Overpanel Patch (Round)

Glass Preparation

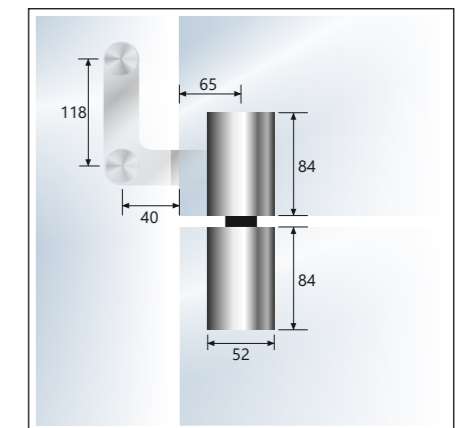
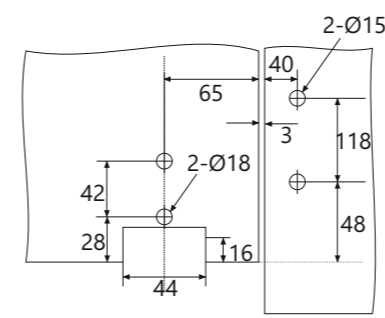


Features :

- For 10 mm to 12 mm Glass
- Material : Stainless Steel
- Finish : Satin Stainless Steel (SSS)
- Maximum Door Width : 750mm

EPF - 304 Overpanel L Patch (Round)

Glass Preparation



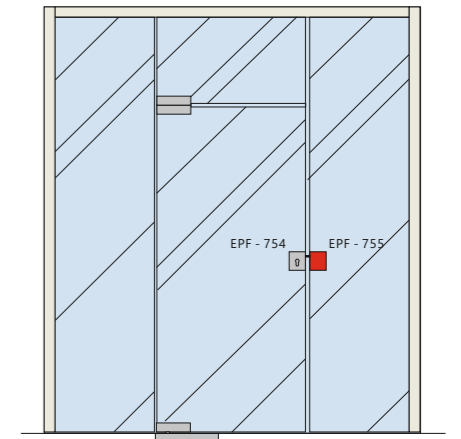
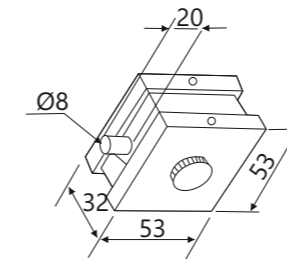
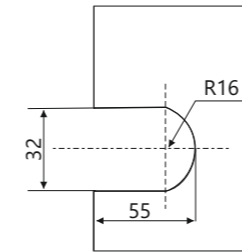
Features :

- For 10 mm to 12 mm Glass
- Material : Stainless Steel
- Finish : Satin Stainless Steel (SSS)
- Maximum Door Width : 750mm

Glass Openable Door Lock

EPF - 717 Turn Knob Lock

Glass Preparation

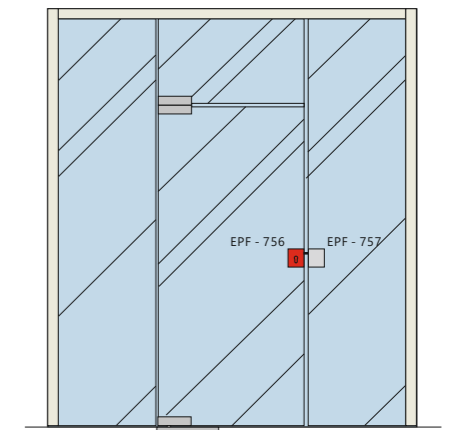
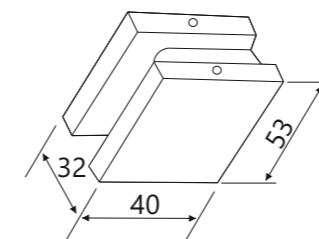
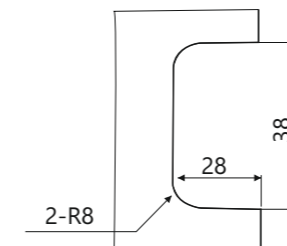


Features :

- Door Thickness : 8mm to 12mm
- Material : White Metal (Zinc Alloy)
- Finish : Satin Stainless Steel (SSS)

EPF - 718 Strike Box For EPF - 717

Glass Preparation



Features :

- Door Thickness : 8mm to 12mm
- Material : White Metal (Zinc Alloy)
- Finish : Satin Stainless Steel (SSS)

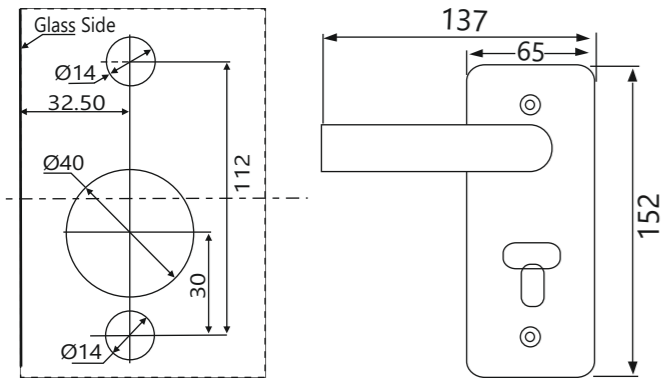
GLASS DOOR LOCK

Glass Openable Door Lock

EPF - 735

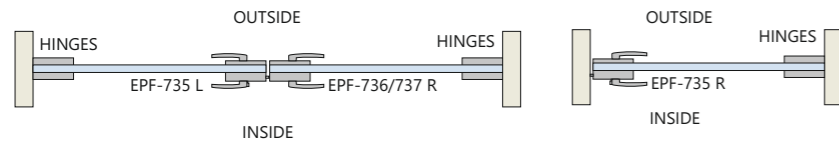
Right / Left Glass Door Lock (Rectangle) With Handle

Glass Preparation



Features :

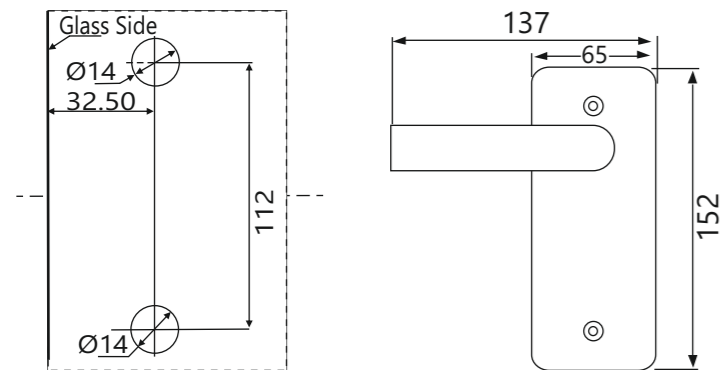
- For Openable Door
- Door Thickness : 10mm
- Material : Stainless Steel
- Finish : Brushed Nickel (BN)
Polished Stainless Steel (PSS)



EPF - 736

Right / Left Strike Box For Epf-735 With Handle (Rectangle)

Glass Preparation



Features :

- For Openable Door
- Door Thickness : 10mm
- Material : Stainless Steel
- Finish : Brushed Nickel (BN)

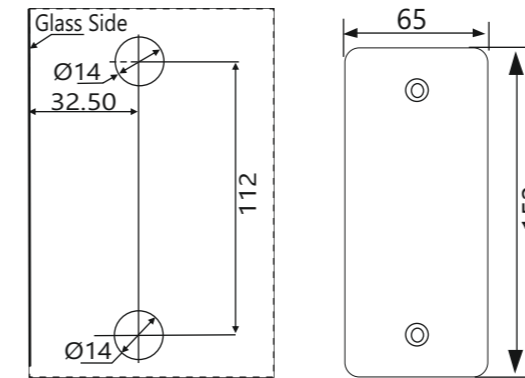


Glass Openable Door Lock

EPF - 737

Right / Left Strike Box For Epf-735 (Rectangle)

Glass Preparation



Features :

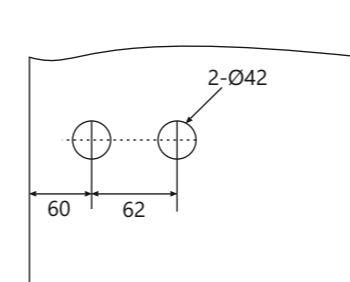
- For Openable Door
- Door Thickness : 10mm
- Material : Stainless Steel
- Finish : Brushed Nickel (BN)
Polished Stainless Steel (PSS)



EPF - 738

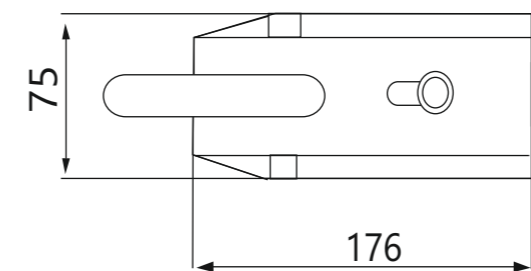
Glass Door Lock With Mortise Lock & Handle

Glass Preparation



Features :

- For Openable Door
- Door Thickness : 10mm
- Material : Stainless Steel
- Finish : Satin Stainless Steel(SSS)

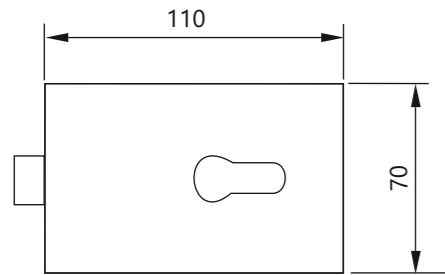
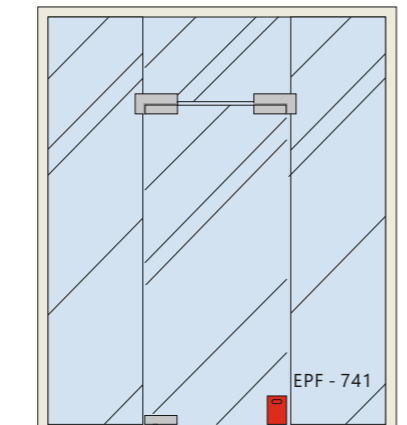
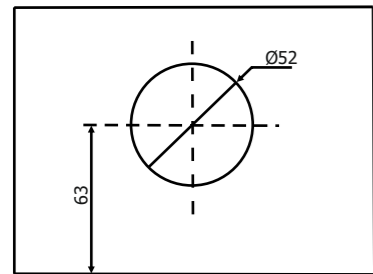


Glass Openable Door Lock

EPF - 741

Glass Door Lock With Bolt Latch

Glass Preparation



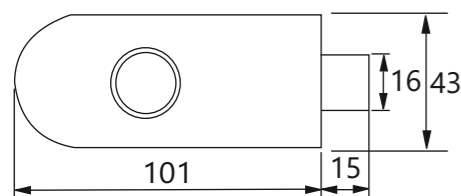
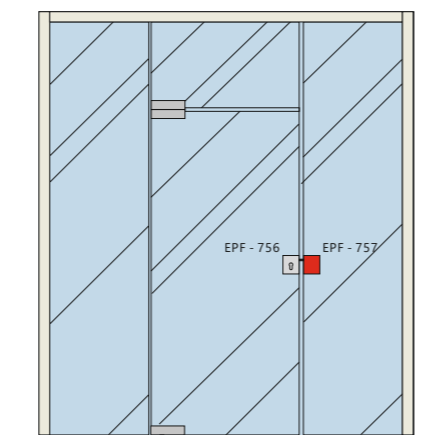
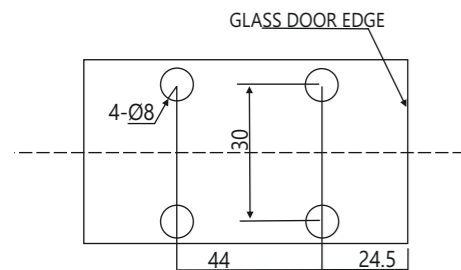
Features :

- Door Thickness : 8mm to 12mm
- Finish of the Cover Plate :
Satin Stainless Steel (SSS)

EPF - 742

Turn Knob Lock

Glass Preparation



Features :

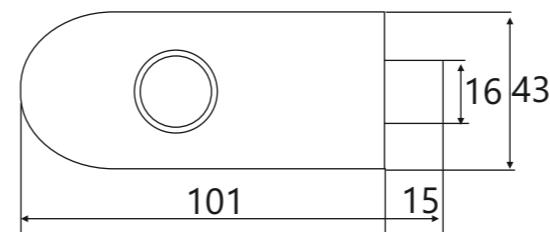
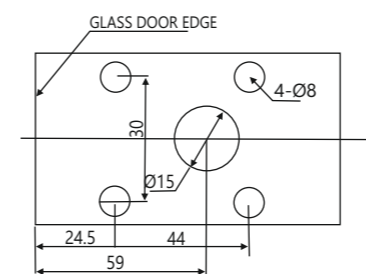
- Door Thickness : 8mm to 12mm
- Material : White Metal (Zinc Alloy)
- Finish : Satin Stainless Steel (SSS)

Glass Openable Door Lock

EPF - 743

Turn Knob Lock With Indicator

Glass Preparation



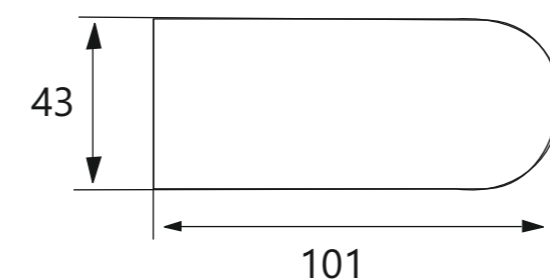
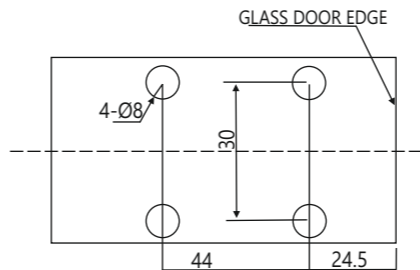
Features :

- Door Thickness : 8mm to 12mm
- Material : White Metal (Zinc Alloy)
- Finish : Satin Stainless Steel (SSS)

EPF - 744

Stike Box For EPF-742, EPF-743

Glass Preparation



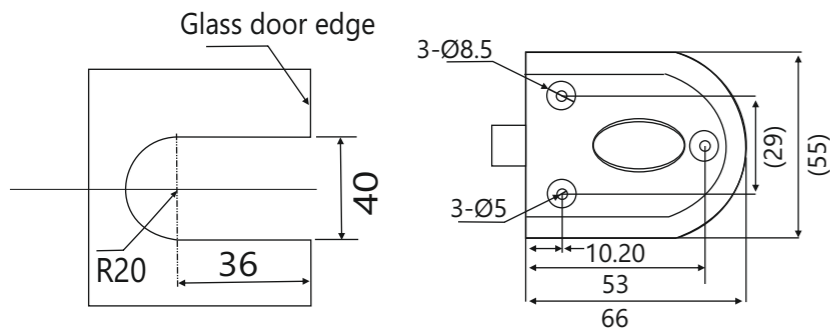
Features :

- Door Thickness : 8mm to 12mm
- Material : White Metal (Zinc Alloy)
- Finish : Satin Stainless Steel (SSS)

Glass Openable Door Lock

EPF - 745 Turn Knob Lock (Round)

Glass Preparation

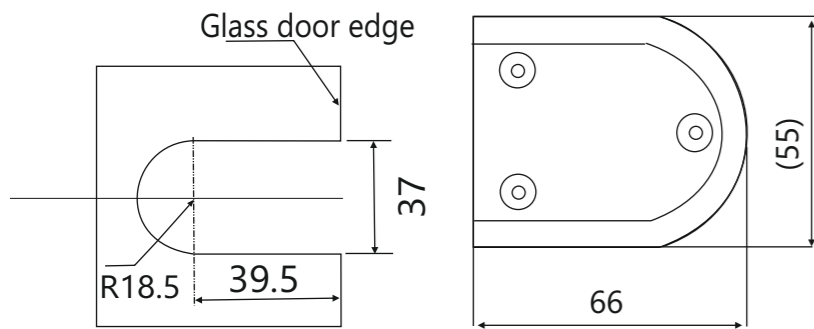


Features :

- Door Thickness : 8mm to 12mm
- Material : White Metal (Zinc Alloy)
- Finish : Brushed Nickel (BN)

EPF - 746 Strike Box For Epf-745 (Round)

Glass Preparation



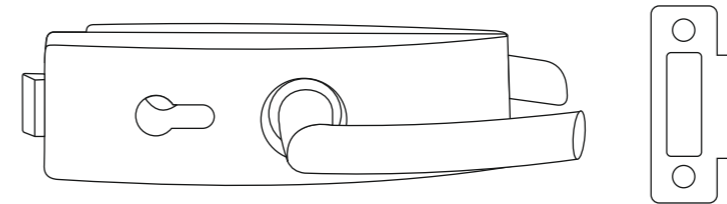
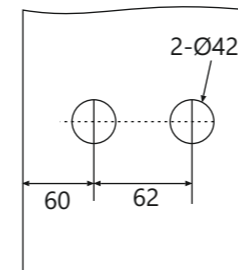
Features :

- Door Thickness : 8mm to 12mm
- Material : White Metal (Zinc Alloy)
- Finish : Brushed Nickel (BN)

Glass Openable Door Lock

EPF - 749 Glass Door Lock with Mortise Lock & Handle

Glass Preparation

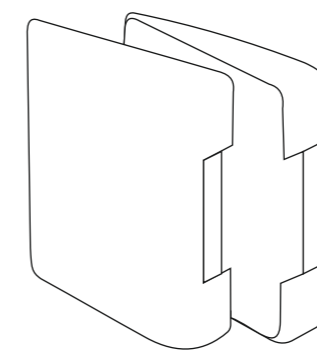
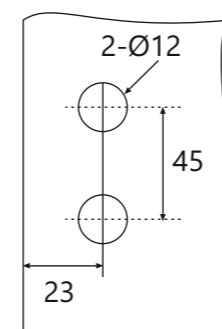


Features :

- For Openable Door
- Door Thickness : 10mm
- Material : White Metal (Zinc Alloy)
- Finish : Cover Plat Satin Stainless steel(SSS)

EPF - 750 Strike Box For EPF - 749

Glass Preparation



Features :

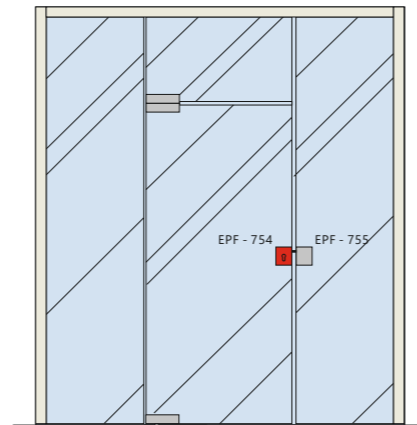
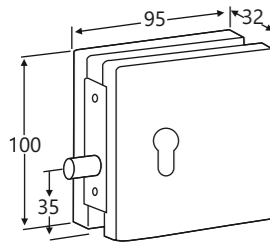
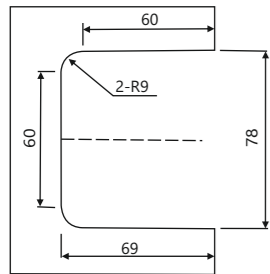
- For Openable Door
- Door Thickness : 10mm
- Material : White Metal (Zinc Alloy)
- Finish : Cover Plat Satin Stainless steel(SSS)

Glass Openable Door Lock

EPF - 754

Glass Door Lock (Square) With Bolt Latch

Glass Preparation



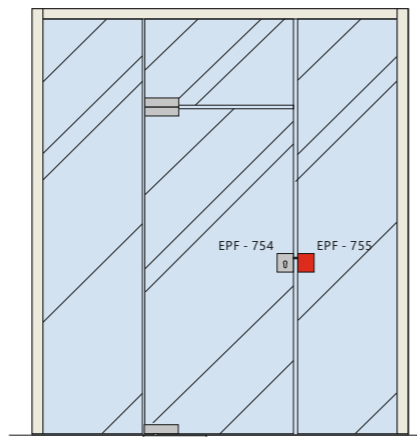
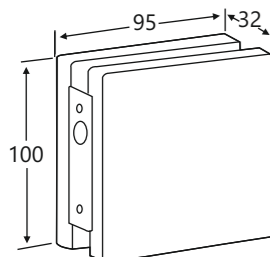
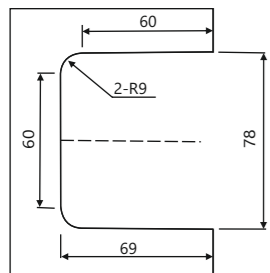
Features :

- Door Thickness : 8mm to 12mm
- Finish of the Cover Plate :
Satin Stainless Steel (SSS)

EPF - 755

Strike Box For Epf-754 (Square)

Glass Preparation



Features :

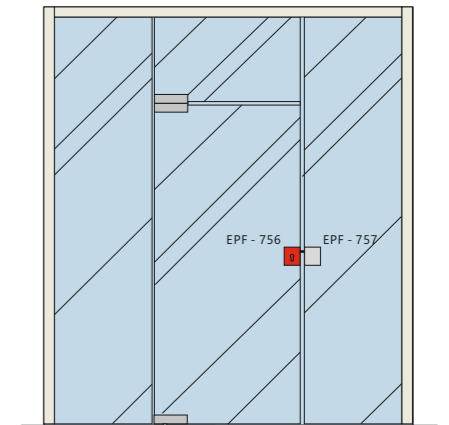
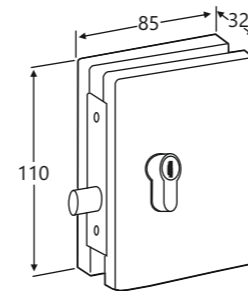
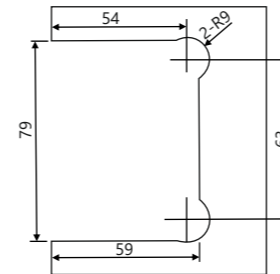
- Door Thickness : 8mm to 12mm
- Finish of the Cover Plate :
Satin Stainless Steel (SSS)

Glass Openable Door Lock

EPF - 756

Glass Door Lock (Rectangle) With Bolt Latch

Glass Preparation



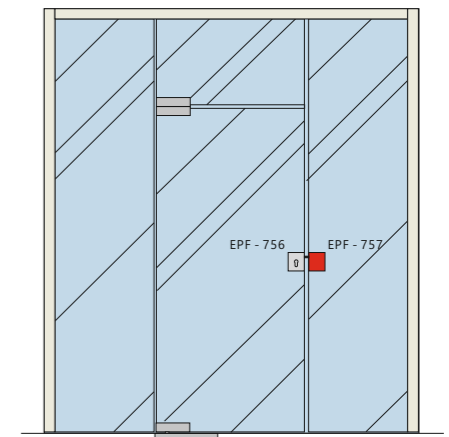
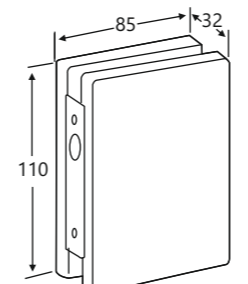
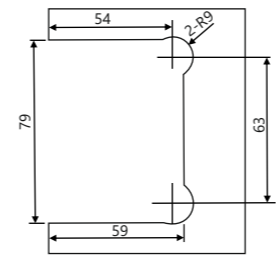
Features :

- Door Thickness : 8mm to 12mm
- Finish of the Cover Plate :
Satin Stainless Steel (SSS)

EPF - 757

Strike Box For Epf-756 (Rectangle)

Glass Preparation



Features :

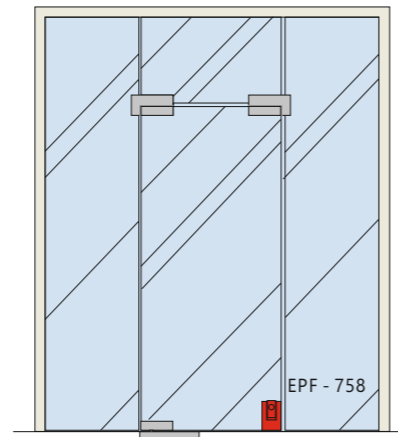
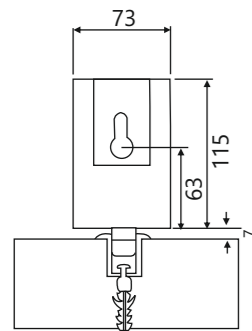
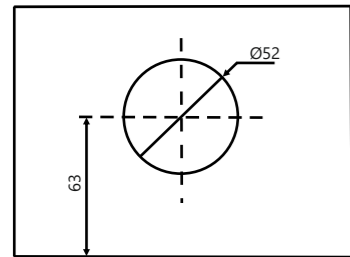
- Door Thickness : 8mm to 12mm
- Finish of the Cover Plate :
Satin Stainless Steel (SSS)

Glass Openable Door Lock

EPF - 758

Glass Door Lock With Bolt Latch

Glass Preparation



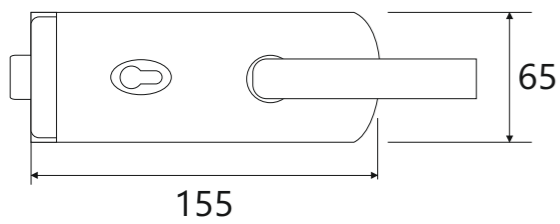
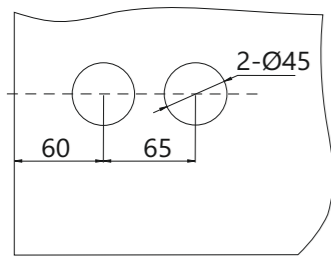
Features :

- Door Thickness : 8mm to 12mm
- Finish of the Cover Plate :
Satin Stainless Steel (SSS)

EPF - 766

Glass Door Lock With Mortise Lock & Handle

Glass Preparation



Features :

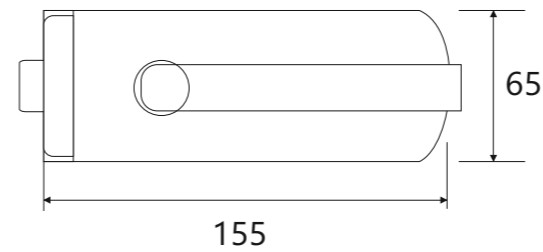
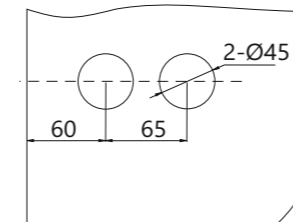
- Door Thickness : 10mm to 12mm
- Material : Stainless Steel
- Finish : Satin Stainless Steel (SSS)

Glass Openable Door Lock

EPF - 785

Glass Door Mortise Latch With Handle

Glass Preparation



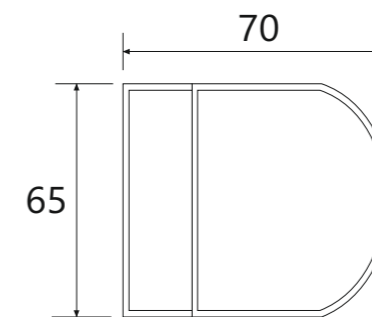
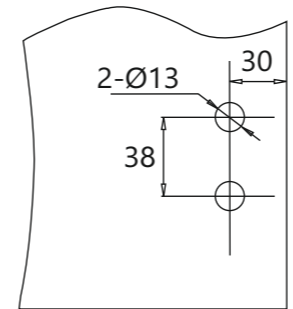
Features :

- Door Thickness : 10mm to 12mm
- Material : Stainless Steel
- Finish : Satin Stainless Steel (SSS)

EPF - 767

Strike Box For EPF - 766 & 785

Glass Preparation



Features :

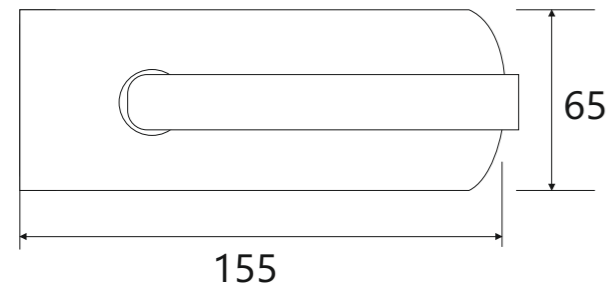
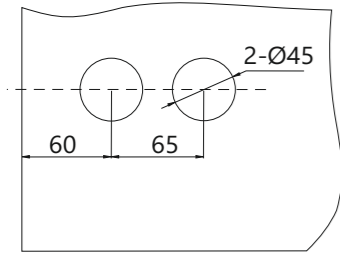
- Door Thickness : 10mm to 12mm
- Material : Stainless Steel
- Finish : Satin Stainless Steel (SSS)

Glass Openable Door Lock

EPF - 768

Strike Box For EPF-766 & 785 With Handle

Glass Preparation



Features :

- Door Thickness : 10mm to 12mm
- Material : Stainless Steel
- Finish : Satin Stainless Steel (SSS)

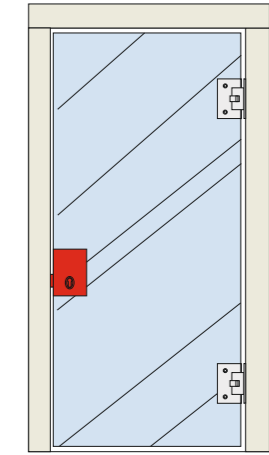
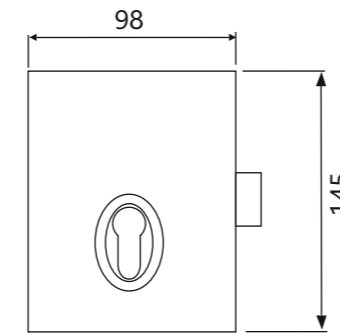
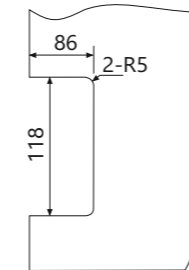


Glass Openable Door Lock

EPF - 775

Glass Door Lock

Glass Preparation



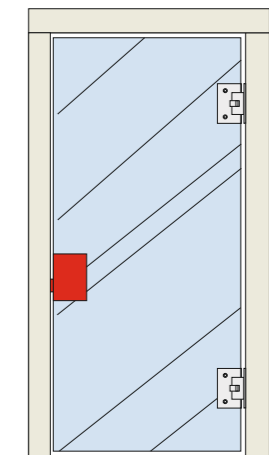
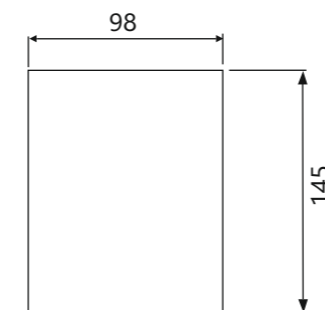
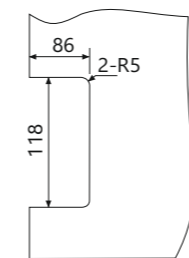
Features :

- Material : White Metal (Zinc Alloy)
- Door Thickness : 10mm to 12mm
- Finish of the Cover Plate :
Satin Stainless Steel(SSS)

EPF - 776

Glass Door Lock

Glass Preparation



Features :

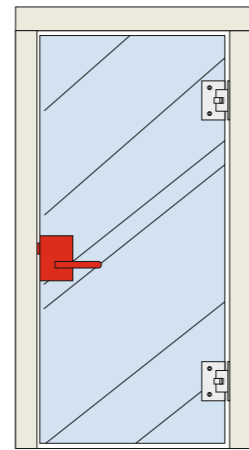
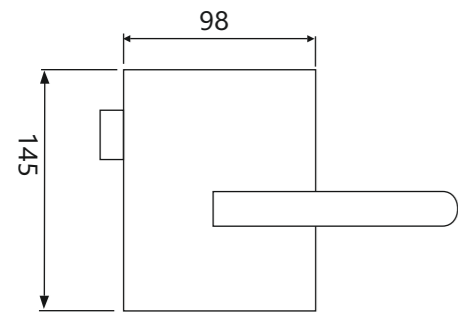
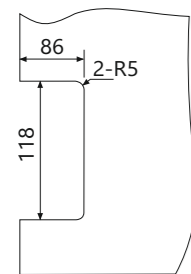
- Material : White Metal (Zinc Alloy)
- Door Thickness : 10mm to 12mm
- Finish of the Cover Plate :
Satin Stainless Steel(SSS)

Glass Openable Door Lock

EPF - 777

Glass Door Mortise Latch with Handle

Glass Preparation



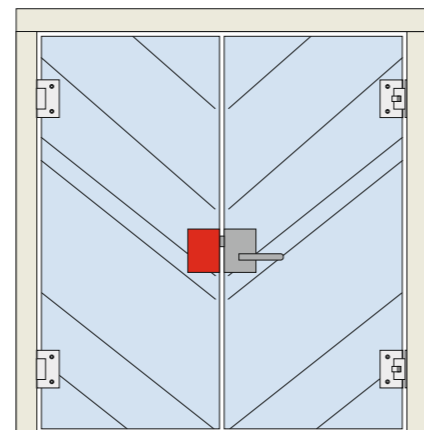
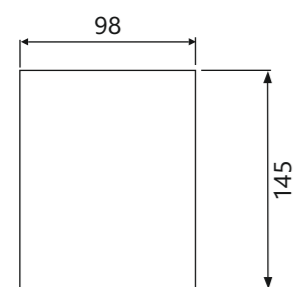
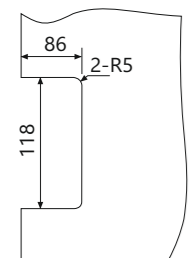
Features :

- Material : White Metal (Zinc Alloy)
- Door Thickness : 10mm to 12mm
- Finish of the Cover Plate :
Satin Stainless Steel(SSS)

EPF - 778

Strike Box For EPF-777

Glass Preparation



Features :

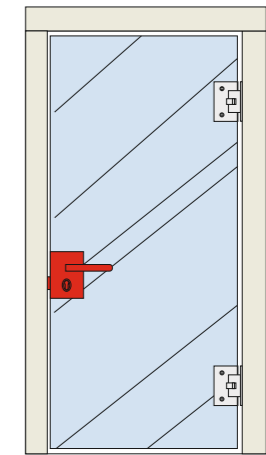
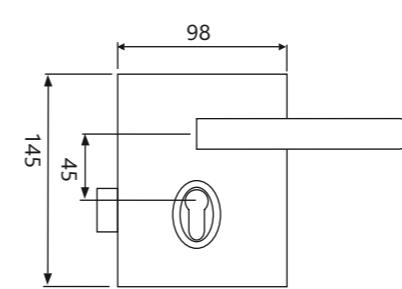
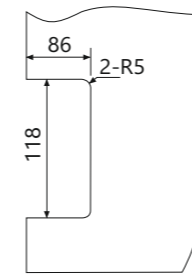
- Material : White Metal (Zinc Alloy)
- Door Thickness : 10mm to 12mm
- Finish of the Cover Plate :
Satin Stainless Steel(SSS)

Glass Openable Door Lock

EPF - 779

Glass Door Lock With Handle

Glass Preparation



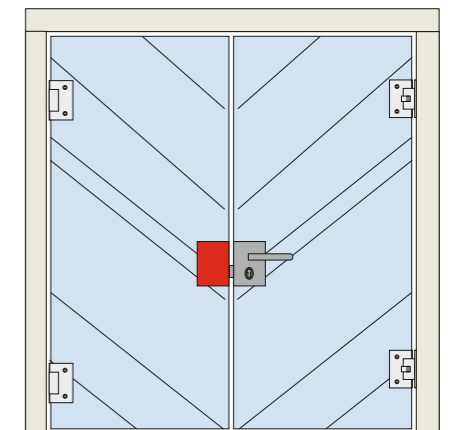
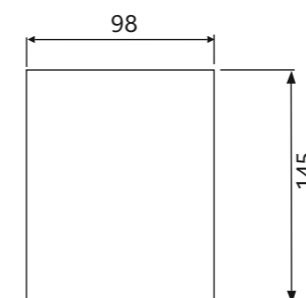
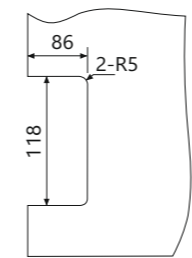
Features :

- Material : White Metal (Zinc Alloy)
- Door Thickness : 10mm to 12mm
- Finish of the Cover Plate :
Satin Stainless Steel(SSS)

EPF - 780

Strike Box For EPF - 779

Glass Preparation



Features :

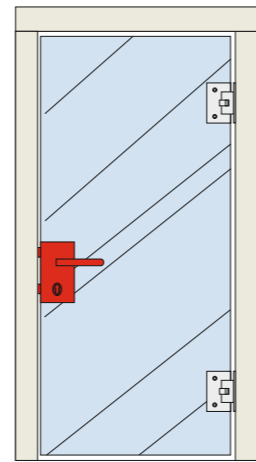
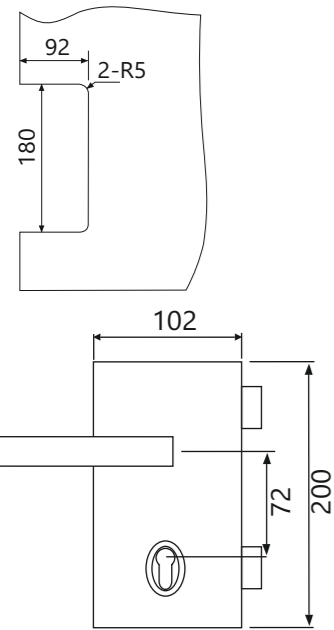
- Material : White Metal (Zinc Alloy)
- Door Thickness : 10mm to 12mm
- Finish of the Cover Plate :
Satin Stainless Steel(SSS)

Glass Openable Door Lock

EPF - 781

Glass Door Lock With Mortise Lock & Handle

Glass Preparation



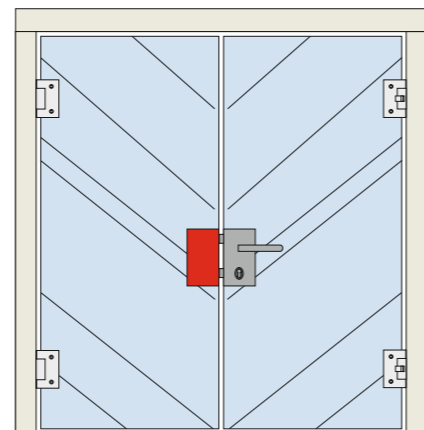
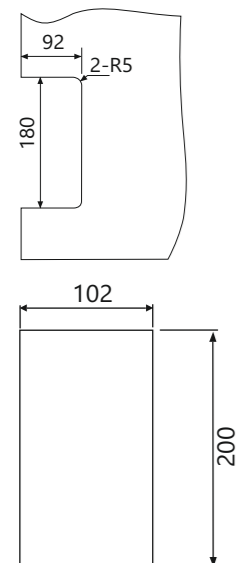
Features :

- Material : White Metal (Zinc Alloy)
- Door Thickness : 10mm to 12mm
- Finish of the Cover Plate :
Satin Stainless Steel(SSS)
Polished Stainless Steel (PSS)

EPF - 782

Strike Box For EPF - 781

Glass Preparation



Features :

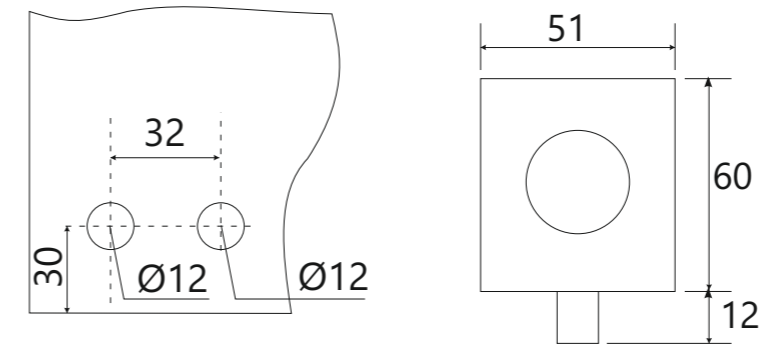
- Material : White Metal (Zinc Alloy)
- Door Thickness : 10mm to 12mm
- Finish of the Cover Plate :
Satin Stainless Steel(SSS)
Polished Stainless Steel (PSS)

Glass Openable Door Lock

EPF - 783

Turn Knob Lock

Glass Preparation



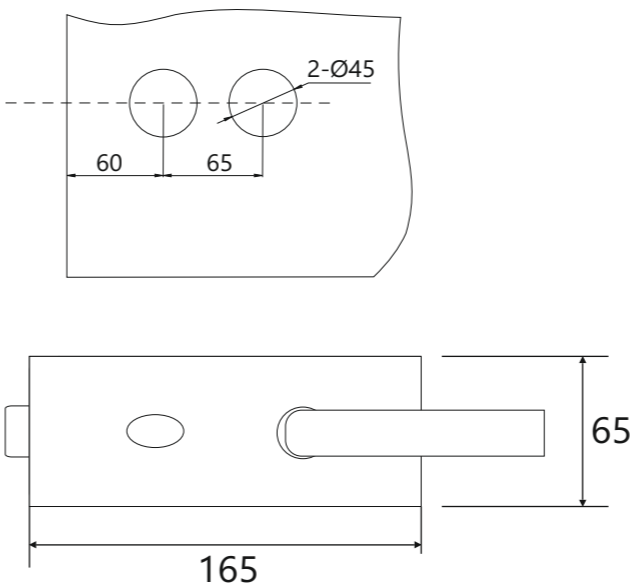
Features :

- Door Thickness : 8mm to 12mm
- Material : Stainless Steel
- Finish : Satin Stainless Steel (SSS)

EPF - 786

Glass Door Lock With Mortise Lock & Handle

Glass Preparation



Features :

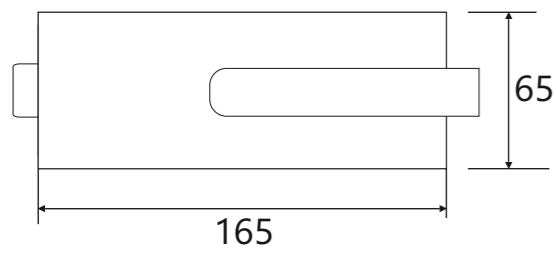
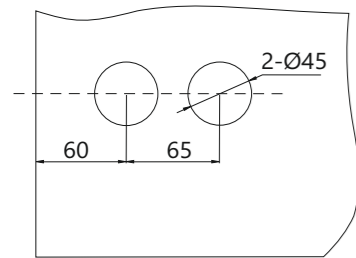
- Door Thickness : 10mm to 12mm
- Material : Stainless Steel
- Finish : Satin Stainless Steel (SSS)

Glass Openable Door Lock

EPF - 788

Glass Door Mortise Latch With Handle

Glass Preparation



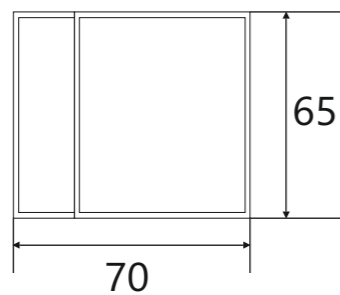
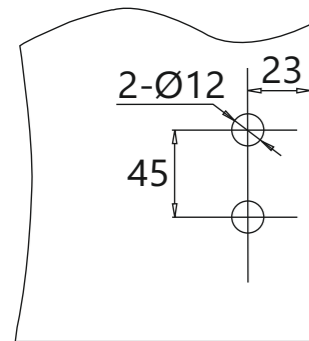
Features :

- Door Thickness : 10mm to 12mm
- Material : Stainless Steel
- Finish : Satin Stainless Steel (SSS)

EPF - 787

Strike Box For EPF-786 & 788

Glass Preparation



Features :

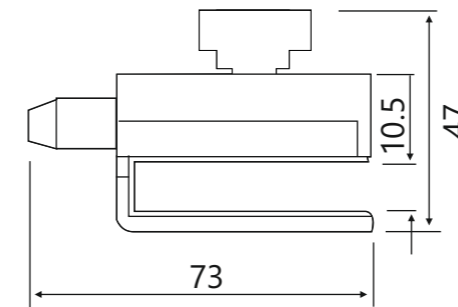
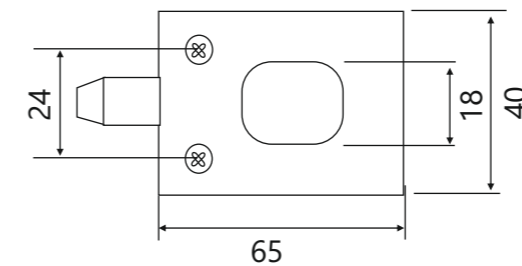
- Door Thickness : 10mm to 12mm
- Material : Stainless Steel
- Finish : Satin Stainless Steel (SSS)

Glass Openable Door Lock Without Cutout

EPF - 747

Turn Knob Lock (Square)
(without Cutout In Glass)

Glass Preparation



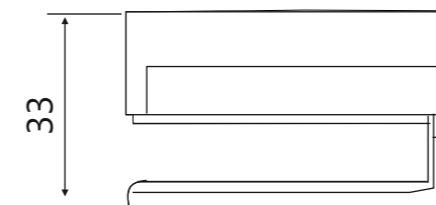
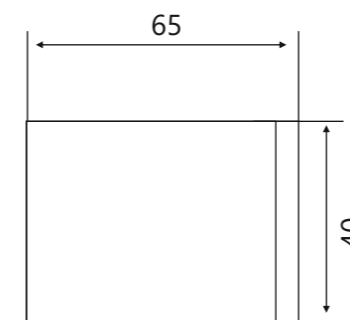
Features :

- Door Thickness : 8mm to 12mm
- Material : White Metal (Zinc Alloy)
- Finish : Brushed Nickel (BN)

EPF - 748

Strike Box For EPF-747 (Square)
(without Cutout In Glass)

Glass Preparation



Features :

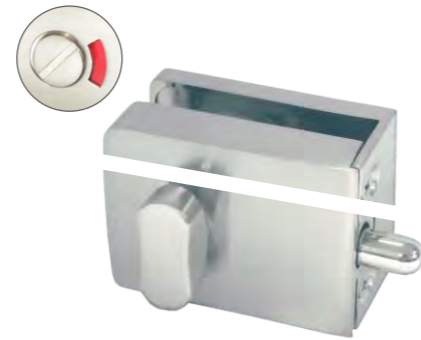
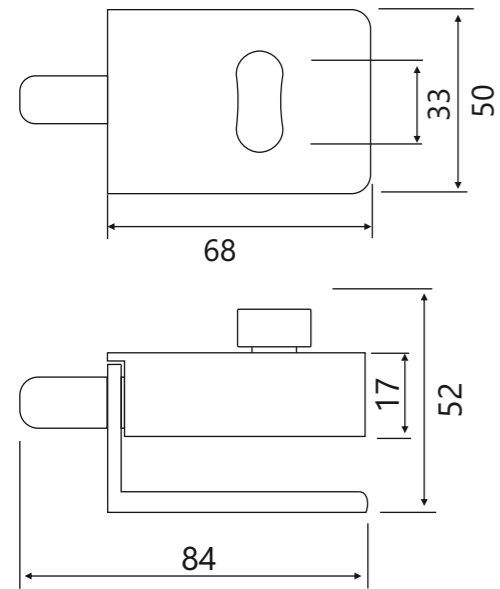
- Door Thickness : 8mm to 12mm
- Material : White Metal (Zinc Alloy)
- Finish : Brushed Nickel (BN)

Glass Openable Door Lock Without Cutout

EPF - 807

Turn Knob Lock with indicator & magnet (Square) (without Cutout In Glass)

Glass Preparation



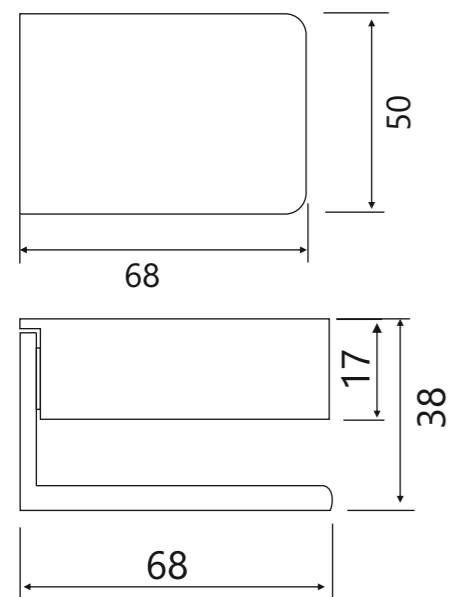
Features :

- Door Thickness : 8mm to 12mm
- Material : White Metal (Zinc Alloy)
- Finish : Brushed Nickel (BN)

EPF - 808

Stike Box For EPF-807 (Square) (without Cutout In Glass)

Glass Preparation



Features :

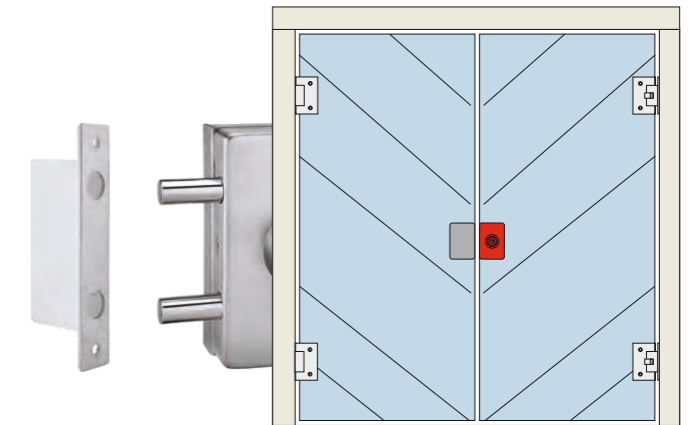
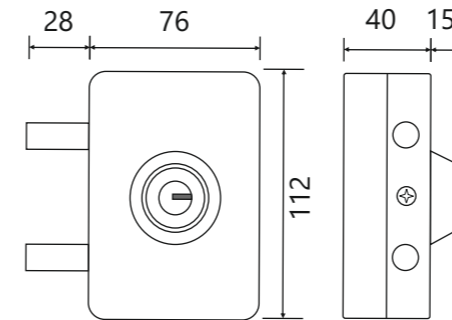
- Door Thickness : 8mm to 12mm
- Material : White Metal (Zinc Alloy)
- Finish : Brushed Nickel (BN)

Glass Openable Door Lock Without Cutout

EPF - 801

Openable Glass Door Lock Without Cutout - One Side Operation (Key)

Glass Preparation



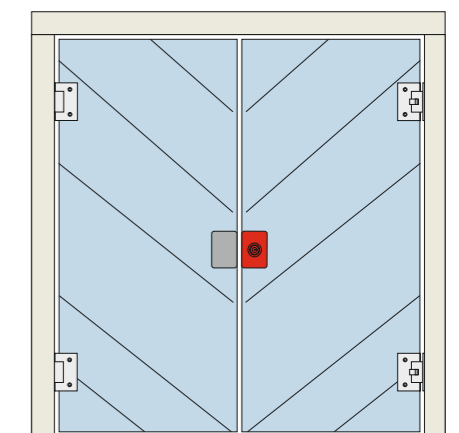
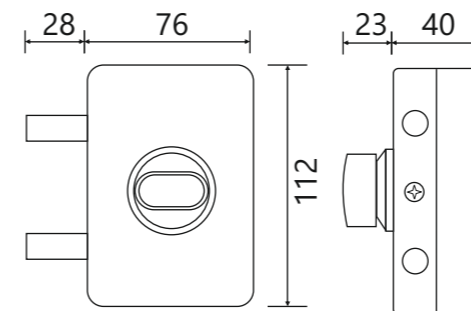
Features :

- For 10 to 12mm glass
- Direct installation without glass cutout
- One side operate lock by key
- 304 stainless steel cover
brass lock cylinder, brass ultra keys

EPF - 805

Openable Glass Door Lock Without Cutout - One Side Operation (Knob)

Glass Preparation



Features :

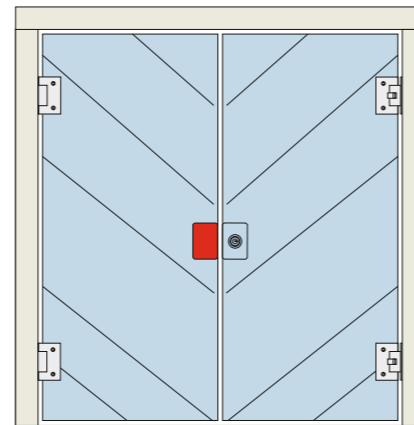
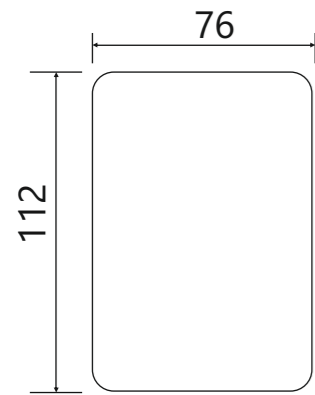
- For 10 to 12mm glass
- Direct installation without glass cutout
- One side operate lock with knob
- 304 Stainless steel cover
brass lock cylinder

Glass Openable Door Lock Without Cutout

EPF - 802

Strike Box For EPF - 801/805 Without Cutout

Glass Preparation



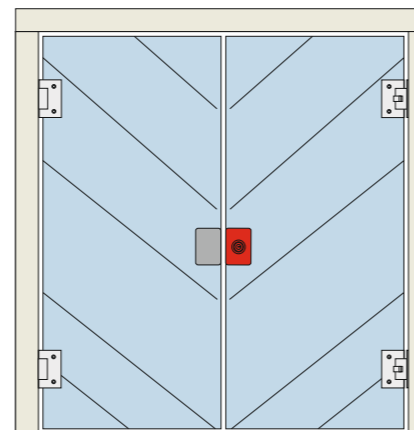
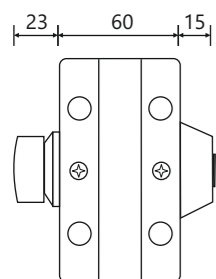
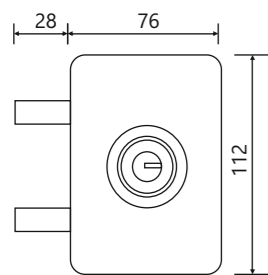
Features :

- For 10 to 12mm glass
- Direct installation without glass cutout
- 304 stainless steel cover

EPF - 803

Openable Glass Door Lock Without Cutout - Both Side Operation (Knob & Key)

Glass Preparation



Features :

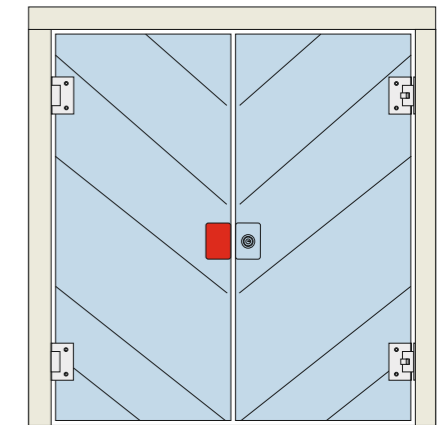
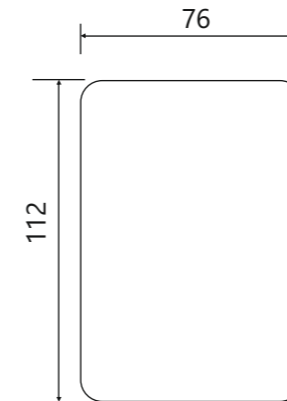
- For 12mm glass
- Direct installation without glass cutout
- Both side operate lock one side keys and one side knob
- 304 Stainless Steel cover
brass lock cylinder, brass keys

Glass Openable Door Lock Without Cutout

EPF - 804

Strike Box for EPF - 803 Without Cutout

Glass Preparation



Features :

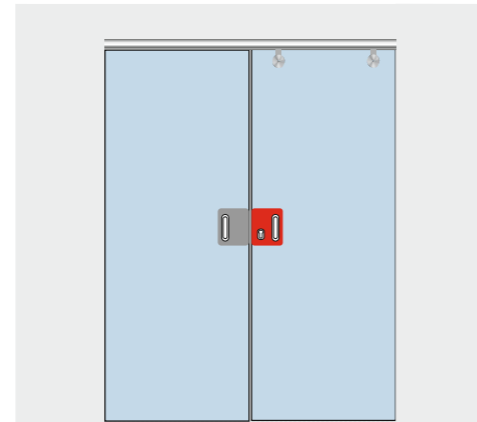
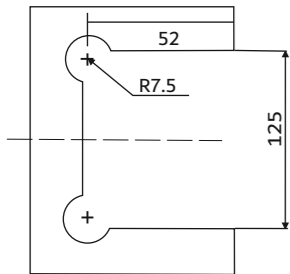
- For 12mm glass
- Direct installation without glass cutout
- 304 Stainless Steel cover

Glass Sliding Door Lock

EPF - 764

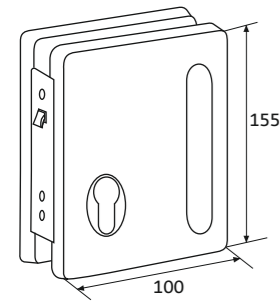
Glass Sliding Door Lock with Handle

Glass Preparation



Features :

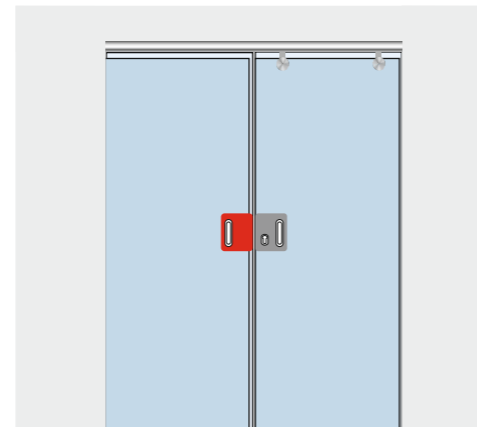
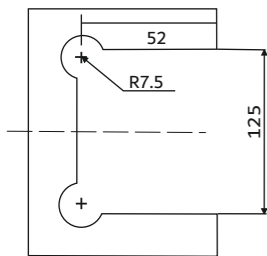
- Material : Stainless steel.
- Door thickness : 10mm to 12mm.
- Finish : Satin stainless steel.



EPF - 765

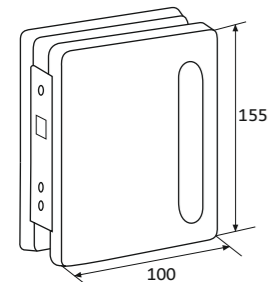
Strike Box for EPF - 764

Glass Preparation



Features :

- Material : Stainless steel.
- Door thickness : 10mm to 12mm.
- Finish : Satin stainless steel.

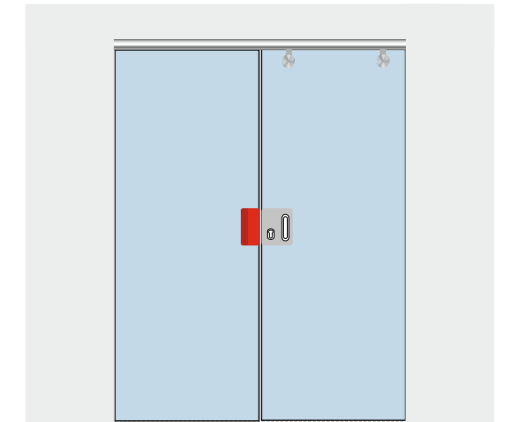
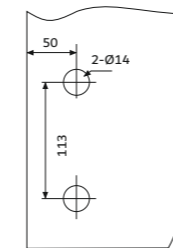


Glass Sliding Door Lock

EPF - 784

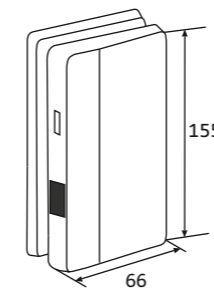
Strike Box For EPF - 764 for Overlay Door

Glass Preparation



Features :

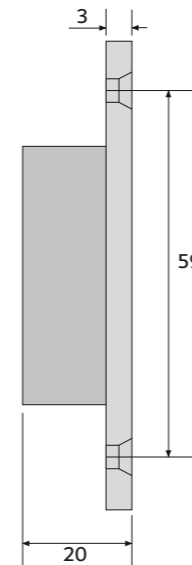
- Material : Stainless steel.
- Door thickness : 10mm to 12mm.
- Finish : Satin stainless steel.



EPF - 764 A

Strike Box For EPF - 764 for Wooden & Concrete Wall

Glass Preparation



Features :

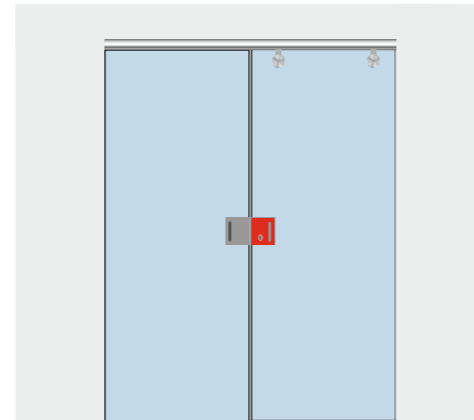
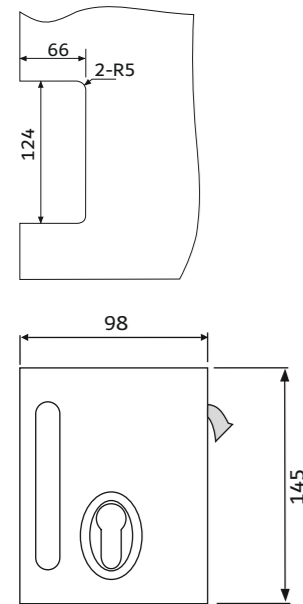
- Material : Stainless steel.
- Finish : Satin stainless steel.

Glass Sliding Door Lock

EPF - 771

Glass Sliding Door Lock with Handle

Glass Preparation



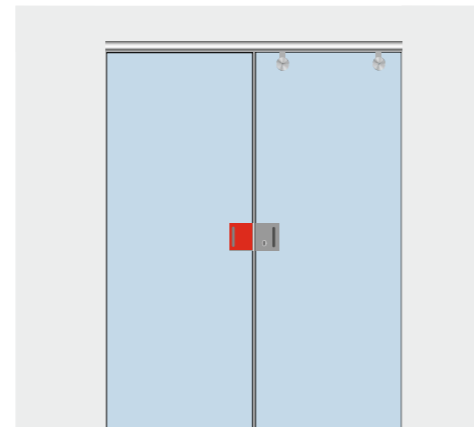
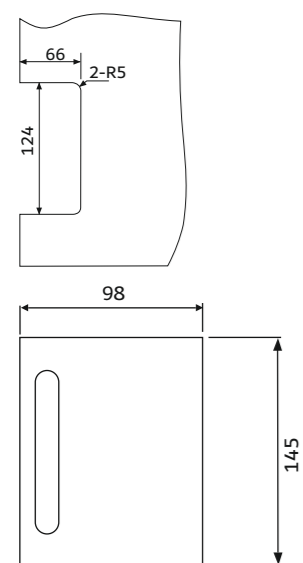
Features :

- Material : White metal (zinc alloy).
- Door thickness : 10mm to 12mm.
- Finish of cover plate :
Satin stainless steel.

EPF - 772

Strike Box for EPF - 771

Glass Preparation



Features :

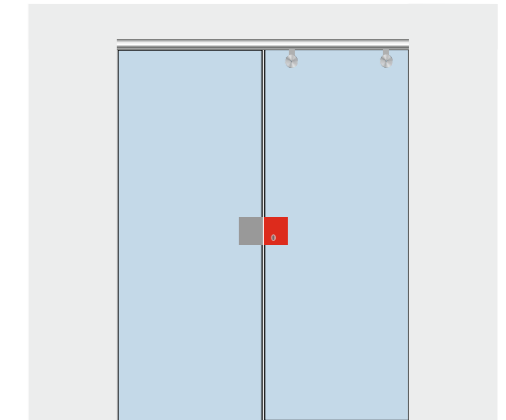
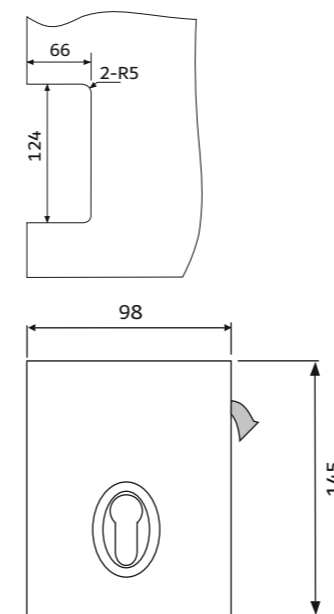
- Material : White metal (zinc alloy).
- Door thickness : 10mm to 12mm.
- Finish of cover plate :
Satin stainless steel.

Glass Sliding Door Lock

EPF - 773

Glass Sliding Door Lock with Handle

Glass Preparation



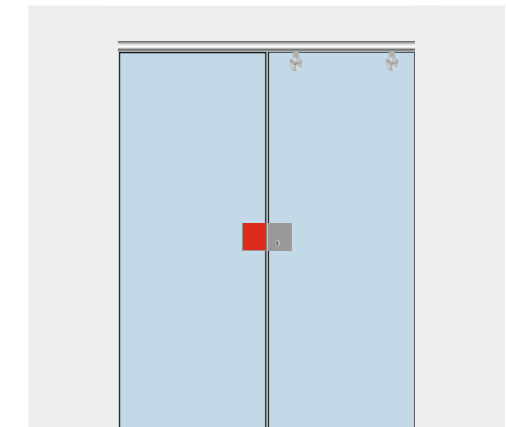
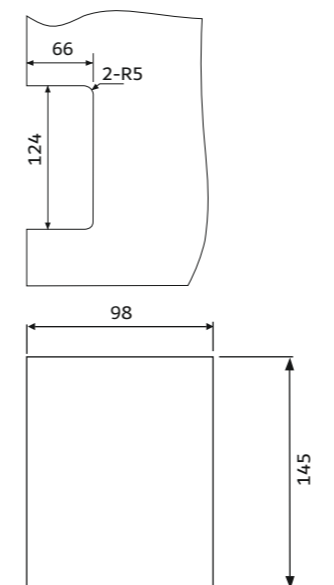
Features :

- Material : White metal (zinc alloy).
- Door thickness : 10mm to 12mm.
- Finish of cover plate :
Satin stainless steel.

EPF - 774

Strike Box for EPF - 773

Glass Preparation



Features :

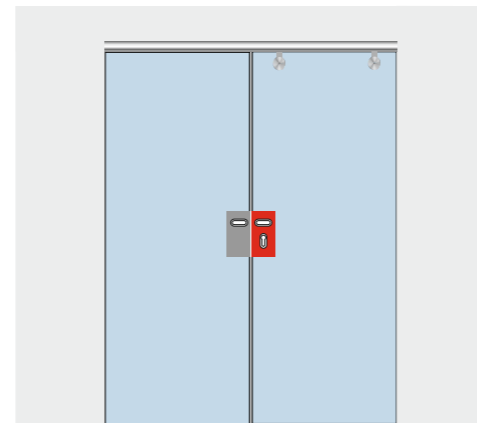
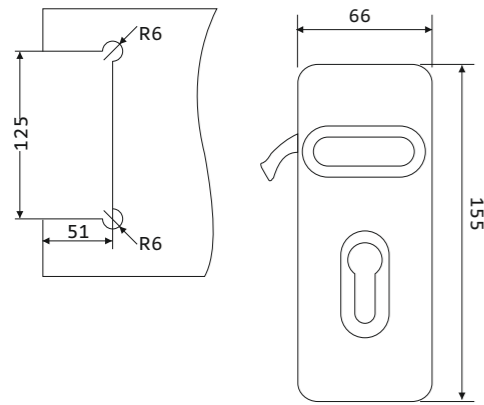
- Material : White metal (zinc alloy).
- Door thickness : 10mm to 12mm.
- Finish of cover plate :
Satin stainless steel.

Glass Sliding Door Lock

EPF - 792

Glass Sliding Door Lock with Handle (Finger Pull)

Glass Preparation



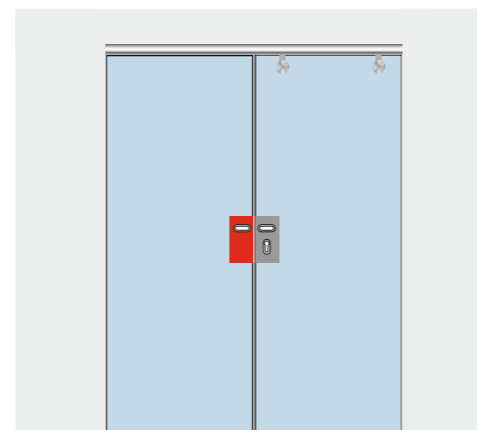
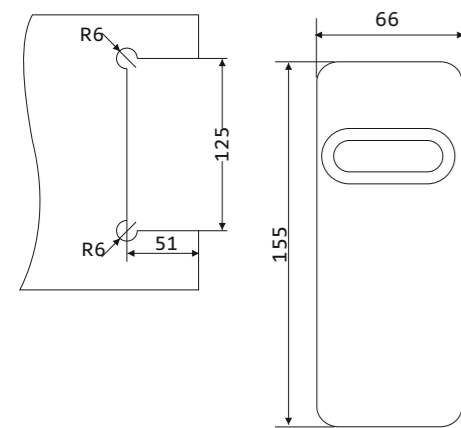
Features :

- For 10mm to 12mm glass.
- Material : Stainless steel.
- Finish : Satin stainless steel.

EPF - 791

Strike Box for EPF - 792 with Handle (Finger Pull)

Glass Preparation



Features :

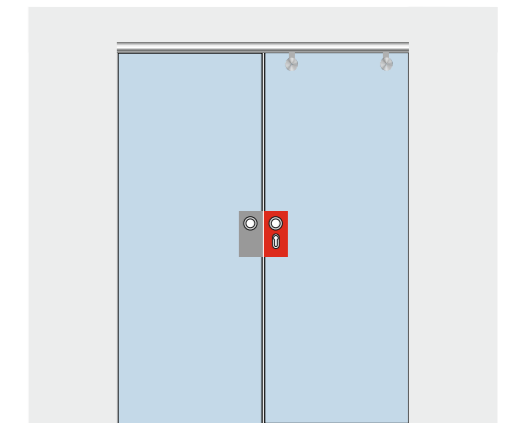
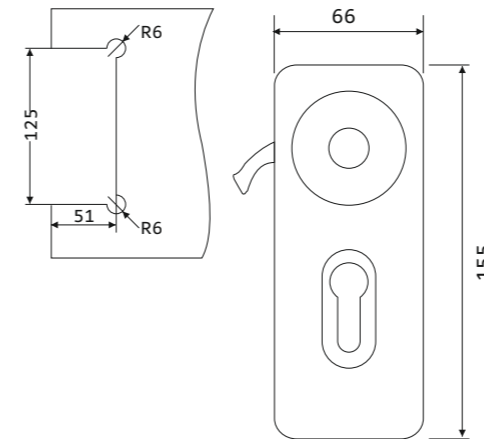
- For 10mm to 12mm glass.
- Material : Stainless steel.
- Finish : Satin stainless steel.

Glass Sliding Door Lock

EPF - 794

Glass Sliding Door Lock with Knob

Glass Preparation



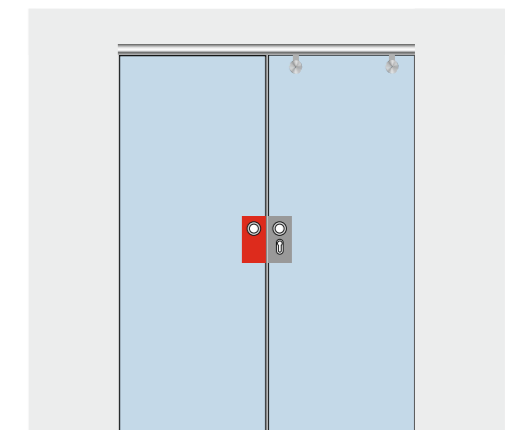
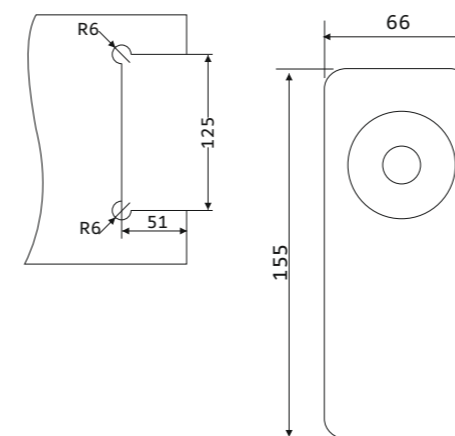
Features :

- For 10mm to 12mm glass.
- Material : Stainless steel.
- Finish : Satin stainless steel.

EPF - 793

Strike Box for EPF - 794 with Knob

Glass Preparation



Features :

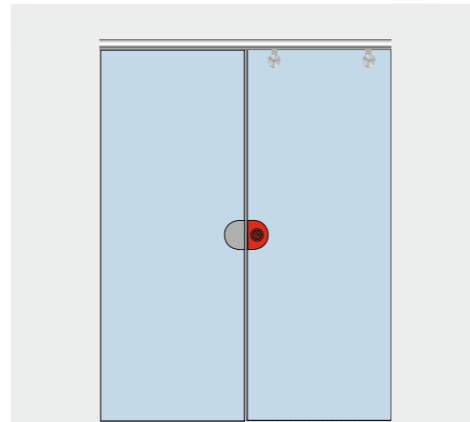
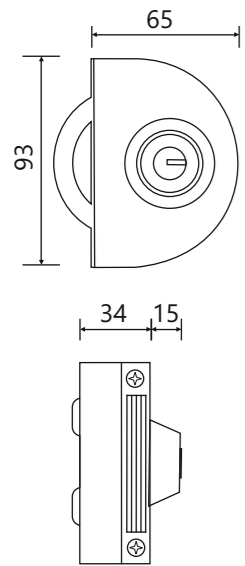
- For 10mm to 12mm glass.
- Material : Stainless steel.
- Finish : Satin stainless steel.

Glass Sliding Door Lock Without Cutout

EPF - 799

Glass Sliding Door Lock without Cutout - One Side Operation (Semi - Circle)

Glass Preparation



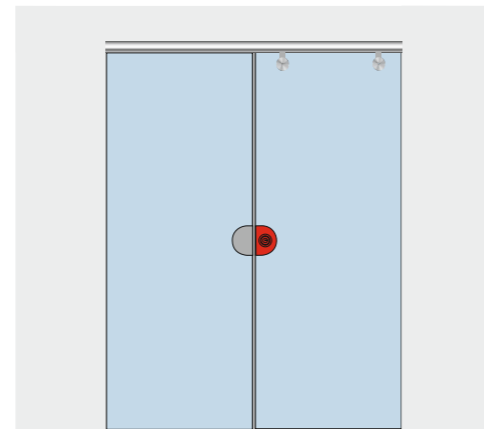
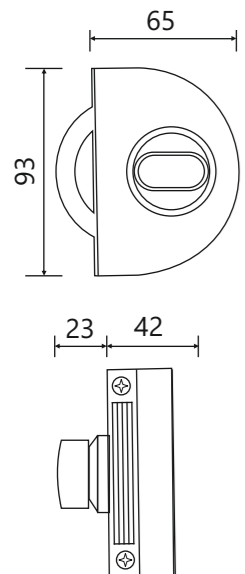
Features :

- For 10 to 12mm glass.
- Direct installation without glass cutout.
- One side operate lock by key.
- 304 Stainless Steel covers brass lock cylinder, brass keys.

EPF - 806

Glass Sliding Door Lock without Cutout - One Side Knob

Glass Preparation



Features :

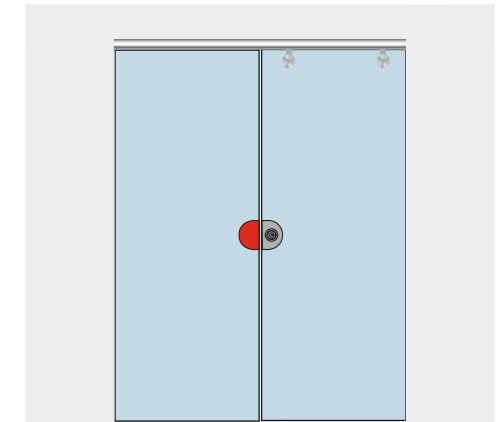
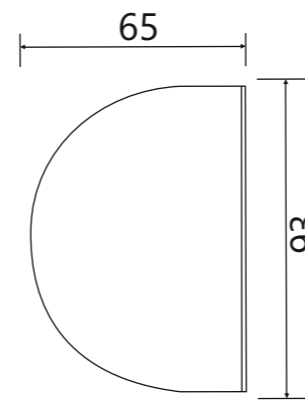
- For 10 to 12mm glass.
- Direct installation without glass cutout.
- One side operate lock with knob.
- 304 Stainless Steel covers brass lock cylinder.

Glass Sliding Door Lock Without Cutout

EPF - 798

Strike Box For EPF - 799 / 806 without Cutout

Glass Preparation



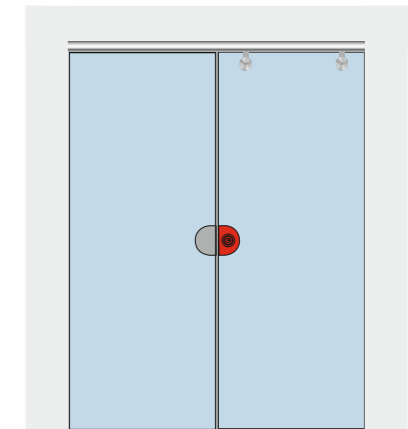
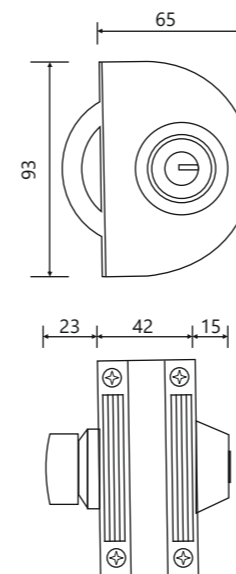
Features :

- For 10 to 12mm glass.
- Direct installation without glass cutout.
- 304 stainless Steel covers.

EPF - 797

Glass Sliding Door Lock without Cutout - Both Side Operation

Glass Preparation



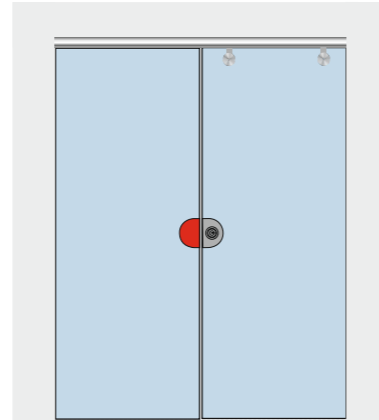
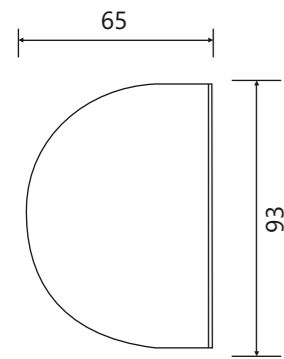
Features :

- For 12mm glass.
- Direct installation without glass cutout.
- Both side operate lock one side keys and one side knob.
- 304 Stainless Steel cover brass lock cylinder, brass keys.

Glass Sliding Door Lock Without Cutout

EPF - 800 Strike Box For EPF - 797 without Cutout

Glass Preparation



Features :

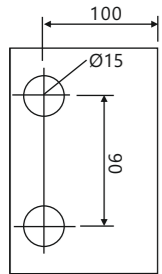
- For 12mm glass.
- Direct installation without glass cutout.
- 304 Stainless Steel cover.



Glass Door Handle

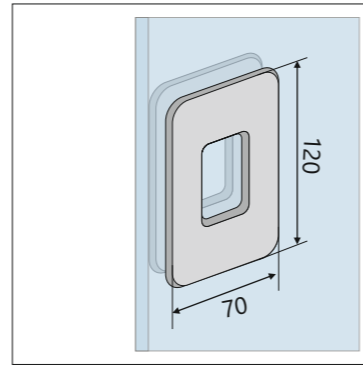
EHSL - 001 Sliding Door Handle

Glass Preparation



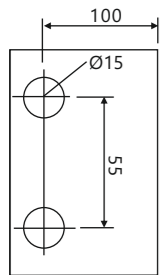
Features:

- For 10 / 12 mm glass.
- Material : Stainless Steel.
- Finish : Satin Stainless Steel (SSS).
Polished Stainless Steel (PSS).



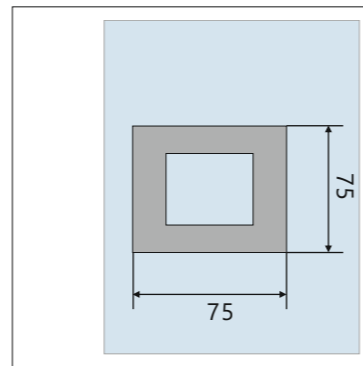
EHSL - 002 Sliding Door Handle

Glass Preparation



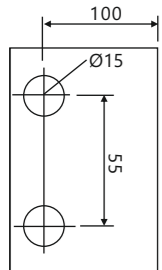
Features :

- For 10mm to 12mm Glass
- Material : Stainless Steel
- Finish : Satin Stainless Steel (SSS)



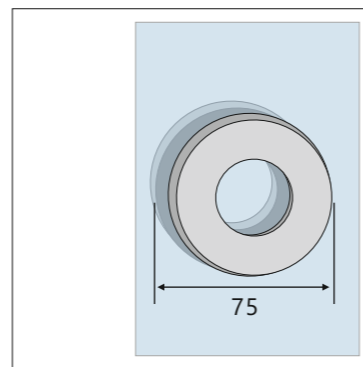
EHSL - 003 Sliding Door Handle

Glass Preparation



Features :

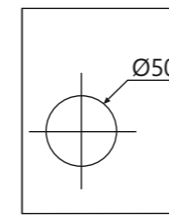
- For 10mm to 12mm Glass
- Material : Stainless Steel
- Finish : Satin Stainless Steel (SSS)



Glass Door Handle

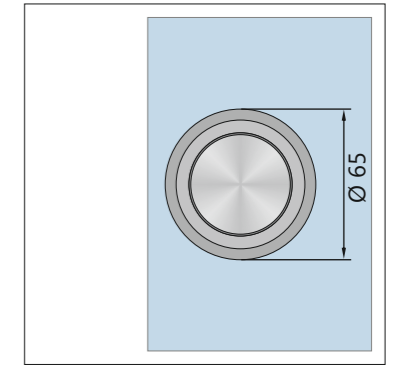
EHSL - 004 Sliding Door Handle

Glass Preparation



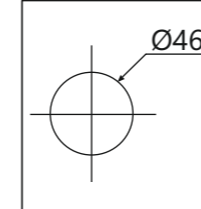
Features:

- For 10 / 12 mm glass.
- Material : Stainless Steel.
- Finish : Satin Stainless Steel (SSS).
Polished Stainless Steel (PSS).



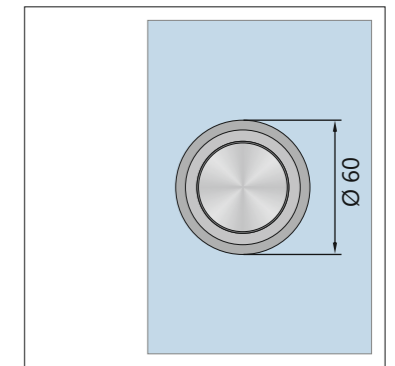
EHSL - 005 Sliding Door Handle

Glass Preparation



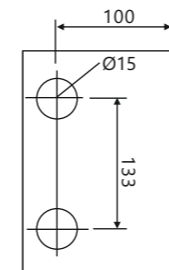
Features :

- For 10mm to 12mm Glass
- Material : Stainless Steel
- Finish : Satin Stainless Steel (SSS)



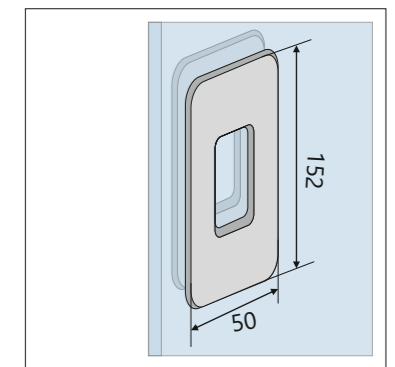
EHSL - 014 Sliding Door Handle

Glass Preparation



Features:

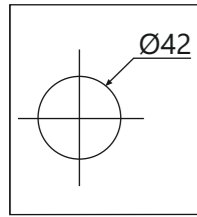
- For 10 / 12 mm glass.
- Material : Stainless Steel.
- Finish : Satin Stainless Steel (SSS).
Polished Stainless Steel (PSS).



Glass Door Handle

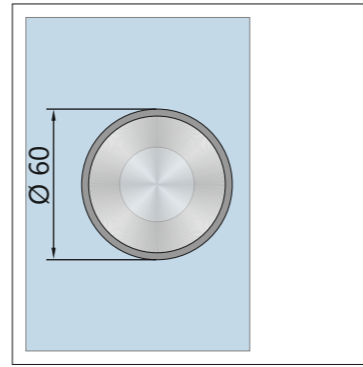
EHSL - 015 Sliding Door Handle

Glass Preparation



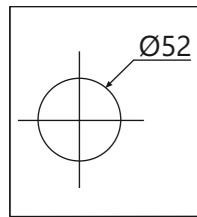
Features :

- For 10mm to 12mm Glass
- Material : Stainless Steel
- Finish : Satin Stainless Steel (SSS)



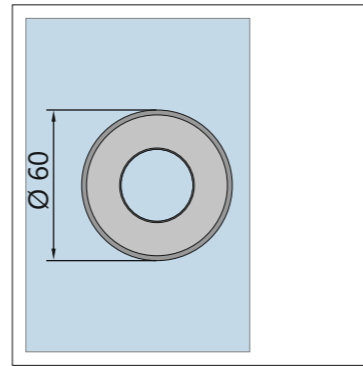
EHSL - 016 Sliding Door Handle

Glass Preparation



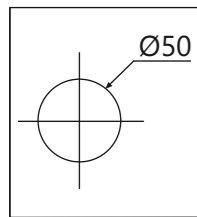
Features :

- For 10mm to 12mm Glass
- Material : Stainless Steel
- Finish : Satin Stainless Steel (SSS)



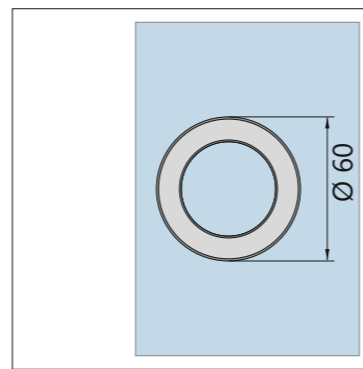
EHSL - 017 Sliding Door Handle

Glass Preparation



Features :

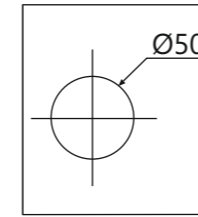
- For 10mm to 12mm Glass
- Material : Stainless Steel
- Finish : Satin Stainless Steel (SSS)



Glass Door Handle

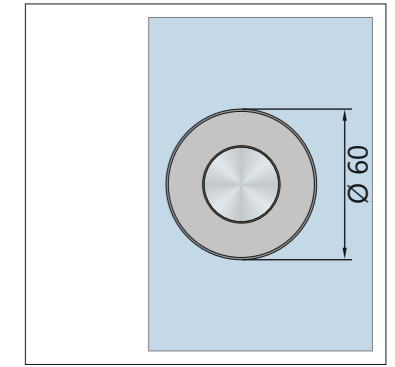
EHSL - 018 Sliding Door Handle

Glass Preparation



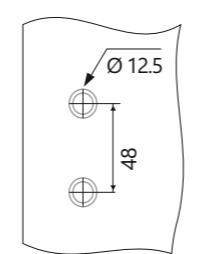
Features :

- For 10mm to 12mm Glass
- Material : Stainless Steel
- Finish : Satin Stainless Steel (SSS)



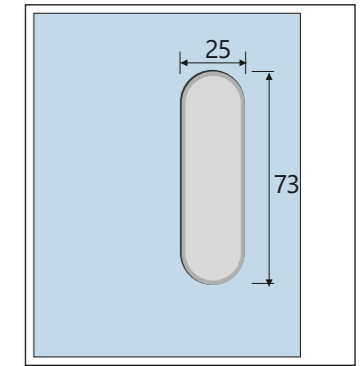
EHSL - 022 Sliding Door Handle (Finger Pull)

Glass Preparation



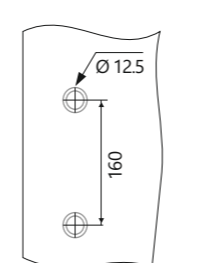
Features :

- For 8mm to 12mm Glass
- Material : Stainless Steel
- Finish : Satin Stainless Steel (SSS)



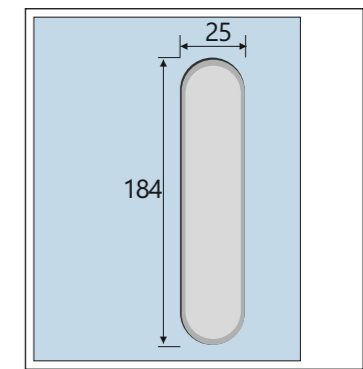
EHSL - 023 Sliding Door Handle (Finger Pull)

Glass Preparation



Features :

- For 8mm to 12mm Glass
- Material : Stainless Steel
- Finish : Satin Stainless Steel (SSS)



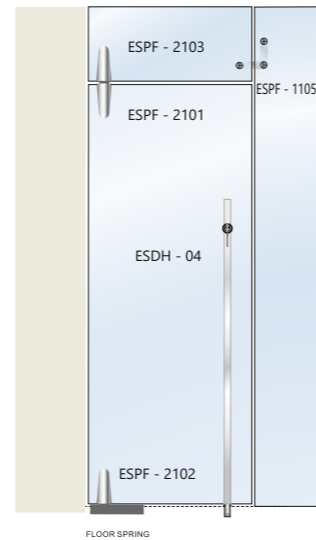
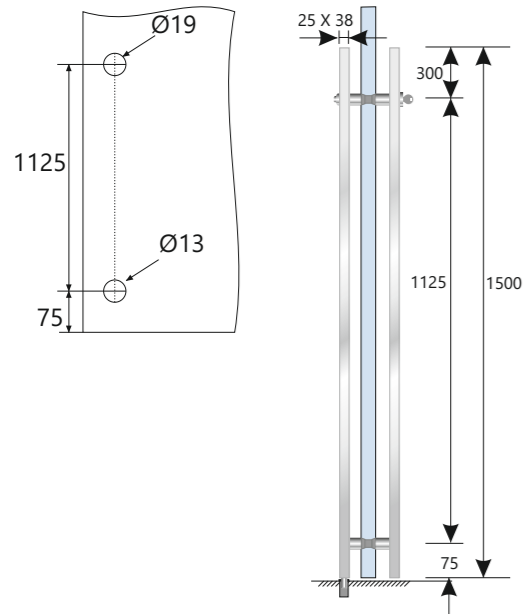


GLASS DOOR HANDLES

Glass Door Handle

ESDH - 004
Glass Door Handle With Lock (Square)

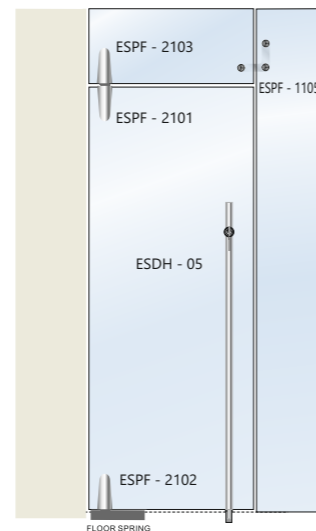
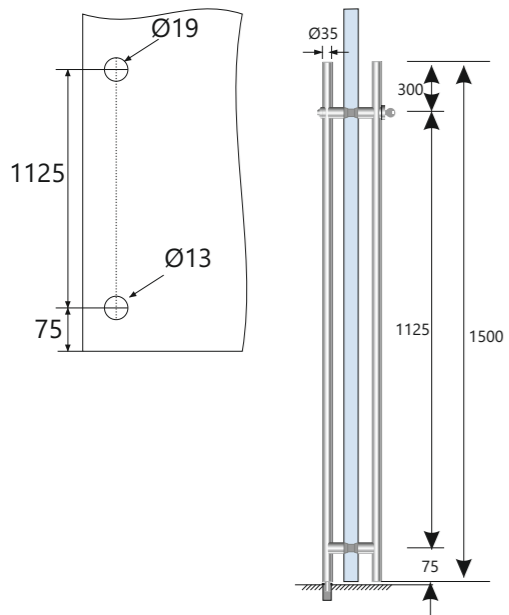
Glass Preparation



- Features :**
- For 10mm to 12mm Glass
 - Material : Stainless Steel
 - Size : 1500mm
 - Finish : Satin Stainless Steel (SSS)
Polished Stainless Steel (PSS)

ESDH - 005
Glass Door Handle With Lock (Round)

Glass Preparation

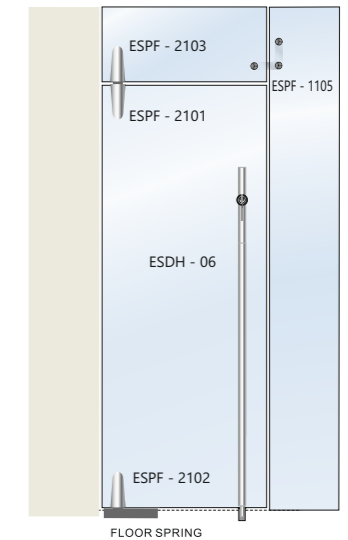
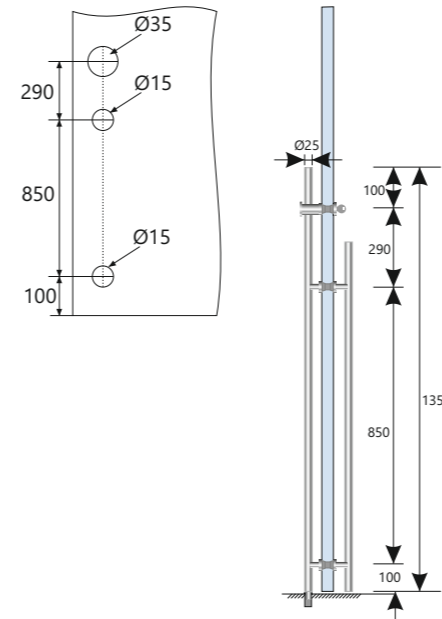


- Features :**
- For 10mm to 12mm Glass
 - Material : Stainless Steel
 - Size : 1500mm
 - Finish : Satin Stainless Steel (SSS)
Polished Stainless Steel (PSS)

Glass Door Handle

ESDH - 006
Glass Door Handle With Lock (Round)

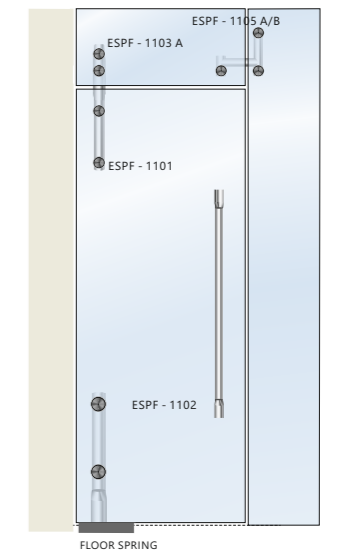
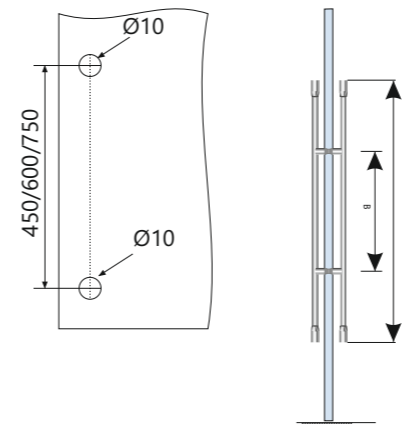
Glass Preparation



- Features :**
- For 10mm to 12mm Glass
 - Material : Stainless Steel
 - Size : 1340mm
 - Finish : Satin Stainless Steel (SSS)
Polished Stainless Steel (PSS)

ESDH - 001/002/003
Glass Door Handle

Glass Preparation



- Features :**
- For 10mm to 12mm Glass
 - Material : Stainless Steel
 - Finish : Satin Stainless Steel (SSS)

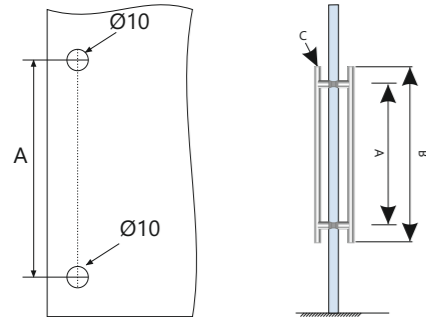
CODE	SIZE A	SIZE B
ESDH-001-SSS	750MM	450mm
ESDH-002-SSS	900mm	600mm
ESDH-003-PSS	1050mm	750mm

★ CUSTOMISED FITTINGS FOR PROJECTS
we are able to organise special purpose fittings for different applications
(This is subject to design, quantity and time limitations.)

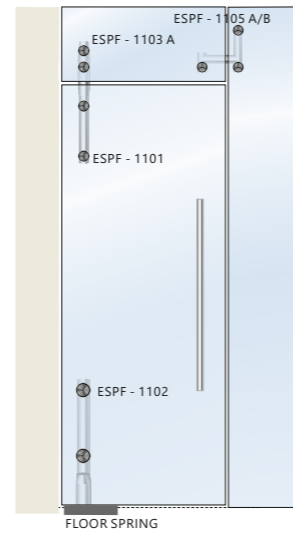
Glass Door Handle

ESDH - 1110/1112/1114/1115/ 1118/1124/1136 Glass Door Handle

Glass Preparation



CODE	SIZE A	SIZE B	Ø C
ESDH-1110	170MM	250mm	25mm
ESDH-1112	220mm	300mm	25mm
ESDH-1114	305mm	457mm	32mm
ESDH-1115	295mm	375mm	25mm
ESDH-1118	370mm	450mm	25mm
ESDH-1124	520mm	600mm	32mm
ESDH-1136	820mm	900mm	32mm



Features :

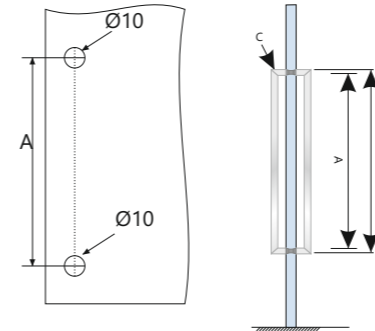
- For 10mm to 12mm Glass
- Material : Stainless Steel
- Finish : Satin Stainless Steel (SSS)

★ CUSTOMISED FITTINGS FOR PROJECTS
we are able to organise special purpose fittings for different applications
(This is subject to design, quantity and time limitations.)

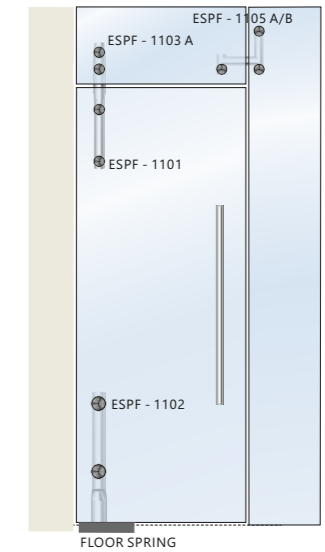
Glass Door Handle

ESDH - 1310/1312/1315/1318/ 1324/1336 Glass Door Handle

Glass Preparation



CODE	SIZE A	SIZE B	SQUARE C
ESDH-1310	250MM	272mm	22mm
ESDH-1312	300mm	322mm	22mm
ESDH-1315	375mm	397mm	22mm
ESDH-1318	450mm	475mm	25mm
ESDH-1324	600mm	625mm	25mm
ESDH-1336	900mm	925mm	25mm

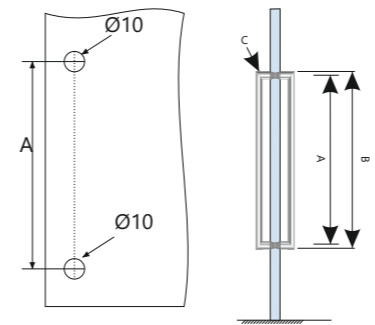


Features :

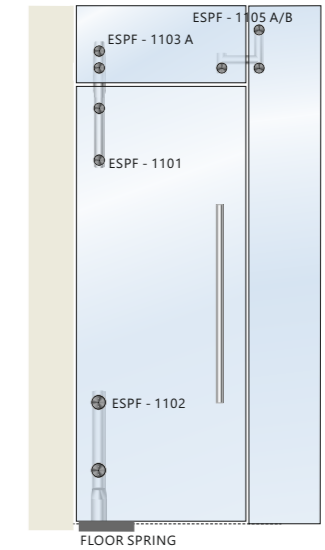
- For 10mm to 12mm Glass
- Material : Stainless Steel
- Finish : Satin Stainless Steel (SSS)

ESDH - 1410/1412/1415/1418/ 1424/1436/1448 Glass Door Handle

Glass Preparation



CODE	SIZE A	SIZE B	Ø C
ESDH-1410	250MM	270mm	20mm
ESDH-1412	300mm	320mm	20mm
ESDH-1415	375mm	395mm	20mm
ESDH-1418	450mm	475mm	25mm
ESDH-1424	600mm	625mm	25mm
ESDH-1436	900mm	925mm	25mm
ESDH-1448	1200mm	1225mm	25mm



Features :

- For 10mm to 12mm Glass
- Material : Stainless Steel
- Finish : Satin Stainless Steel (SSS)

★ CUSTOMISED FITTINGS FOR PROJECTS
We Are Able To Organise Special Purpose Fittings For Different Applications
(This Are Subject To Design, Quantity And Time Limitations.)

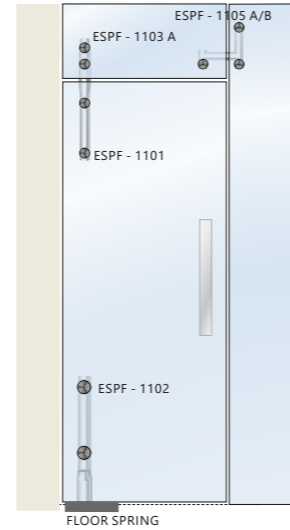
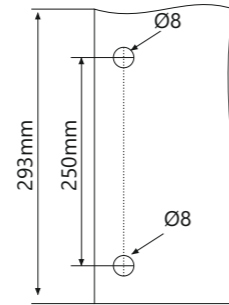
Glass Door Handle

ESDH - 102 Glass Door Handle



Features :

- For 10mm to 12mm Glass
- Material : Stainless Steel
- Size: 293mm
- Finish : Satin Stainless Steel (SSS)
- Glass to Glass Cutout 250mm

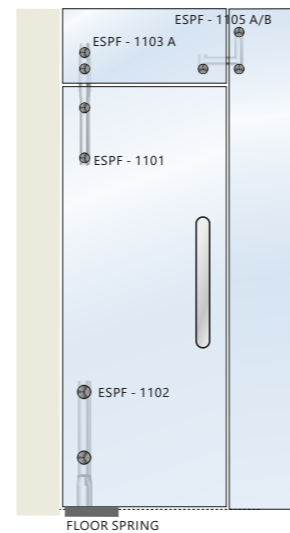
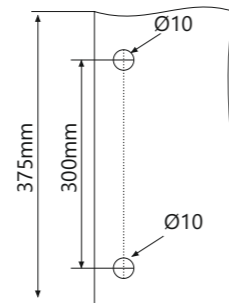


ESDH - 1515 Glass Door Handle Ø25mm



Features :

- Door Thickness 10mm to 12mm
- Size : 375mm.
- Finish : Satin Stainless Steel



Product Code	Page No.	Product Code	Page No.	Product Code	Page No.
ESH - 101	003	ESH - 1002	024	ESH - 2105	015
ESH - 102	004	ESH - 1101	030	ESH - 2107	016
ESH - 103	004	ESH - 1102	029	ESH - 3001	022
ESH - 104 A	005	ESH - 1107	030	ESH - 3002	022
ESH - 104 B	005	ESH - 1108	030	ESH - 7001	064
ESH - 105	003	ESH - 1109	031	ESH - 7002	065
ESH - 107	006	ESH - 1110	031	ESH - 7003	066
ESH - 201	008	ESH - 1111	032	ESH - 7004	065
ESH - 202	009	ESH - 1112	032	ESH - 7005	065
ESH - 203	009	ESH - 1113	032	ESH - 7006	065
ESH - 204	010	ESH - 1114	031	ESH - 7008	040
ESH - 205	008	ESH - 1201	011	ESH - 7009	066
ESH - 206	026	ESH - 1202	011	ESH - 7010	066
ESH - 207	010	ESH - 1203	012	ESH - 7011	066
ESH - 212	035	ESH - 1204	012	ESH - 7012	066
ESH - 213	035	ESH - 1207	013	ESH - 7013	038
ESH - 214	035	ESH - 1209	013	ESH - 8001	067
ESH - 215	036	ESH - 1210	014	ESH - 11212	036
ESH - 216	037	ESH - 1301	049	ESH - 11214	036
ESH - 217	037	ESH - 1302	049	ESH - 11216	037
ESH - 401	041	ESH - 1303	050	EH - 001	053
ESH - 401 A	041	ESH - 1304	050	EH - 002	053
ESH - 402	042	ESH - 1305	051	EH - 003	054
ESH - 403	042	ESH - 1306	051	EH - 005	056
ESH - 404	043	ESH - 1401	034	EH - 006	056
ESH - 405	043	ESH - 1402	034	EH - 007	056
ESH - 406	044	ESH - 1403	034	EH - 008	056
ESH - 411	045	ESH - 1601	028	EH - 009	056
ESH - 412	045	ESH - 1602	027	EH - 010	056
ESH - 413	046	ESH - 1607	028	EH - 011	056
ESH - 414	046	ESH - 1614	028	EH - 012	056
ESH - 415	047	ESH - 1701	018	EH - 013	054
ESH - 416	047	ESH - 1702	019	EH - 014	057
ESH - 418	048	ESH - 1703	019	EH - 015	057
ESH - 808	026	ESH - 1704	020	EH - 016	057
ESH - 901	023	ESH - 1705	018	Swift Rod - 001-Ø25	038
ESH - 902	023	ESH - 1707	020	Swift Rod - 002-Ø19	038
ESH - 903	033	ESH - 2101	015	Swift Rod - 003-Ø8	039
ESH - 1001	024	ESH - 2102	016	Swift Rod BD - 001-Ø25	039

Product Code	Page No.	Product Code	Page No.	Product Code	Page No.
Swift Rod - 007	040	EPF - 610	129	EPF - 745	163
EGP - 501	058	EPF - 611	128	EPF - 746	163
EGP - 502	058	EPF - 612	133	EPF - 747	176
EGP - 503	058	EPF - 613	132	EPF - 748	176
EGP - 504	059	EPF - 613 A	128	EPF - 749	164
EGP - 505	059	EPF - 614	132	EPF - 750	164
EGP - 506	059	EPF - 701	107	EPF - 752	112
EGP - 507	060	EPF - 702	107	EPF - 753	112
EGP - 508	060	EPF - 703 S	109	EPF - 754	165
EGP - 509	060	EPF - 703 P	109	EPF - 755	165
EGP - 510	061	EPF - 704	110	EPF - 756	166
EGP - 511	061	EPF - 705	110	EPF - 757	166
EGP - 512	061	EPF - 706	108	EPF - 758	167
EGP - 513	062	EPF - 707+708	111	EPF - 764	181
EGP - 514	062	EPF - 709	117	EPF - 764 A	182
EGP - 515	062	EPF - 710	118	EPF - 765	181
EPF - 301	153	EPF - 711	111	EPF - 766	168
EPF - 302	153	EPF - 712	108	EPF - 767	169
EPF - 303	154	EPF - 713	113	EPF - 768	169
EPF - 304	154	EPF - 714	113	EPF - 771	183
EPF - 306	155	EPF - 715 S/P	114	EPF - 772	183
EPF - 315	155	EPF - 715 O	114	EPF - 773	184
EPF - 316	156	EPF - 716	115	EPF - 774	184
EPF - 316 A	156	EPF - 716 A	115	EPF - 775	170
EPF - 401 A	151	EPF - 717	158	EPF - 776	170
EPF - 402 A	151	EPF - 718	158	EPF - 777	171
EPF - 403 A	152	EPF - 719	116	EPF - 778	171
EPF - 404 A	152	EPF - 719 A	116	EPF - 779	172
EPF - 601	125	EPF - 720	117	EPF - 780	172
EPF - 602	125	EPF - 724	119	EPF - 781	173
EPF - 603	126	EPF - 725	119	EPF - 782	173
EPF - 603 A	126	EPF - 735	159	EPF - 783	174
EPF - 604	127	EPF - 736	159	EPF - 784	182
EPF - 605	127	EPF - 737	160	EPF - 785	168
EPF - 606	130	EPF - 738	160	EPF - 786	174
EPF - 608	131	EPF - 741	161	EPF - 787	175
EPF - 608 A	131	EPF - 742	161	EPF - 788	175
EPF - 609 L	129	EPF - 743	162	EPF - 791	185
EPF - 609 R	130	EPF - 744	162	EPF - 792	185

Product Code	Page No.	Product Code	Page No.	Product Code	Page No.
EPF - 793	186	EHSL - 001	191	ESDH - 1424/1436	200
EPF - 794	186	EHSL - 002	191	ESDH - 1448	200
EPF - 797	188	EHSL - 003	191	ESDH - 102	201
EPF - 798	188	EHSL - 004	192	ESDH - 1515	201
EPF - 799	187	EHSL - 005	192	SGSF - 005	099
EPF - 800	189	EHSL - 014	192	SGSF - 007	071
EPF - 801	178	EHSL - 015	193	SGSF - 008 A	099
EPF - 802	179	EHSL - 016	193	SGSF - 008 C	071
EPF - 803	179	EHSL - 017	193	SGSF - 012	071
EPF - 804	180	EHSL - 018	194	SGSF - 012 A	079
EPF - 805	178	EHSL - 022	194	SGSF - 027	070
EPF - 806	187	EHSL - 023	194	SGSF - 028	071
EPF - 807	177	ESDH - 001	198	SGSF - 032	098
EPF - 808	177	ESDH - 002	198	SGSF - 033	099
EPF - 1706	121	ESDH - 003	198	SGSF - 034	102
EPF - 7001	120	ESDH - 004	197	SGSF - 035	091
EPF - 7002	120	ESDH - 005	197	SGSF - 036	079
ESPF - 1101	137	ESDH - 006	198	SGSF - 037	103
ESPF - 1102	137	ESDH - 1110	199	SGSF - 038 A	090
ESPF - 1103 A	140	ESDH - 1112	199	SGSF - 038 B	094
ESPF - 1103 B	140	ESDH - 1114	199	SGSF - 039	091
ESPF - 1104 A	139	ESDH - 1115	199	SGSF - 041	079
ESPF - 1104 B	141	ESDH - 1118	199	SGSF - 041 A	075
ESPF - 1105 A	139	ESDH - 1124	199	SGSF - 049	072
ESPF - 1105 B	141	ESDH - 1136	199	SGSF - 050	072
ESPF - 1105 C	142	ESDH - 1208	199	SGSF - 068	072
ESPF - 1105 D	142	ESDH - 1210	199	SGSF - 079	086
ESPF - 1105 E	143	ESDH - 1212	199	SGSF - 080	082
ESPF - 1107	144	ESDH - 1215	199	SGSF - 082	083
ESPF - 1108	144	ESDH - 1218	199	SGSF - 085	083
ESPF - 1109	145	ESDH - 1224	199	SGSF - 086	039
ESPF - 1111	143	ESDH - 1236	199	SGSF - 087	083
ESPF - 1112	145	ESDH - 1310	200	SGSF - 097	025
ESPF - 2101	149	ESDH - 1312	200	SGSF - 098	025
ESPF - 2102	149	ESDH - 1315	200	SGSF - 126	078
ESPF - 2103	150	ESDH - 1318	200	SGSF - 127	074
ESPF - 2104	150	ESDH - 1324/1336	200	SGSF - 128	079
ESPF - 3101	138	ESDH - 1410/1412	200	SGSF - 134	083
ESPF - 3102	138	ESDH - 1415/1418	200		

Information

The technical presentations and dimensions in illustrations and drawings are non binding. We reserve the right to make changes to specifications at any time. We do not accept any responsibility for any errors which may occur in the production of this catalogue.
All sizes in millimeter (mm).

The products in this list are the ones that are currently in the ENOX product range. Since our product range is updated frequently, please feel free contact us if you cannot find any particular information.

The printed colours indicating the surface finishes are not 100% true. but do provide a useful guide.

Pictures may show designs which are different to the scope of delivery.

Product prices are subject to change without prior notice.

Routine cleaning is essential, especially in environments that have elevated levels of atmospheric corrosion. Company has mechanism warranty not for Red spot or Rust, Proper care for your stainless steel door hardware will result in many years of durable use.

Water rusted Floor Spring has no warranty.

Legal Disclaimer

Whilst every effort has been made to ensure that the information contained in this brochure is accurate at the time of publication, ENOX recommends that you consult ENOX or its agents or its authorised dealer or its authorised distributor prior to placing an order to ascertain current information on specific product, as ENOX reserves the right to make changes without prior notice. ENOX will not be liable for any injury, loss or damage whatsoever, arising from any errors or omissions in the information contained in the brochure or arising from the use or application of the information contained herein. This brochure does not constitute an offer for the sale of any particular product.

MUMBAI

EcoStar, 11th Floor, 1101 / 1103,
Off Aarey Road, Vishweshwar Nagar
Goregoan (East), Mumbai - 400063,
Tel : +91-22-6180 5555
displaycentre@enox.in

PUNE

Sr. No.36, Hissa No.1, Plot No.11,
Village Pisoli Haveli Kondhwa,
Pune - 411 028, Maharashtra
Tel : +91-9702203659/63
displaycentre.pun@enox.in

SURAT

Plote No.11, 1St Floor, Shiv Ashish
Industrail Estate, Off Udhana/
Magadal Road, Nr.Hyundai Showrrom,
Surat, Gujarat
Tel : +91-8511148472
displaycentre.sur@enox.in

BENGALURU

#36/2, Third & Fourth Floor,
Patalamma Temple Street,
Near South-end Circle, Basavanagudi,
Bengaluru-560 004, Karnataka
Tel : +91-7207217088/92
displaycentre.blr@enox.in

HYDERABAD

2nd Floor, Alcazar Mall, Plot No. 497/498,
Road No. 36, Jubilee Hills,
Hyderabad-500 033, Telangana
Tel : +91-7207217085
displaycentre.hyd@enox.in

CHENNAI

23-2, Old No 39-2, Cenotaph Road,
1st Lane, Near to Crown Plaza Hotel,
Opp Canara Bank, Teynampet,
Chennai-600 018
Tel : +91-9940360525 / 9840330292
displaycentre.che@enox.in

Website

Android App

IOS App

